

50 Hz



e-SH Series

CENTRIFUGAL ELECTRIC PUMPS ACCORDING TO EN 733

MADE IN AISI 316 STAINLESS STEEL AND EQUIPPED WITH **IE3** MOTORS

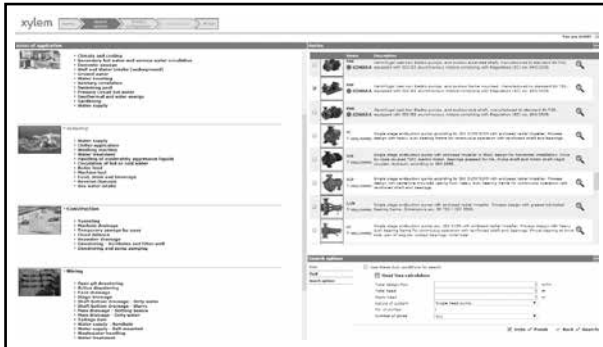
ErP 2009/125/EC

Xylect™

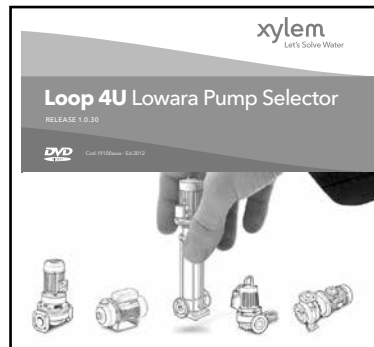
Xylect™ is a pump solution software with an extensive online database of product information across the entire range of pumps and related products, with multiple search options and helpful project management facilities. The system holds up-to-date product information on thousands of products and accessories.

Xylect™ can be available:

On the website – www.xylect.com



On DVD – Loop 4U



On Mobile Apps



For more information, please, see page 114-115.

Ecodesign Directive (ErP)

Over last decade the European Commission with the 'Energy Efficiency Plan' pushed the European Parliament and the Council to adopt specific measures to the purpose of reducing energy consumption and further negative environmental impacts.

Through the Directives 2005/32/EC, energy-using products (EuP), and 2009/125/EC, energy-related products (ErP) a framework for **ecodesign** requirements was established.

The Commission Regulations (EC) No 640/2009 and (EU) No 4/2014 have implemented two directives with regard to ecodesign requirements for **three-phase 50 Hz electric motors** placed on the market and put into service inside EU zone as self-alone units or integrated in other products.

This regulation states that motors must have **efficiency level IE3** (or IE2 + Variable Speed Drive) from **1st January 2015 for 7,5 to 375 kW** rated powers and from **1st January 2017 for 0,75 to 375 kW** ones.

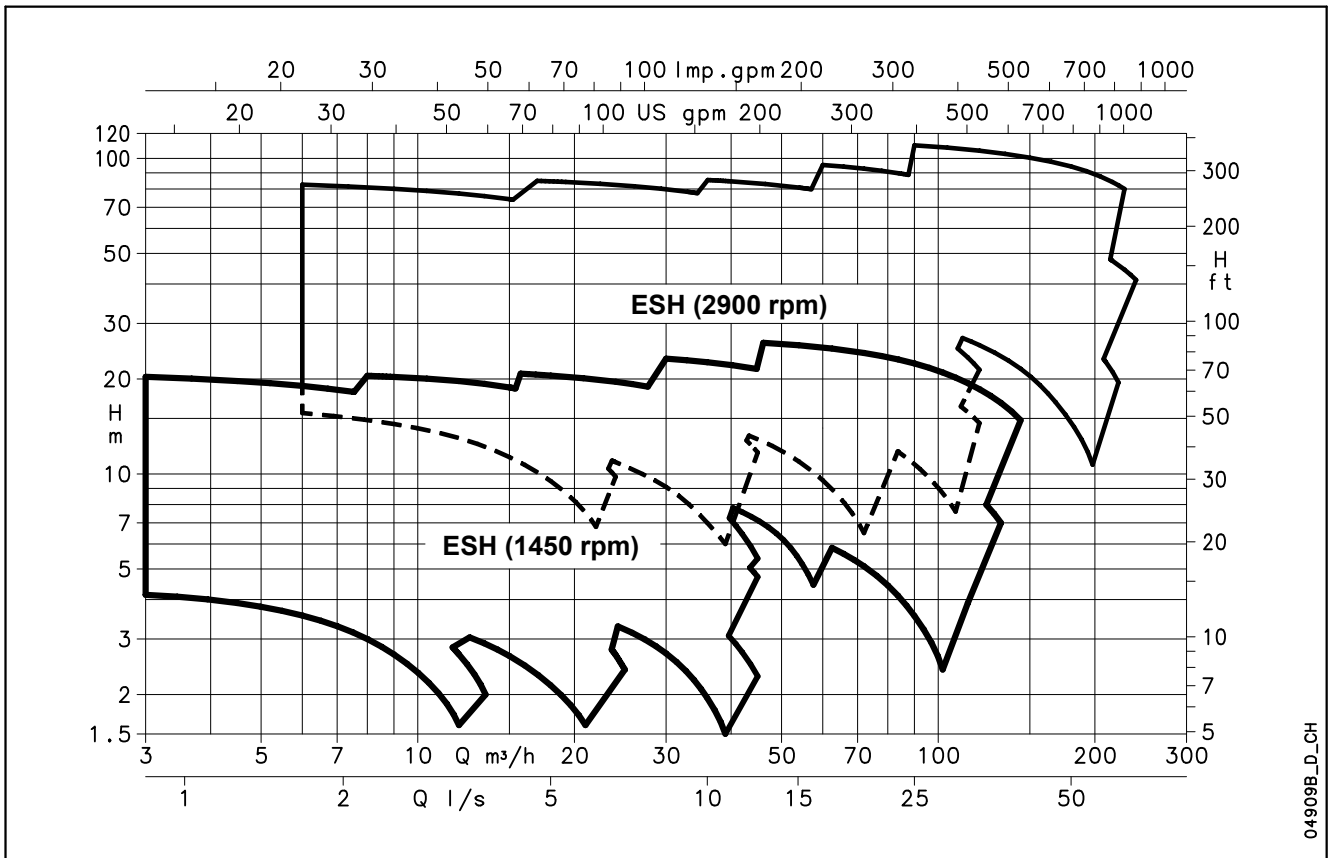
The Commission Regulation (EU) No 547/2012 has implemented two directives with regard to ecodesign requirements for some types of **clean water pumps** placed on the market and put into service inside EU zone as self-alone units or integrated in other products.

This regulation states that water pumps shall have **index MEI 0.4** as minimum from **1st January 2015**. That index comes from a dedicated formula which considers hydraulic efficiency values at 'best efficiency point' (BEP), 75 % of the flow at BEP (Part load – PL) and 110 % of the flow at BEP (Over load – OL).

The Lowara e-SH series, for the models in the scope of the regulations above, is ErP compliant, having an index MEI equal or higher than 0,4 and IE3 motor efficiency.

CONTENTS

General Introduction	5
Applications	6
Identification code	8
Rating plate	9
List of Models at 50 Hz, 2 poles	10
List of Models at 50 Hz, 4 poles	11
Pump cross-section and main components	12
Mechanical seals	17
Motors (ErP 2009/125/EC)	18
Pumps (ErP 2009/125/EC)	26
Minimum efficiency index (MEI)	27
Hydraulic performance range at 50 Hz, 2 poles	28
Table of hydraulic performances at 50 Hz, 2 poles	29
Hydraulic performance range at 50 Hz, 4 poles	31
Table of hydraulic performances at 50 Hz, 4 poles	32
Operating characteristics at 50 Hz, 2 poles	35
Operating characteristics at 50 Hz, 4 poles	57
Dimensions and weights	79
ESH..H (ESH with HYDROVAR)	96
Accessories	99
Report and declarations	104
Technical appendix	107

e-SH SERIES
HYDRAULIC PERFORMANCE RANGE AT 50 Hz


04909B_D_CH

e-SH SERIES

GENERAL INTRODUCTION

The new and improved **Lowara e-SH Series** is a high performance stainless steel centrifugal end-suction electro-pump with single stage, axial flanged suction port, radial flanged discharge, and horizontal shaft. The **e-SH** is fully made in **AISI 316 stainless steel** which makes it suitable for handling water as well as non-aggressive or moderately aggressive fluids.

The pumps are equipped with interchangeable mechanical seals, **IE3 efficiency motors**, and have a back pull-out design (impeller, bracket and motor can be extracted without disconnecting the pump body from the piping). The **e-SH** series pumps are available in the following constructions:

Extended shaft

Close-coupled by means of an adaptor bracket with an impeller keyed directly to the special motor shaft extension.



Frame mounted

Flexible-coupled with bracket, support, flexing coupling (special version with spacer on demand), aligning and anchoring base.



Stub shaft

Rigid-coupled with a bracket, an adaptor and a rigid coupling keyed to the standard motor shaft extension.



Bare shaft pump

Version without driver suitable to be coupled with a standard electric motor.



Hydraulic specifications

- Maximum delivery: up to **240** m³/h for 2 poles range.
up to **130** m³/h for 4 poles range.
- Maximum head: up to **110** m for 2 poles range.
up to **23** m for 4 poles range.
- Hydraulic performance compliant with ISO 9906:2012 – Grade 3B.
- Fluid temperature range:
standard version (with gaskets in FPM*)
-10 to +120 °C
versions on request (with gaskets in EPDM)
-30 to +120 °C.
- Maximum operating pressure:
12 bar @ 50 °C and **10 bar @ 120 °C**

* Fluoro-elastomer: FPM (old ISO), FKM (ASTM & new ISO).

Motor specifications

- Squirrel cage in short circuit enclosed construction with external ventilation (TEFC).
- 2-pole and 4-pole ranges.
- **IP55** protection degree as motor (EN 60034-5), IPX5 as electro-pump (EN 60529).
- Performances according to EN 60034-1.
- **IE3** efficiency level (three-phase 0,75 to 75 kW).
- **155 (F)** insulation class.
- Standard voltage:
1 x 220-240 V 50 Hz for power up to 2,2 kW
3 x 220-240/380-415 V 50 Hz for power up to 3 kW
3 x 380-415/660-690 V 50 Hz for power above 3 kW
- Maximum ambient temperature: 40 °C.

Note

- Anti-clockwise rotation when facing pump's suction port.
- Pump does not include counter-flanges.

List of the Directives

- Machinery Directive MD 2006/42/EC
- Connection dimensions according to EN 733 (except for ESH 25 models)
- Electromagnetic Compatibility Directive EMC 2004/108/EC
- Ecodesign requirements for energy-related products ErP 2009/125/EC, Regulation (EC) No 640/2009, Regulation (EU) No 4/2014, Regulation (EU) No 547/2012

and the main technical norms

- EN 809, EN 60204-1 (safety)
- EN 1092-2 (flanges)
- EN 61000-6-1, EN 61000-6-3
- EN 60034-30:2009, IEC 60034-30:2014 (electric motors)

e-SH SERIES COMMERCIAL BUILDING SERVICES (CBS) APPLICATIONS & BENEFITS

Applications

The **Lowara e-SH Series** is suitable for many different applications demanding reliable and efficient products that require constant or variable duty points in cost saving operation.

The Lowara e-SH Series can be used for the following CBS applications:

- **HVAC**
 - Liquid transfer in heating and air-conditioning systems.
 - Liquid transfer in ventilation systems.
 - Liquid transfer with mildly aggressive liquids or environment.
- **Water Supply**
 - Pressure boosting in commercial buildings.
 - Irrigation systems.
 - Water transfer for green houses.
- **Diverse OEM applications**



Benefits

The Lowara e-SH Series permit to achieve the following benefits.

- **Performances:** the e-SH pumps are ErP 2015 compliant, equipped with IE3 motors and provide improved performance vs. the current SH series of pumps. Its AISI 316 material configuration makes it ideal for pumping mildly aggressive liquids or pumping in aggressive environment. With a standard version designed for up to PN12 pressure rating, 120 °C maximum fluid temperature, and FPM elastomer, and easy maintenance, the e-SH provides the solution to many CBS needs.
- **Reliability:** the high quality in production, the robust construction and operation, the easily interchangeable mechanical seals, and wear rings guarantee a continuous operation without faults and a shorter down time for maintenance.
- **Total cost ownership:** the best hydraulic and electric efficiency, the HYDROVAR -equipped versions, the easy and quick maintenance, permit to reduce the operation and maintenance cost and to save energy when the pump is working.
- **Pre-post sales support:** we are continuously working close to our customers to help them in selecting the right pump for the specific application. An improved user-friendly selection software improved with many selection tools is available on the website, on DVD or on Apps for mobile phones. Experienced engineers are fully dedicated to big projects for Municipality.

Features

- Sizes DN25 to DN80.
- Wide performance range up to 110 m head and 240 m³/h flow.
- Nominal pressure of 12 bar.
- Wide range of temperatures for pumped liquids: -30°C to +120°C.
- Wide range of materials for many different kinds of pumped liquid.
- Wide range of voltages.
- High performance IE3 motors.
- Variable speed by optional HYDROVAR drive.
- Wear rings in AISI 316L stainless steel on the front and rear shim washers of the impeller.

e-SH SERIES for INDUSTRY APPLICATIONS & BENEFITS

Applications

The Lowara e-SH Series is suitable for many different applications demanding reliable and efficient products. The reliability, robustness, and AISI 316 material configuration of the e-SH series makes it ideal for use in aggressive environments or for pumping of mildly aggressive fluids. Finally the e-SH series compactness and reliability allows for use in diverse OEM applications.

The Lowara e-SH Series can be used for the following Industry applications:

- **Process**
 - Process cooling and Process heating
 - Heat recovery
- **Water Supply**
 - Pressure boosting
 - Irrigation systems
 - Water transfer for green houses
 - Liquid transfer with mildly aggressive liquids or environment.
- **Water treatment**
 - Washing and cleaning
 - Water treatment.
- **Diverse OEM applications**

Benefits

The Lowara e-SH Series permit to achieve the following benefits:

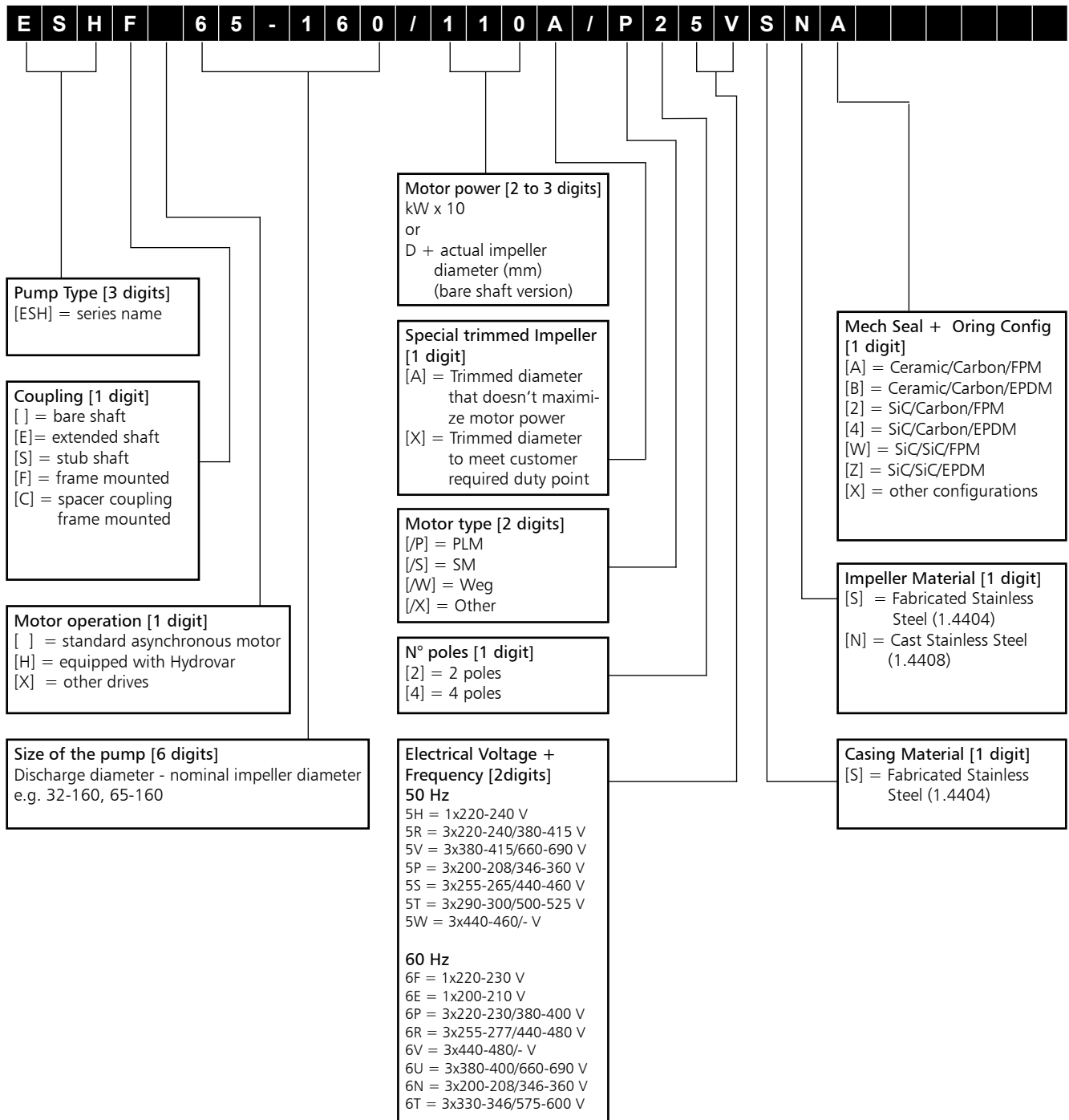
- **Performances:** the e-SH pumps are ErP 2015 compliant, equipped with IE3 motors and provide improved performance vs. the current SH series of pumps. Its AISI 316 material configuration makes it ideal for pumping mildly aggressive liquids or pumping in aggressive environment. With a standard version designed for up to PN12 pressure rating, 120 °C maximum fluid temperature, an FPM elastomer, and with easy maintenance, the e-SH provides the solution to many Industry needs.
- **Reliability:** the high quality in production, the robust construction and operation, the easily interchangeable mechanical seals, and wear rings guarantee a continuous operation without faults and a shorter down time for maintenance.
- **Know How:** the perfect configuration for an application can be made with the selection tool or with the support of our industrial experienced employees.
- **Pre- and post-sales support:** we are continuously working close to our customers to help them in selecting the right pump for the specific application. An improved user-friendly selection software improved with many selection tools is available on the website, on DVD or on Apps for mobile phones. Experienced engineers are fully dedicated to big projects for Municipality.

Features

- Sizes DN25 to DN80.
- Wide performance range up to 110 m head and 240 m³/h flow.
- Nominal pressure 12 bar.
- Wide range of temperatures for pumped liquids: -30°C to +120°C.
- Wide range of materials for many different kinds of pumped liquid.
- Wide range of voltages.
- High performance IE3 motors.
- Variable speed by optional HYDROVAR drive.
- Wear rings in AISI 316L stainless steel on the front and rear shim washers of the impeller.



ESH SERIES IDENTIFICATION CODE



EXAMPLES

ESH80-200/300/W25VSN

End-suction, electric pump with stub shaft coupling, DN 80 nominal discharge port, 200 mm nominal impeller diameter, 30 kW rated motor power, WEG IE3 model, 2-pole, 50 Hz 380-415/660-690 V, fabricated stainless steel casing, cast stainless steel impeller, Ceramic/Carbon/FPM mechanical seal.

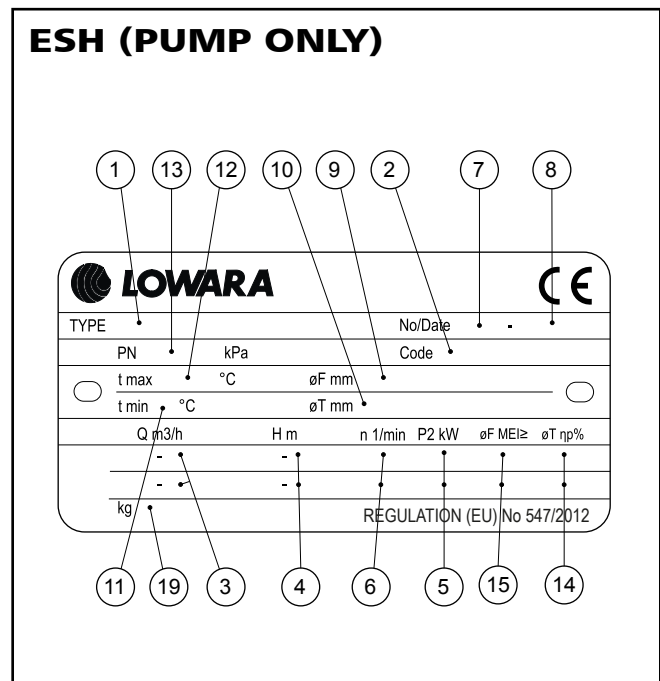
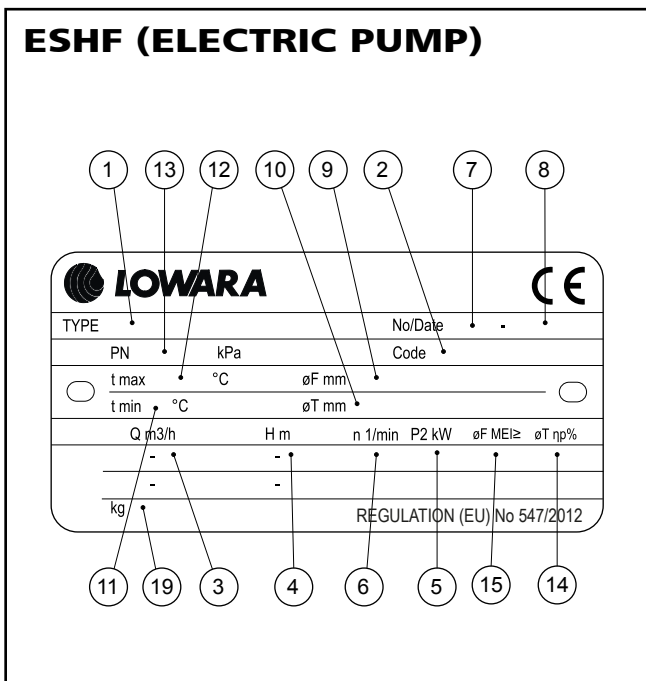
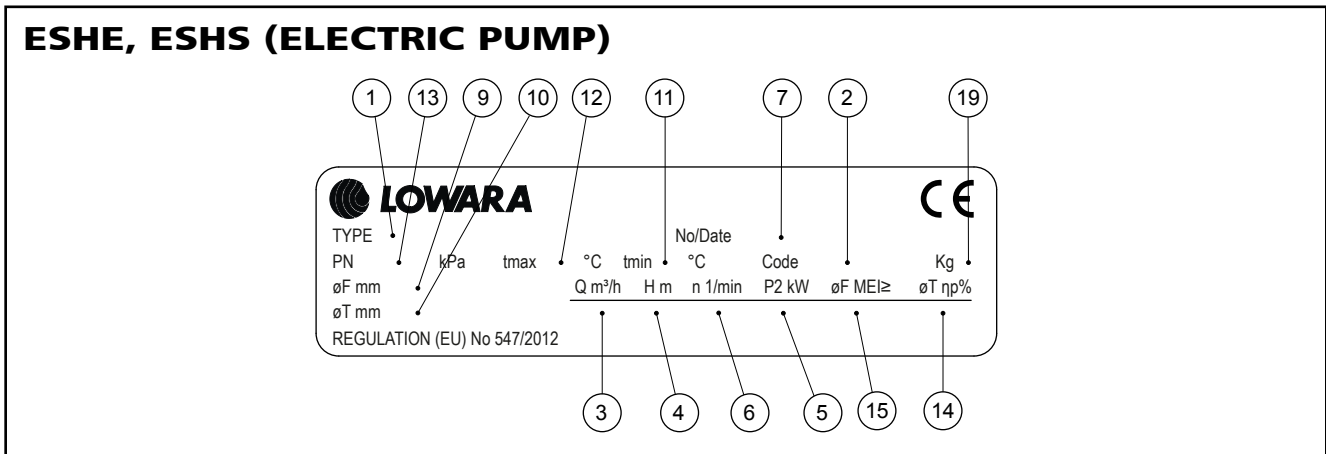
ESHF 80-160/22A/P45RSNA

End-suction, electric pump with frame mounted coupling, DN 80 nominal discharge port, 160 mm nominal impeller diameter, 2,2 kW rated motor power, trimmed impeller, PLM IE3 model, 4-pole, 50 Hz 220-240/380-415 V, fabricated stainless steel casing, cast stainless steel impeller, Ceramic/Carbon/FPM mechanical seal.

ESH 50-250/D224SSA

End-suction, bare shaft pump, DN 50 nominal discharge port, 250 mm nominal impeller diameter, 224 mm actual impeller diameter, fabricated stainless steel casing, fabricated stainless steel impeller, Ceramic/Carbon/FPM mechanical seal.

ESH SERIES RATING PLATE



LEGEND

- | | |
|---|--|
| <ul style="list-style-type: none"> 1 - Pump / Electric pump unit type 2 - Pump / Electric pump unit code 3 - Flow range 4 - Head range 5 - Nominal or maximum pump power 6 - Speed 7 - Serial number or order number 8 - Order position number 9 - Full impeller diameter (only filled in for trimmed impellers) | <ul style="list-style-type: none"> 10 - Trimmed impeller diameter (only filled-in for models with trimmed impellers) 11 - Minimum operating liquid temperature 12 - Maximum operating liquid temperature 13 - Maximum operating pressure 14 - Hydraulic efficiency in best efficiency point 15 - Minimum efficiency index MEI (Regulation (EU) No 547/2012) 19 - Weight |
|---|--|

ESH SERIES

LIST OF MODELS AT 50 Hz, 2 POLES

SIZE ESH..2	kW	VERSION				
		ESHE..M	ESHE	ESHS	ESHF	ESHC
25-125/07	0,75	•	•	•	•	-
25-125/11	1,1	•	•	•	•	-
25-160/15	1,5	•	•	•	•	-
25-160/22	2,2	•	•	•	•	-
25-200/30	3	-	•	•	•	-
25-200/40	4	-	•	•	•	-
25-250/55	5,5	-	•	•	•	-
25-250/75	7,5	-	•	•	•	-
25-250/110	11	-	•	•	•	-
32-125/07	0,75	•	•	•	•	•
32-125/11	1,1	•	•	•	•	•
32-160/15	1,5	•	•	•	•	•
32-160/22	2,2	•	•	•	•	•
32-200/30	3	-	•	•	•	•
32-200/40	4	-	•	•	•	•
32-250/55	5,5	-	•	•	•	•
32-250/75	7,5	-	•	•	•	•
32-250/110	11	-	•	•	•	•
40-125/11	1,1	•	•	•	•	•
40-125/15	1,5	•	•	•	•	•
40-125/22	2,2	•	•	•	•	•
40-160/30	3	-	•	•	•	•
40-160/40	4	-	•	•	•	•
40-200/55	5,5	-	•	•	•	•
40-200/75	7,5	-	•	•	•	•
40-250/92	9,2	-	•	-	-	-
40-250/110A	11	-	-	•	•	•
40-250/110	11	-	•	•	•	•
40-250/150	15	-	•	•	•	•
50-125/22	2,2	•	•	•	•	•
50-125/30	3	-	•	•	•	•
50-125/40	4	-	•	•	•	•
50-160/55	5,5	-	•	•	•	•
50-160/75	7,5	-	•	•	•	•
50-200/92	9,2	-	•	-	-	-
50-200/110A	11	-	-	•	•	•
50-200/110	11	-	•	•	•	•
50-250/150	15	-	•	•	•	•
50-250/185	18,5	-	•	•	•	•
50-250/220	22	-	•	•	•	•

SIZE ESH..2	kW	VERSION				
		ESHE..M	ESHE	ESHS	ESHF	ESHC
65-160/40	4	-	•	•	•	•
65-160/55	5,5	-	•	•	•	•
65-160/75	7,5	-	•	•	•	•
65-160/92	9,2	-	•	-	-	-
65-160/110A	11	-	-	•	•	•
65-160/110	11	-	•	•	•	•
65-200/150	15	-	•	•	•	•
65-200/185	18,5	-	•	•	•	•
65-200/220	22	-	•	•	•	•
65-250/300	30	-	-	•	•	•
65-250/370	37	-	-	•	•	•
80-160/110	11	-	•	•	•	•
80-160/150	15	-	•	•	•	•
80-160/185	18,5	-	•	•	•	•
80-200/220	22	-	•	•	•	•
80-200/300	30	-	-	•	•	•
80-200/370	37	-	-	•	•	•
80-250/450	45	-	-	-	•	•
80-250/550	55	-	-	-	•	•
80-250/750	75	-	-	-	•	•

• = Available

ESH_models-2p50-en_a_sc

LEGEND

ESHE..M : Close-coupled version with single-phase motor.

ESHE : Close-coupled version.

ESHS : Close-coupled version with rigid coupling and standardised motor.

ESHF : Version with elastic coupling, support, base and standardised motor.

ESHC : Version with elastic coupling and spacer, support, base and standardised motor.

ESH SERIES

LIST OF MODELS AT 50 Hz, 4 POLES

SIZE	kW	VERSION			
		ESH..4	ESHE	ESHS	ESHF
25-125/02A	0,25	•	-	•	-
25-125/02	0,25	•	-	•	-
25-160/02A	0,25	•	-	•	-
25-160/02	0,25	•	-	•	-
25-200/03	0,37	•	-	•	-
25-200/05	0,55	•	-	•	-
25-250/07	0,75	•	•	•	-
25-250/11	1,1	•	•	•	-
25-250/15	1,5	•	•	•	-
32-125/02A	0,25	•	-	•	-
32-125/02	0,25	•	-	•	-
32-160/02A	0,25	•	-	•	-
32-160/02	0,25	•	-	•	-
32-200/03	0,37	•	-	•	-
32-200/05	0,55	•	-	•	-
32-250/07	0,75	•	•	•	-
32-250/11	1,1	•	•	•	-
32-250/15	1,5	•	•	•	-
40-125/02A	0,25	•	-	•	-
40-125/02	0,25	•	-	•	-
40-160/03	0,37	•	-	•	-
40-160/05	0,55	•	-	•	-
40-200/07	0,75	•	•	•	-
40-200/11	1,1	•	•	•	-
40-250/11	1,1	•	•	•	-
40-250/15	1,5	•	•	•	-
40-250/22	2,2	•	•	•	-
50-125/02	0,25	•	-	•	-
50-125/03	0,37	•	-	•	-
50-125/05	0,55	•	-	•	-
50-160/07	0,75	•	•	•	-
50-160/11	1,1	•	•	•	-
50-200/11	1,1	•	•	•	-
50-200/15	1,5	•	•	•	-
50-250/22A	2,2	•	•	•	-
50-250/22	2,2	•	•	•	-
50-250/30	3	•	•	•	-

SIZE	kW	VERSION			
		ESH..4	ESHE	ESHS	ESHF
65-200/15	1,5	•	•	•	-
65-200/22	2,2	•	•	•	-
65-200/30	3	•	•	•	-
65-250/40	4	•	•	•	-
65-250/55	5,5	•	•	•	-
80-160/15	1,5	•	•	•	-
80-160/22A	2,2	•	•	•	-
80-160/22	2,2	•	•	•	-
80-200/30	3	•	•	•	-
80-200/40	4	•	•	•	-
80-250/55	5,5	•	•	•	-
80-250/75	7,5	•	•	•	-
80-250/110	11	•	•	•	-

• = Available

ESH_models-4p50-en_a_sc

ESHE SERIES

ELECTRIC PUMP CROSS-SECTION AND MAIN COMPONENTS

04906_B_DS

(ESHE) VERSIONS	
2 POLES	4 POLES
25-125/07	25-200/05
25-125/11	25-250/07
25-160/15	25-250/11
25-160/22	25-250/15
25-200/30	32-200/05
25-200/40	32-250/07
25-250/55	32-250/11
25-250/75	32-250/15
25-250/110	40-160/05
32-125/07	40-200/07
32-125/11	40-200/11
32-160/15	40-250/11
32-160/22	40-250/15
32-200/30	40-250/22
32-200/40	50-125/05
32-250/55	50-160/07
32-250/75	50-160/11
32-250/110	50-200/11
40-125/11	50-200/15
40-125/15	50-250/22A
40-125/22	50-250/22
40-160/30	50-250/30
40-160/40	65-200/15
40-200/55	65-200/22
40-200/75	65-200/30
40-250/92	65-250/40
40-250/110	65-250/55
50-125/22	80-160/15
50-125/30	80-160/22A
50-125/40	80-160/22
50-160/55	80-200/30
50-160/75	80-200/40
50-200/92	80-250/55
50-200/110	80-250/75
65-160/40	
65-160/55	
65-160/75	
65-160/92	
65-160/110	
80-160/110	

ESHE-p-en_a_mo

REF. N.	NAME	MATERIAL	REFERENCE STANDARDS	
			EUROPE	USA
1	Pump body	Stainless steel	EN 10088-1-X2CrNiMo17-12-2 (1.4404)	AISI 316L
2	Impeller 25-32-40-50-65(160)**	Stainless steel	EN 10088-1-X2CrNiMo17-12-2 (1.4404)	AISI 316L
	Impeller 65(160)***, 65(200-250)-80	Stainless steel	EN 10213-4-GX5CrNiMo19-11-2 (1.4408)	ASTM CF8M (cast AISI 316)
3	Seal housing	Stainless steel	EN 10088-1-X2CrNiMo17-12-2 (1.4404)	AISI 316L
4	Wear ring	Stainless steel	EN 10088-1-X2CrNiMo17-12-2 (1.4404)	AISI 316L
5	Counterwear ring	Stainless steel	EN 10088-1-X2CrNiMo17-12-2 (1.4404)	AISI 316L
6	Shaft extension	Stainless steel	EN 10088-1-X5CrNiMo17-12-2 (1.4401)	AISI 316
7	Rigid shaft coupling	Stainless steel	EN 10088-1-X5CrNiMo17-12-2 (1.4401)	AISI 316
8	Impeller locknut and washer	Stainless steel	EN 10088-1-X5CrNiMo17-12-2 (1.4401)	AISI 316
9	Tab	Stainless steel	EN 10088-1-X2CrNiMo17-12-2 (1.4404)	AISI 316L
10	Fill/drain plugs	Stainless steel	EN 10088-1-X5CrNiMo17-12-2 (1.4401)	AISI 316
11	Mechanical seal	Ceramic / Carbon / FPM (standard version)		
12	Elastomers	FPM (standard version)		
13	Adapter *	Aluminium	EN 1706-AC-AISI11Cu2 (Fe) (AC46100)	-
	Adapter	Cast iron	EN 1561-GJL-200 (JL1030)	ASTM Class 25
15	Pump body fastening bolts & screws	Galvanized steel		

* 2/4 pole: 25/32/40-125, 25/32/40-160, 25/32/40-200

** 2 pole: 65-160/40, 65-160/55, 65-160/75

*** 2 pole: 65-160/92, 65-160/110A, 65-160/110

ESHE SERIES

ELECTRIC PUMP CROSS-SECTION AND MAIN COMPONENTS

<p>04902_B_DS</p>	<table border="1" style="width: 100%; border-collapse: collapse; text-align: center;"> <thead> <tr> <th colspan="2">(ESHE) VERSIONS</th> </tr> <tr> <th>2 POLES</th> <th>4 POLES</th> </tr> </thead> <tbody> <tr><td>40-250/150</td><td>80-250/110</td></tr> <tr><td>50-250/150</td><td></td></tr> <tr><td>50-250/185</td><td></td></tr> <tr><td>50-250/220</td><td></td></tr> <tr><td>65-200/150</td><td></td></tr> <tr><td>65-200/185</td><td></td></tr> <tr><td>65-200/220</td><td></td></tr> <tr><td>80-160/150</td><td></td></tr> <tr><td>80-160/185</td><td></td></tr> <tr><td>80-200/220</td><td></td></tr> </tbody> </table> <p style="text-align: right; font-size: small;">ESHE-s-en_a_mo</p>	(ESHE) VERSIONS		2 POLES	4 POLES	40-250/150	80-250/110	50-250/150		50-250/185		50-250/220		65-200/150		65-200/185		65-200/220		80-160/150		80-160/185		80-200/220	
(ESHE) VERSIONS																									
2 POLES	4 POLES																								
40-250/150	80-250/110																								
50-250/150																									
50-250/185																									
50-250/220																									
65-200/150																									
65-200/185																									
65-200/220																									
80-160/150																									
80-160/185																									
80-200/220																									
	<table border="1" style="width: 100%; border-collapse: collapse; text-align: center;"> <thead> <tr> <th colspan="2">(ESHE) VERSIONS</th> </tr> <tr> <th colspan="2">4 POLES</th> </tr> </thead> <tbody> <tr><td>25-125/02A</td><td>40-125/02A</td></tr> <tr><td>25-125/02</td><td>40-125/02</td></tr> <tr><td>25-160/02A</td><td>40-160/03</td></tr> <tr><td>25-160/02</td><td>50-125/02</td></tr> <tr><td>25-200/03</td><td>50-125/03</td></tr> <tr><td>32-125/02A</td><td></td></tr> <tr><td>32-125/02</td><td></td></tr> <tr><td>32-160/02A</td><td></td></tr> <tr><td>32-160/02</td><td></td></tr> <tr><td>32-200/03</td><td></td></tr> </tbody> </table> <p style="text-align: right; font-size: small;">ESHE4-p-en_a_mo</p>	(ESHE) VERSIONS		4 POLES		25-125/02A	40-125/02A	25-125/02	40-125/02	25-160/02A	40-160/03	25-160/02	50-125/02	25-200/03	50-125/03	32-125/02A		32-125/02		32-160/02A		32-160/02		32-200/03	
(ESHE) VERSIONS																									
4 POLES																									
25-125/02A	40-125/02A																								
25-125/02	40-125/02																								
25-160/02A	40-160/03																								
25-160/02	50-125/02																								
25-200/03	50-125/03																								
32-125/02A																									
32-125/02																									
32-160/02A																									
32-160/02																									
32-200/03																									

REF. N.	NAME	MATERIAL	REFERENCE STANDARDS	
			EUROPE	USA
1	Pump body	Stainless steel	EN 10088-1-X2CrNiMo17-12-2 (1.4404)	AISI 316L
2	Impeller 25-32-40-50-65(160)**	Stainless steel	EN 10088-1-X2CrNiMo17-12-2 (1.4404)	AISI 316L
	Impeller 65(160)***, 65(200-250)-80	Stainless steel	EN 10213-4-GX5CrNiMo19-11-2 (1.4408)	ASTM CF8M (cast AISI 316)
3	Seal housing	Stainless steel	EN 10088-1-X2CrNiMo17-12-2 (1.4404)	AISI 316L
4	Wear ring	Stainless steel	EN 10088-1-X2CrNiMo17-12-2 (1.4404)	AISI 316L
5	Counterwear ring	Stainless steel	EN 10088-1-X2CrNiMo17-12-2 (1.4404)	AISI 316L
6	Shaft extension	Stainless steel	EN 10088-1-X5CrNiMo17-12-2 (1.4401)	AISI 316
7	Rigid shaft coupling	Stainless steel	EN 10088-1-X5CrNiMo17-12-2 (1.4401)	AISI 316
8	Impeller locknut and washer	Stainless steel	EN 10088-1-X5CrNiMo17-12-2 (1.4401)	AISI 316
9	Tab	Stainless steel	EN 10088-1-X2CrNiMo17-12-2 (1.4404)	AISI 316L
10	Fill/drain plugs	Stainless steel	EN 10088-1-X5CrNiMo17-12-2 (1.4401)	AISI 316
11	Mechanical seal	Ceramic / Carbon / FPM (standard version)		
12	Elastomers	FPM (standard version)		
13	Adapter *	Aluminium	EN 1706-AC-AISI11Cu2 (Fe) (AC46100)	-
	Adapter	Cast iron	EN 1561-GJL-200 (JL1030)	ASTM Class 25
15	Pump body fastening bolts & screws	Galvanized steel		

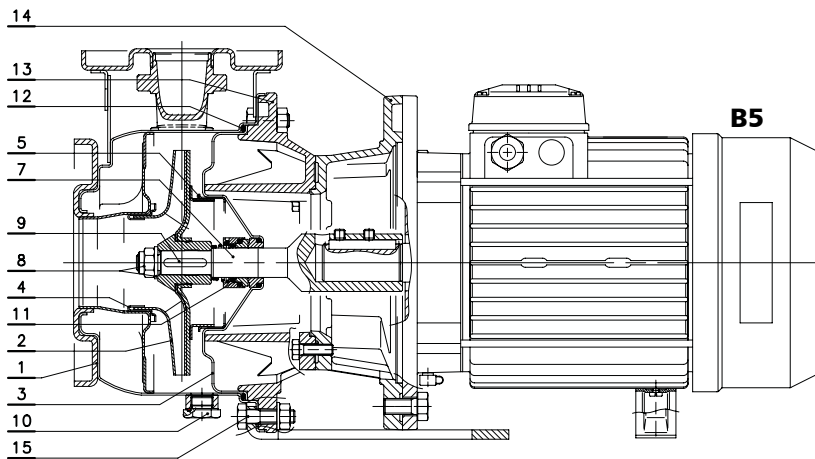
* 2/4 pole: 25/32/40-125, 25/32/40-160, 25/32/40-200

** 2 pole: 65-160/40, 65-160/55, 65-160/75

*** 2 pole: 65-160/92, 65-160/110A, 65-160/110

ESHS SERIES ELECTRIC PUMP CROSS-SECTION AND MAIN COMPONENTS

04956_C_DS



(ESHS) VERSIONS	
2 POLES	4 POLES
25-125/07	25-250/07
25-125/11	25-250/11
25-160/15	25-250/15
25-160/22	32-250/07
25-200/30	32-250/11
25-200/40	32-250/15
25-250/55	40-200/07
25-250/75	40-200/11
32-125/07	40-250/11
32-125/11	40-250/15
32-160/15	40-250/22
32-160/22	50-160/07
32-200/30	50-160/11
32-200/40	50-200/11
32-250/55	50-200/15
32-250/75	50-250/22A
40-125/11	50-250/22
40-125/15	50-250/30
40-125/22	65-200/15
40-160/30	65-200/22
40-160/40	65-200/30
40-200/55	65-250/40
40-200/75	65-250/55
50-125/22	80-160/15
50-125/30	80-160/22A
50-125/40	80-160/22
50-160/55	80-200/30
50-160/75	80-200/40
65-160/40	80-250/55
65-160/55	80-250/75
65-160/75	

ESHS-p-en_a_mo

REF. N.	NAME	MATERIAL	REFERENCE STANDARDS	
			EUROPE	USA
1	Pump body	Stainless steel	EN 10088-1-X2CrNiMo17-12-2 (1.4404)	AISI 316L
2	Impeller 25-32-40-50-65(160)**	Stainless steel	EN 10088-1-X2CrNiMo17-12-2 (1.4404)	AISI 316L
	Impeller 65(160)***, 65(200-250)-80	Stainless steel	EN 10213-4-GX5CrNiMo19-11-2 (1.4408)	ASTM CF8M (cast AISI 316)
3	Seal housing	Stainless steel	EN 10088-1-X2CrNiMo17-12-2 (1.4404)	AISI 316L
4	Wear ring	Stainless steel	EN 10088-1-X2CrNiMo17-12-2 (1.4404)	AISI 316L
5	Counterwear ring	Stainless steel	EN 10088-1-X2CrNiMo17-12-2 (1.4404)	AISI 316L
7	Rigid shaft coupling	Stainless steel	EN 10088-1-X5CrNiMo17-12-2 (1.4401)	AISI 316
8	Impeller locknut and washer	Stainless steel	EN 10088-1-X5CrNiMo17-12-2 (1.4401)	AISI 316
9	Tab	Acciaio inox	EN 10088-1-X2CrNiMo17-12-2 (1.4404)	AISI 316L
10	Fill/drain plugs	Stainless steel	EN 10088-1-X5CrNiMo17-12-2 (1.4401)	AISI 316
11	Mechanical seal	Ceramic / Carbon / FPM (standard version)		
12	Elastomers	FPM (standard version)		
13	Adapter *	Aluminium	EN 1706-AC-AISi11Cu2 (Fe) (AC46100)	-
	Adapter	Cast iron	EN 1561-GJL-200 (JL1030)	ASTM Class 25
14	Adapter motor coupling	Cast iron	EN 1561-GJL-200 (JL1030)	ASTM Class 25
15	Pump body fastening bolts & screws	Galvanized steel		

* 2/4 pole: 25/32/40-125, 25/32/40-160, 25/32/40-200

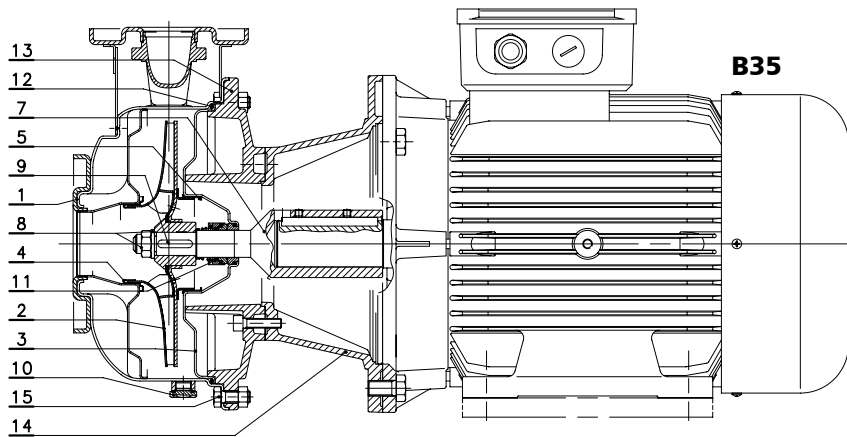
** 2 pole: 65-160/40, 65-160/55, 65-160/75

*** 2 pole: 65-160/92, 65-160/110A, 65-160/110

ESHS-en_a_tm

ESHS SERIES ELECTRIC PUMP CROSS-SECTION AND MAIN COMPONENTS

04952_B_DS



(ESHS) VERSIONS	
2 POLES	4 POLES
25-250/110	80-250/110
32-250/110	
40-250/110A	
40-250/110	
40-250/150	
50-200/110A	
50-200/110	
50-250/150	
50-250/185	
50-250/220	
65-160/110A	
65-160/110	
65-200/150	
65-200/185	
65-200/220	
65-250/300	
65-250/370	
80-160/110	
80-160/150	
80-160/185	
80-200/220	
80-200/300	
80-200/370	

ESHS-s-en_a_mo

REF. N.	NAME	MATERIAL	REFERENCE STANDARDS	
			EUROPE	USA
1	Pump body	Stainless steel	EN 10088-1-X2CrNiMo17-12-2 (1.4404)	AISI 316L
2	Impeller 25-32-40-50-65(160)**	Stainless steel	EN 10088-1-X2CrNiMo17-12-2 (1.4404)	AISI 316L
	Impeller 65(160)***, 65(200-250)-80	Stainless steel	EN 10213-4-GX5CrNiMo19-11-2 (1.4408)	ASTM CF8M (cast AISI 316)
3	Seal housing	Stainless steel	EN 10088-1-X2CrNiMo17-12-2 (1.4404)	AISI 316L
4	Wear ring	Stainless steel	EN 10088-1-X2CrNiMo17-12-2 (1.4404)	AISI 316L
5	Counterwear ring	Stainless steel	EN 10088-1-X2CrNiMo17-12-2 (1.4404)	AISI 316L
7	Rigid shaft coupling	Stainless steel	EN 10088-1-X5CrNiMo17-12-2 (1.4401)	AISI 316
8	Impeller locknut and washer	Stainless steel	EN 10088-1-X5CrNiMo17-12-2 (1.4401)	AISI 316
9	Tab	Acciaio inox	EN 10088-1-X2CrNiMo17-12-2 (1.4404)	AISI 316L
10	Fill/drain plugs	Stainless steel	EN 10088-1-X5CrNiMo17-12-2 (1.4401)	AISI 316
11	Mechanical seal	Ceramic / Carbon / FPM (standard version)		
12	Elastomers	FPM (standard version)		
13	Adapter *	Aluminium	EN 1706-AC-AISi11Cu2 (Fe) (AC46100)	-
	Adapter	Cast iron	EN 1561-GJL-200 (JL1030)	ASTM Class 25
14	Adapter motor coupling	Cast iron	EN 1561-GJL-200 (JL1030)	ASTM Class 25
15	Pump body fastening bolts & screws	Galvanized steel		

* 2/4 pole: 25/32/40-125, 25/32/40-160, 25/32/40-200

** 2 pole: 65-160/40, 65-160/55, 65-160/75

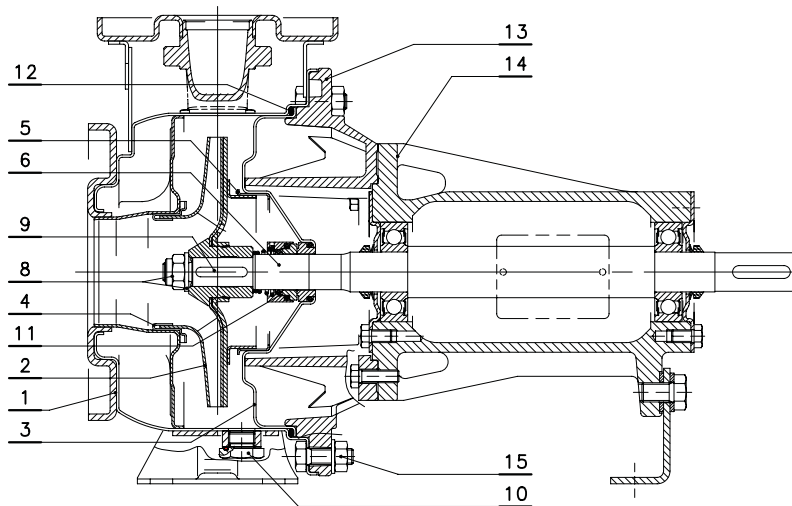
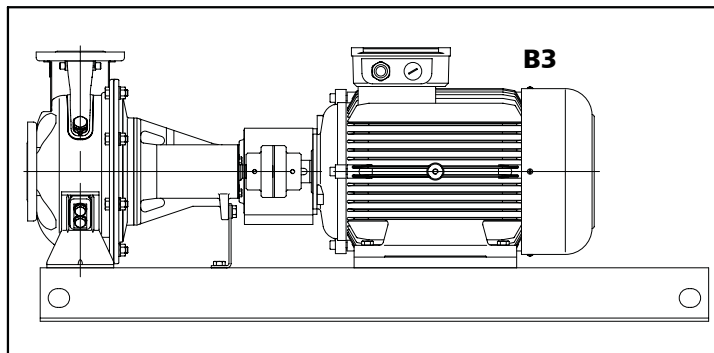
*** 2 pole: 65-160/92, 65-160/110A, 65-160/110

ESHS-en_a_tm

ESH, ESHF, ESHC SERIES

ELECTRIC PUMP CROSS-SECTION AND MAIN COMPONENTS

04979_C_DS



VERSIONS	
ESH, ESHF, ESHC	
25-125	
25-160	
25-200	
25-250	
32-125	
32-160	
32-200	
32-250	
40-125	
40-160	
40-200	
40-250	
50-125	
50-160	
50-200	
50-250	
65-160	
65-200	
65-250	
80-160	
80-200	
80-250	

ESHF-p-en_a_mo

REF. N.	NAME	MATERIAL	REFERENCE STANDARDS	
			EUROPE	USA
1	Pump body	Stainless steel	EN 10088-1-X2CrNiMo17-12-2 (1.4404)	AISI 316L
2	Impeller 25-32-40-50-65(160)**	Stainless steel	EN 10088-1-X2CrNiMo17-12-2 (1.4404)	AISI 316L
	Impeller 65(160)***, 65(200-250)-80	Stainless steel	EN 10213-4-GX5CrNiMo19-11-2 (1.4408)	ASTM CF8M (cast AISI 316)
3	Seal housing	Stainless steel	EN 10088-1-X2CrNiMo17-12-2 (1.4404)	AISI 316L
4	Wear ring	Stainless steel	EN 10088-1-X2CrNiMo17-12-2 (1.4404)	AISI 316L
5	Counterwear ring	Stainless steel	EN 10088-1-X2CrNiMo17-12-2 (1.4404)	AISI 316L
6	Shaft extension	Stainless steel	EN 10088-1-X5CrNiMo17-12-2 (1.4401)	AISI 316
8	Impeller locknut and washer	Stainless steel	EN 10088-1-X5CrNiMo17-12-2 (1.4401)	AISI 316
9	Tab	Stainless steel	EN 10088-1-X2CrNiMo17-12-2 (1.4404)	AISI 316L
10	Fill/drain plugs	Stainless steel	EN 10088-1-X5CrNiMo17-12-2 (1.4401)	AISI 316
11	Mechanical seal	Ceramic / Carbon / FPM (standard version)		
12	Elastomers	FPM (standard version)		
13	Adapter *	Aluminium	EN 1706-AC-AISI11Cu2 (Fe) (AC46100)	-
	Adapter	Cast iron	EN 1561-GJL-200 (JL1030)	ASTM Class 25
14	Transmission support body	Cast iron	EN 1561-GJL-200 (JL1030)	ASTM Class 25
15	Pump body fastening bolts & screws	Galvanized steel		

* 2/4 pole: 25/32/40-125, 25/32/40-160, 25/32/40-200

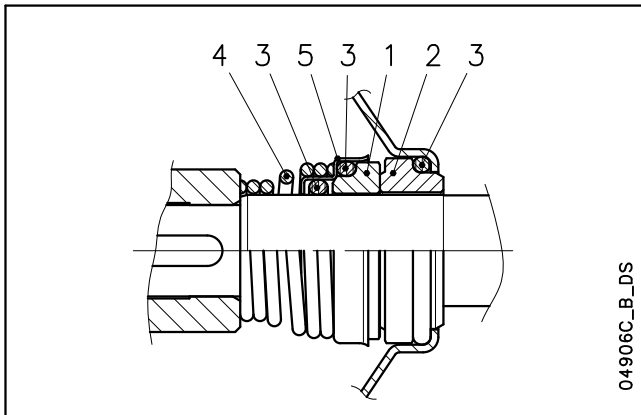
** 2 pole: 65-160/40, 65-160/55, 65-160/75

*** 2 pole: 65-160/92, 65-160/110A, 65-160/110

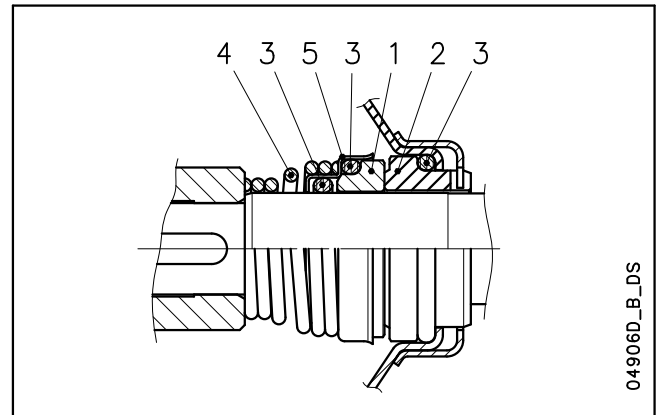
ESHF-en_a_tm

ESH SERIES MECHANICAL SEAL

Mechanical seal with mounting dimensions according to EN 12756 and ISO 3069.



(*) Standard version



(**) Version with fixed assembly anti-rotation

LIST OF MATERIALS

POSITION 1 - 2	POSITION 3	POSITION 4 - 5
B : Resin impregnated carbon	E : EPDM	G : AISI 316
Q ₁ : Silicon carbide	V : FPM	
V : Ceramic		

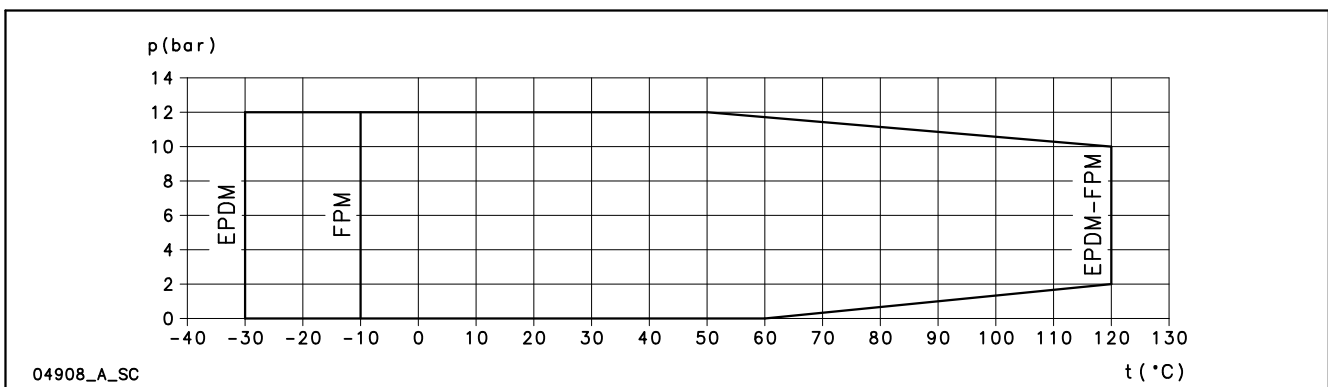
sh_ten-mec-en_a_tm

SEAL TYPES

TYPE	POSITION					TEMPERATURE (°C)
	1 ROTATING ASSEMBLY	2 FIXED ASSEMBLY	3 ELASTOMERS	4 SPRINGS	5 OTHER COMPONENTS	
STANDARD MECHANICAL SEAL						
VBVGG	V	B	V	G	G	-10 +120
OTHER MECHANICAL SEAL TYPES						
Q ₁ BVGG	Q ₁	B	V	G	G	-10 +120
Q ₁ Q ₁ VGG	Q ₁	Q ₁	V	G	G	-10 +120
VBEGG	V	B	E	G	G	-30 +120
Q ₁ BEGG	Q ₁	B	E	G	G	-30 +120
Q ₁ Q ₁ EGG	Q ₁	Q ₁	E	G	G	-30 +120

sh_tipi-ten-mec-en_a_tc

PRESSURE / TEMPERATURE APPLICATIONS LIMITS FOR COMPLETE PUMP (APPLICABLE WITH ANY OF THE SEALS LISTED ABOVE)



04908_A_SC

ESH SERIES MOTORS

Over last decade the European Commission with the 'Energy Efficiency Plan' pushed the European Parliament and the Council to adopt specific measures to the purpose of reducing energy consumption and further negative environmental impacts.

Through the Directives 2005/32/EC, energy-using products (EuP), and 2009/125/EC, energy-related products (ErP) a framework for ecodesign requirements was established.

The Commission Regulations (EC) No 640/2009 and (EU) No 4/2014 have implemented two directives with regard to ecodesign requirements for electric motors placed on the market and put into service inside EU zone as self-alone units or integrated in other products.

The various types considered include **three-phase 50 Hz surface motors** with power outputs ranging **from 0,75 to 375 kW included**.

Regulations also establish the following deadlines.

from	kW	minimum level of efficiency (IE)
16 June 2011	0,75 ÷ 375	IE2
27 July 2014	0,75 ÷ 375	new exclusion criteria
1 January 2015	< 7,5	IE2
	7,5 ÷ 375	IE3 IE2 fitted with variable speed drive
1 January 2017	0,75 ÷ 375	IE3
		IE2 fitted with variable speed drive

- Short-circuit squirrel-cage motor, enclosed construction with external ventilation (TEFC).
- Rated power from 0,75 to 75 kW for 2-pole range and from 0,25 to 11 kW for 4-pole range.
- **IP55** protection degree.
- Insulation class **155 (F)**.
- **Standard** three-phase surface motors $\geq 0,75$ kW supplied as **IE3**.
- IE efficiency level according to EN 60034-30:2009 and IEC 60034-30-1:2014 ($\geq 0,75$ kW).
- Electrical performances according to EN 60034-1.
- Metric cable gland according to EN 50262.
- **Single-phase** version:
220-240 V 50 Hz
Built-in automatic reset overload protection up to 1,5 kW. For higher powers the protection must be provided by the user.
- **Three-phase** version:
220-240/380-415 V 50 Hz for power up to 3 kW.
380-415/660-690 V 50 Hz for power above 3 kW.
Overload protection to be provided by the user.
- **PTC included** as standard only for WEG motors (one per phase, 155°C).
- Maximum ambient temperature: 40 °C.

ESHE SERIES SINGLE-PHASE MOTORS AT 50 Hz, 2 POLES

P _N kW	MOTOR TYPE	IEC SIZE*	Construction Design	INPUT CURRENT I _n (A) 220-240 V	CAPACITOR		DATA FOR 230 V 50 Hz VOLTAGE						
					μF	V	min ⁻¹	I _s / I _n	η %	cosφ	T _n Nm	T _s /T _n	T _m /T _n
0,75	SM90RB14S2/1075	90R	B14	4,83-5,23	30	450	2875	5,28	71,8	0,92	2,49	0,70	2,59
1,1	SM90RB14S2/1115	90R	B14	6,88-6,65	30	450	2800	3,89	74,7	0,96	3,75	0,46	1,72
1,5	SM90RB14S2/1155	90R	B14	9,21-8,58	40	450	2810	4,00	76,1	0,98	5,15	0,39	1,74
2,2	PLM90B14S2/1225	90	B14	12,5-11,6	70	450	2825	4,47	82,4	0,97	7,43	0,53	1,87

* R = Reduced size of motor casing as compared to shaft extension and flange.

ESHE-motm-2p50-en_a_te

ESHE SERIES THREE-PHASE MOTORS AT 50 Hz, 2 POLES

P _N kW	Efficiency η_N																		IE	Year of manufacture
	%																			
	Δ 220 V Y 380 V			Δ 230 V Y 400 V			Δ 240 V Y 415 V			Δ 380 V Y 660 V			Δ 400 V Y 690 V			Δ 415 V				
	4/4	3/4	2/4	4/4	3/4	2/4	4/4	3/4	2/4	4/4	3/4	2/4	4/4	3/4	2/4	4/4	3/4	2/4		
0,75	82,5	83,1	81,3	82,8	82,7	80,1	82,6	82,0	78,9	82,5	82,0	78,9	82,5	82,0	78,9	82,5	82,0	78,9		
1,1	84,0	84,7	83,4	84,4	84,5	82,5	84,3	84,0	81,4	84,0	84,0	81,4	84,0	84,0	81,4	84,0	84,0	81,4		
1,5	85,6	86,5	85,8	85,9	86,4	84,9	86,0	86,0	84,0	85,6	86,0	84,0	85,6	86,0	84,0	85,6	86,0	84,0		
2,2	86,5	87,4	86,8	86,4	86,9	85,7	86,6	86,7	85,0	86,4	86,7	85,0	86,4	86,7	85,0	86,4	86,7	85,0		
3	87,2	88,5	88,3	87,5	88,2	87,5	87,5	87,8	86,4	87,2	87,8	86,4	87,2	87,8	86,4	87,2	87,8	86,4		
4	89,1	90,1	89,2	89,1	90,1	89,2	89,1	90,1	89,2	89,1	90,3	90,4	89,6	90,4	89,9	89,6	90,1	89,2		
5,5	89,5	89,6	88,0	89,5	89,6	88,0	89,5	89,6	88,0	89,5	90,3	89,9	89,7	90,0	89,0	89,6	89,6	88,0		
7,5	90,6	90,5	89,0	90,6	90,5	89,0	90,6	90,5	89,0	90,6	91,0	90,2	90,8	90,8	89,6	90,7	90,5	89,0		
9,2	90,8	91,0	89,7	90,8	91,0	89,7	90,8	91,0	89,7	90,8	91,4	90,8	91,1	91,3	90,3	91,1	91,0	89,7		
11	91,3	92,0	91,1	91,3	92,0	91,1	91,3	92,0	91,1	91,3	92,2	92,2	91,6	92,2	91,7	91,7	92,0	91,1		
15	92,5	92,4	91,2	92,5	92,4	91,2	92,5	92,4	91,2	92,7	93,3	92,9	93,1	93,3	92,7	92,5	92,4	91,2		
18,5	92,6	93,1	92,4	92,6	93,1	92,4	92,6	93,1	92,4	92,6	93,2	93,0	92,9	93,3	92,8	92,9	93,1	92,4		
22	93,0	92,7	91,3	93,0	92,7	91,3	93,0	92,7	91,3	93,0	93,2	92,4	93,1	93,0	91,9	93,0	92,7	91,3		

P _N kW	Manufacturer		IEC SIZE*	Construction Design	N. of Poles	f _N Hz	Data for 400 V / 50 Hz Voltage				
	Xylem Service Italia Srl Reg. No. 07520560967 Montecchio Maggiore Vicenza - Italia						cos ϕ	I _s / I _N	T _N Nm	T _s /T _N	T _m /T _N
	Model										
0,75	SM90RB14S/307PE		90R	SPECIAL	2	50	0,78	7,38	2,48	3,57	3,75
1,1	SM90RB14S/311PE		90R				0,79	8,31	3,63	3,95	3,95
1,5	SM90RB14S/315PE		90R				0,80	8,80	4,96	4,31	4,10
2,2	PLM90B14S2/322 E3		90				0,80	8,77	7,28	3,72	3,70
3	PLM90B14S2/330 E3		90				0,79	7,81	9,93	4,26	3,94
4	PLM112RB14S2/340 E3		112R				0,85	9,13	13,2	3,82	4,32
5,5	PLM112B14S2/355 E3		112				0,85	10,5	18,1	4,74	5,11
7,5	PLM132B14S2/375 E3		132				0,85	10,2	24,4	3,43	4,76
9,2	PLM132B14S2/392 E3		132				0,85	10,1	30,0	3,73	4,81
11	PLM132B14S2/3110 E3		132				0,86	9,89	35,9	3,46	4,59
15	PLM160B34S3/3150 E3		160				0,88	9,51	48,6	2,73	4,32
18,5	PLM160B34S3/3185 E3		160				0,88	9,81	59,9	2,81	4,53
22	PLM160B34S3/3220 E3		160	0,85	10,9	71,1	3,26	5,12			

P _N kW	Voltage U _N V										n _N min ⁻¹	Observe the regulations and codes locally in force regarding sorted waste disposal.	Operating conditions **			
	Δ			Y			Δ			Y			Altitude Above Sea Level (m)	T. amb min/max °C	ATEX	
	220 V	230 V	240 V	380 V	400 V	415 V	380 V	400 V	415 V	660 V						690 V
0,75	2,96	2,94	2,96	1,71	1,70	1,71	1,70	1,69	1,70	0,98	0,98	2875 ÷ 2895	≤ 1000	-15 / 40	No	
1,1	4,19	4,14	4,16	2,42	2,39	2,40	2,41	2,38	2,38	1,39	1,37	2870 ÷ 2900				
1,5	5,56	5,49	5,51	3,21	3,17	3,18	3,21	3,18	3,19	1,85	1,84	2870 ÷ 2895				
2,2	7,97	7,90	7,98	4,6	4,56	4,61	4,57	4,54	4,57	2,64	2,62	2880 ÷ 2900				
3	11,0	11,0	11,2	6,35	6,33	6,44	6,29	6,27	6,34	3,63	3,62	2865 ÷ 2895				
4	13,6	13,4	13,4	7,87	7,75	7,74	7,80	7,62	7,61	4,50	4,40	2885 ÷ 2910				
5,5	18,1	17,9	18,1	10,4	10,4	10,4	10,6	10,5	10,7	6,10	6,05	2880 ÷ 2910				
7,5	24,8	24,4	24,3	14,3	14,1	14,0	14,4	14,1	14,2	8,32	8,16	2920 ÷ 2935				
9,2	30,6	30,1	30,2	17,6	17,4	17,5	17,5	17,2	17,3	10,1	9,93	2920 ÷ 2935				
11	35,7	35,0	34,9	20,6	20,2	20,2	20,6	20,2	20,2	11,9	11,7	2910 ÷ 2930				
15	47,6	46,1	45,2	27,5	26,6	26,1	27,5	26,6	26,1	15,9	15,3	2940 ÷ 2950				
18,5	58,3	56,7	55,6	33,7	32,7	32,1	34,0	33,0	32,7	19,6	19,0	2940 ÷ 2950				
22	72,9	73,1	73,7	42,1	42,2	42,6	40,9	40,4	40,6	23,6	23,3	2950 ÷ 2960				

* R = Reduced size of motor casing as compared to shaft extension and flange.

ESHE-IE3-mott-2p50-en_a_te

** Operating conditions to be referred to motor only. About electric pump, refer to limits in user's manual.

ESHS SERIES

THREE-PHASE MOTORS AT 50 Hz, 2 POLES (up to 22 kW)

P _N kW	Efficiency η_N %																		IE	Year of manufacture
	Δ 220 V Y 380 V			Δ 230 V Y 400 V			Δ 240 V Y 415 V			Δ 380 V Y 660 V			Δ 400 V Y 690 V			Δ 415 V				
	4/4	3/4	2/4	4/4	3/4	2/4	4/4	3/4	2/4	4/4	3/4	2/4	4/4	3/4	2/4	4/4	3/4	2/4		
0,75	82,5	83,1	81,3	82,8	82,7	80,1	82,6	82,0	78,9	82,5	82,0	78,9	82,5	82,0	78,9	82,5	82,0	78,9	3	from 11/2014
1,1	84,0	84,7	83,4	84,4	84,5	82,5	84,3	84,0	81,4	84,0	84,0	81,4	84,0	84,0	81,4	84,0	84,0	81,4		
1,5	85,6	86,5	85,8	85,9	86,4	84,9	86,0	86,0	84,0	85,6	86,0	84,0	85,6	86,0	84,0	85,6	86,0	84,0		
2,2	86,5	87,4	86,8	86,4	86,9	85,7	86,6	86,7	85,0	86,4	86,7	85,0	86,4	86,7	85,0	86,4	86,7	85,0		
3	87,2	88,5	88,3	87,5	88,2	87,5	87,5	87,8	86,4	87,2	87,8	86,4	87,2	87,8	86,4	87,2	87,8	86,4		
4	89,1	90,1	89,2	89,1	90,1	89,2	89,1	90,1	89,2	89,1	90,3	90,4	89,6	90,4	89,9	89,6	90,1	89,2		
5,5	89,5	89,6	88,0	89,5	89,6	88,0	89,5	89,6	88,0	89,5	90,3	89,9	89,7	90,0	89,0	89,6	89,6	88,0		
7,5	90,6	90,5	89,0	90,6	90,5	89,0	90,6	90,5	89,0	90,6	91,0	90,2	90,8	90,8	89,6	90,7	90,5	89,0		
11	91,8	92,3	91,5	91,8	92,3	91,5	91,8	92,3	91,5	91,8	92,3	91,9	92,2	92,5	91,8	92,3	92,4	91,5		
15	92,5	92,4	91,2	92,5	92,4	91,2	92,5	92,4	91,2	92,7	93,3	92,9	93,1	93,3	92,7	92,5	92,4	91,2		
18,5	92,6	93,1	92,4	92,6	93,1	92,4	92,6	93,1	92,4	92,6	93,2	93,0	92,9	93,3	92,8	92,9	93,1	92,4		
22	93,0	92,7	91,3	93,0	92,7	91,3	93,0	92,7	91,3	93,0	93,2	92,4	93,1	93,0	91,9	93,0	92,7	91,3		

P _N kW	Manufacturer		IEC SIZE*	Construction Design	N. of Poles	f _N Hz	Data for 400 V / 50 Hz Voltage				
	Xylem Service Italia Srl Reg. No. 07520560967 Montecchio Maggiore Vicenza - Italia						cos ϕ	I _s / I _N	T _N Nm	T _s /T _N	T _m /T _N
	Model										
0,75	SM80B5/307PE		80	B5	2	50	0,78	7,38	2,48	3,57	3,75
1,1	SM80B5/311PE		80				0,79	8,31	3,63	3,95	3,95
1,5	SM90B5/315PE		90R				0,80	8,80	4,96	4,31	4,10
2,2	PLM90B5/322 E3		90				0,80	8,77	7,28	3,72	3,70
3	PLM100RB5/330 E3		100R				0,79	7,81	9,93	4,26	3,94
4	PLM112RB5/340 E3		112R				0,85	9,13	13,2	3,82	4,32
5,5	PLM132RB5/355 E3		132R				0,85	10,5	18,1	4,74	5,11
7,5	PLM132B5/375 E3		132				0,85	10,2	24,4	3,43	4,76
11	PLM160B35/3110 E3		160				0,88	8,59	35,6	2,36	4,14
15	PLM160B35/3150 E3		160				0,88	9,51	48,6	2,73	4,32
18,5	PLM160B35/3185 E3		160				0,88	9,81	59,9	2,81	4,53
22	PLM180RB35/3220 E3		180R				0,85	10,9	71,1	3,26	5,12

P _N kW	Voltage U _N V											η_N min ⁻¹	Operating conditions **		
	Δ			Y			Δ			Y			Altitude Above Sea Level (m)	T. amb min/max °C	ATEX
	220 V	230 V	240 V	380 V	400 V	415 V	380 V	400 V	415 V	660 V	690 V				
0,75	2,96	2,94	2,96	1,71	1,70	1,71	1,70	1,69	1,70	0,98	0,98	2875 ÷ 2895	≤ 1000	-15 / 40	No
1,1	4,19	4,14	4,16	2,42	2,39	2,40	2,41	2,38	2,38	1,39	1,37	2870 ÷ 2900			
1,5	5,56	5,49	5,51	3,21	3,17	3,18	3,21	3,18	3,19	1,85	1,84	2870 ÷ 2895			
2,2	7,97	7,90	7,98	4,6	4,56	4,61	4,57	4,54	4,57	2,64	2,62	2880 ÷ 2900			
3	11,0	11,0	11,2	6,35	6,33	6,44	6,29	6,27	6,34	3,63	3,62	2865 ÷ 2895			
4	13,6	13,4	13,4	7,87	7,75	7,74	7,80	7,62	7,61	4,50	4,40	2885 ÷ 2910			
5,5	18,1	17,9	18,1	10,4	10,4	10,4	10,6	10,5	10,7	6,10	6,05	2880 ÷ 2910			
7,5	24,8	24,4	24,3	14,3	14,1	14,0	14,4	14,1	14,2	8,32	8,16	2920 ÷ 2935			
11	35,0	33,9	33,0	20,2	19,6	19,1	20,4	19,6	19,2	11,8	13,3	2935 ÷ 2950			
15	47,6	46,1	45,2	27,5	26,6	26,1	27,5	26,6	26,1	15,9	15,3	2940 ÷ 2950			
18,5	58,3	56,7	55,6	33,7	32,7	32,1	34,0	33,0	32,7	19,6	19,0	2940 ÷ 2950			
22	72,9	73,1	73,7	42,1	42,2	42,6	40,9	40,4	40,6	23,6	23,3	2950 ÷ 2960			

* R = Reduced size of motor casing as compared to shaft extension and flange.

ESHS-IE3-mott-2p50-en_a_te

** Operating conditions to be referred to motor only. About electric pump, refer to limits in user's manual.

ESHF, ESHC SERIES

THREE-PHASE MOTORS AT 50 Hz, 2 POLES (up to 18,5 kW)

P _N kW	Efficiency η_N %																		IE	Year of manufacture
	Δ 220 V Y 380 V			Δ 230 V Y 400 V			Δ 240 V Y 415 V			Δ 380 V Y 660 V			Δ 400 V Y 690 V			Δ 415 V				
	4/4	3/4	2/4	4/4	3/4	2/4	4/4	3/4	2/4	4/4	3/4	2/4	4/4	3/4	2/4	4/4	3/4	2/4		
0,75	82,5	83,1	81,3	82,8	82,7	80,1	82,6	82,0	78,9	82,5	82,0	78,9	82,5	82,0	78,9	82,5	82,0	78,9		
1,1	84,0	84,7	83,4	84,4	84,5	82,5	84,3	84,0	81,4	84,0	84,0	81,4	84,0	84,0	81,4	84,0	84,0	81,4		
1,5	84,6	85,8	85,4	85,5	86,3	85,2	85,9	86,2	84,8	84,6	85,8	84,8	84,6	85,8	84,8	84,6	85,8	84,8		
2,2	86,5	87,4	86,8	86,4	86,9	85,7	86,6	86,7	85,0	86,4	86,7	85,0	86,4	86,7	85,0	86,4	86,7	85,0		
3	88,7	89,5	89,1	89,1	89,5	88,4	89,1	89,1	87,7	88,7	89,1	87,7	88,7	89,1	87,7	88,7	89,1	87,7		
4	88,6	89,0	87,6	88,6	89,0	87,6	88,6	89,0	87,6	88,7	89,6	89,1	88,6	89,2	88,3	88,9	89,0	87,6		
5,5	90,1	89,8	88,0	90,1	89,8	88,0	90,1	89,8	88,0	90,2	90,5	89,5	90,3	90,2	88,8	90,1	89,8	88,0		
7,5	90,6	90,5	89,0	90,6	90,5	89,0	90,6	90,5	89,0	90,6	91,0	90,2	90,8	90,8	89,6	90,7	90,5	89,0		
11	91,8	92,3	91,5	91,8	92,3	91,5	91,8	92,3	91,5	91,8	92,3	91,9	92,2	92,5	91,8	92,3	92,4	91,5		
15	92,5	92,4	91,2	92,5	92,4	91,2	92,5	92,4	91,2	92,7	93,3	92,9	93,1	93,3	92,7	92,5	92,4	91,2		
18,5	92,6	93,1	92,4	92,6	93,1	92,4	92,6	93,1	92,4	92,6	93,2	93,0	92,9	93,3	92,8	92,9	93,1	92,4		

P _N kW	Manufacturer		IEC SIZE	Construction Design	N. of Poles	f _N Hz	Data for 400 V / 50 Hz Voltage				
	Xylem Service Italia Srl Reg. No. 07520560967 Montecchio Maggiore Vicenza - Italia						cos ϕ	I _s / I _N	T _N Nm	T _s /T _N	T _m /T _N
	Model										
0,75	SM80B3/307PE		80	B3	2	50	0,78	7,38	2,48	3,57	3,75
1,1	SM80B3/311PE		80				0,79	8,31	3,63	3,95	3,95
1,5	PLM90B3/315 E3		90				0,86	8,04	4,96	3,34	3,27
2,2	PLM90B3/322 E3		90				0,80	8,77	7,28	3,72	3,70
3	PLM100B3/330 E3		100				0,84	9,65	9,84	3,59	4,26
4	PLM112B3/340 E3		112				0,86	9,41	13,2	3,95	4,46
5,5	PLM132B3/355 E3		132				0,83	10,0	17,9	3,33	4,65
7,5	PLM132B3/375 E3		132				0,85	10,2	24,4	3,43	4,76
11	PLM160B3/3110 E3		160				0,88	8,59	35,6	2,36	4,14
15	PLM160B3/3150 E3		160				0,88	9,51	48,6	2,73	4,32
18,5	PLM160B3/3185 E3		160				0,88	9,81	59,9	2,81	4,53

P _N kW	Voltage U _N V										n _N min ⁻¹	Operating conditions **			
	Δ			Y			Δ			Y		Altitude Above Sea Level (m)	T. amb min/max °C	ATEX	
	220 V	230 V	240 V	380 V	400 V	415 V	380 V	400 V	415 V	660 V					690 V
0,75	2,96	2,94	2,96	1,71	1,70	1,71	1,70	1,69	1,70	0,98	0,98	2875 ÷ 2895	≤ 1000	-15 / 40	No
1,1	4,19	4,14	4,16	2,42	2,39	2,40	2,41	2,38	2,38	1,39	1,37	2870 ÷ 2900			
1,5	5,35	5,11	5,04	3,09	2,95	2,91	3,09	2,96	2,91	1,78	1,71	2865 ÷ 2890			
2,2	7,97	7,90	7,98	4,60	4,56	4,61	4,57	4,54	4,57	2,64	2,62	2880 ÷ 2900			
3	10,2	10,0	10,1	5,91	5,79	5,82	5,94	5,83	5,87	3,43	3,37	2895 ÷ 2920			
4	13,3	13,1	13,1	7,69	7,56	7,55	7,70	7,56	7,57	4,45	4,36	2885 ÷ 2905			
5,5	18,9	18,8	18,9	10,9	10,9	10,9	10,7	10,6	10,7	6,20	6,14	2925 ÷ 2940			
7,5	24,8	24,4	24,3	14,3	14,4	14,0	14,4	14,1	14,2	8,32	8,16	2920 ÷ 2935			
11	35,0	33,9	33,0	20,2	19,6	19,1	20,4	19,6	19,2	11,8	11,3	2935 ÷ 2950			
15	47,6	46,1	45,2	27,5	26,6	26,1	27,5	26,6	26,1	15,9	15,3	2940 ÷ 2950			
18,5	58,3	56,7	55,6	33,7	32,7	32,1	34,0	33,0	32,7	19,6	19,0	2940 ÷ 2950			

** Operating conditions to be referred to motor only. About electric pump, refer to limits in user's manual.

ESHF-IE3-mott18-2p50-en_a_te

ESHS SERIES (B35 from 30 to 37 kW)
ESHF SERIES (B3 from 22 to 75 kW)
THREE-PHASE MOTORS AT 50 Hz, 2 POLES

P _N kW	Efficiency η_N %									IE	Year of manufacture
	Δ 380 V Y 660 V			Δ 400 V Y 690 V			Δ 415 V				
	4/4	3/4	2/4	4/4	3/4	2/4	4/4	3/4	2/4		
22	93,4	93,2	92,7	93,7	93,3	92,5	93,8	93,3	92,3	3	from 11/2014
30	94,0	94,0	93,1	94,1	94,0	92,8	94,2	93,9	92,6		
37	94,4	94,0	93,5	94,6	94,0	93,3	94,7	93,9	93,1		
45	94,8	94,9	94,6	95,1	95,1	94,6	95,3	95,2	94,5		
55	95,1	95,0	94,9	95,4	95,3	94,9	95,5	95,3	94,8		
75	95,4	95,2	94,6	95,6	95,3	94,5	95,7	95,3	94,4		

P _N kW	Manufacturer		IEC SIZE	Construction Design	N. of Poles	f _N Hz	Data for 400 V / 50 Hz Voltage				
	WEG Equipamentos Eletricos S.A. Reg. No. 07.175.725/0010-50 Jaragua do Sul - SC (Brazil)						cos ϕ	I _s / I _N	T _N Nm	T _s /T _N	T _m /T _N
	Model										
22	W22 180M B3 22KW E3		180	B3	2	50	0,87	8,00	71,10	2,50	3,30
30	W22 200L B3 30KW E3		200	B3			0,86	7,30	96,60	2,60	2,90
	W22 200L B35 30KW E3			B35							
37	W22 200L B3 37KW E3		200	B3			0,86	7,30	119,2	2,60	2,90
	W22 200L B35 37KW E3			B35							
45	W22 225S/M B3 45KW E3		225	B3			0,88	8,00	144,7	2,70	3,20
55	W22 250S/M B3 55KW E3		250		0,89	7,90	177,1	2,80	2,90		
75	W22 280S/M B3 75KW E3		280		0,90	7,60	240,3	2,30	2,90		

P _N kW	Voltage U _N V					n _N min ⁻¹	See note:	Operating conditions **		
	Δ			Y				Altitude Above Sea Level (m)	T. amb min/max °C	ATEX
	380 V	400 V	415 V	660 V	690 V					
	I _N (A)									
22	40,70	39,00	37,90	23,40	22,60	2950 ÷ 2960	≤ 1000	-15 / 40	No	
30	55,10	53,50	52,70	31,70	31,00	2960 ÷ 2970				
37	67,70	65,60	64,70	39,00	38,00	2960 ÷ 2970				
45	80,10	77,60	74,60	46,10	45,00	2965 ÷ 2970				
55	97,60	93,50	91,00	56,20	54,20	2960 ÷ 2965				
75	131,0	126,0	121,0	75,40	73,00	2975 ÷ 2980				

** Operating conditions to be referred to motor only. About electric pump, refer to limits in user's manual.

ESHF-IE3-mott75-2p50-en_a_te

Note: Observe the regulations and codes locally in force regarding sorted waste disposal.

ESHE SERIES THREE-PHASE MOTORS AT 50 Hz, 4 POLES

P _N kW	Efficiency η_N %																		Year of manufacture				
	Δ 220 V Y 380 V			Δ 230 V Y 400 V			Δ 240 V Y 415 V			Δ 380 V Y 660 V			Δ 400 V Y 690 V			Δ 415 V				IE			
	4/4	3/4	2/4	4/4	3/4	2/4	4/4	3/4	2/4	4/4	3/4	2/4	4/4	3/4	2/4	4/4	3/4	2/4					
0,25	-	-	-	-	-	-	-	-	-	-	-	-	-	-	-	-	-	-	-	-	-	-	06/2011
0,37	-	-	-	-	-	-	-	-	-	-	-	-	-	-	-	-	-	-	-	-	-	-	-
0,55	-	-	-	-	-	-	-	-	-	-	-	-	-	-	-	-	-	-	-	-	-	-	-
0,75	80,4	81,3	79,8	81,1	81,4	79,1	81,4	81,2	78,4	80,4	81,2	78,4	80,4	81,2	78,4	80,4	81,2	78,4	80,4	81,2	78,4	2	from 11/2014
1,1	84,9	85,7	84,7	85,3	85,5	83,8	85,3	85	82,7	84,9	85	82,7	84,9	85	82,7	84,9	85	82,7	84,9	85	82,7	3	
1,5	86,6	87	85,7	86,7	86,9	84,5	86,4	85,9	83,3	86,4	85,9	83,3	86,4	85,9	83,3	86,4	85,9	83,3	86,4	85,9	83,3	3	
2,2	87,6	88,6	88,3	88,2	88,8	87,9	88,5	88,7	87,4	87,6	88,6	87,4	87,6	88,6	87,4	87,6	88,6	87,4	87,6	88,6	87,4	3	
3	88,5	89,2	88,5	88,6	88,9	87,6	88,6	88,6	86,8	88,5	88,6	86,8	88,5	88,6	86,8	88,5	88,6	86,8	88,5	88,6	86,8	3	
4	88,6	89,1	87,9	88,6	89,1	87,9	88,6	89,1	87,9	88,6	89,2	88,9	88,6	89,2	88,4	88,8	89,1	87,9	88,6	89,1	87,9	3	
5,5	90,4	90,9	89,7	90,4	90,9	89,7	90,4	90,9	89,7	90,4	91,0	90,5	90,9	91,1	90,2	90,9	90,9	89,7	90,4	90,9	89,7	3	
7,5	90,4	91,2	90,4	90,4	91,2	90,4	90,4	91,2	90,4	90,4	91,2	91,1	90,7	91,3	90,8	90,9	91,2	90,4	90,4	91,2	90,4	3	
11	91,5	92,2	91,4	91,5	92,2	91,4	91,5	92,2	91,4	91,5	92,4	92,4	91,9	92,5	92,0	91,9	92,2	91,4	91,5	92,2	91,4	3	

P _N kW	Manufacturer		IEC SIZE*	Construction Design	N. of Poles	f _N Hz	Data for 400 V / 50 Hz Voltage				
	Xylem Service Italia Srl Reg. No. 07520560967 Montecchio Maggiore Vicenza - Italia						cos ϕ	I _s / I _N	T _N Nm	T _s /T _N	T _m /T _N
	Model										
0,25	SM471B5/302		71	B5 SPECIAL	4	50	0,59	3,58	1,71	3,16	2,63
0,37	SM471B5/304		71				0,60	3,39	2,57	3,40	2,47
0,55	SM490RB14S2/305		90R				0,67	3,95	3,77	2,45	2,38
0,75	LLM490RB5S2/307 IE2		90R				0,75	5,78	5,03	2,77	3,31
1,1	PLM490B5S2/311 E3		90				0,71	6,22	7,28	2,75	3,44
1,5	PLM490B5S2/315 E3		90				0,68	6,92	9,89	3,29	4,01
2,2	PLM4100B5S3/322 E3		100				0,78	7,47	14,5	2,38	3,69
3	PLM4100B5S3/330 E3		100				0,74	7,75	19,7	2,48	4,21
4	PLM4112B5S3/340 E3		112				0,79	8,32	26,3	3,19	4,02
5,5	PLM4132B14S4/355 E3		132				0,76	7,64	35,9	2,85	3,65
7,5	PLM4132B14S4/375 E3		132				0,79	7,70	49,1	2,69	3,57
11	PLM4160B34S4/3110 E3		160	0,81	7,19	71,5	2,45	3,26			

P _N kW	Voltage U _N V										n _N min ⁻¹	Observe the regulations and codes locally in force regarding sorted waste disposal.	Operating conditions **			
	Δ			Y			Δ			Y			Altitude Above Sea Level (m)	T. amb min/max °C	ATEX	
	220 V	230 V	240 V	380 V	400 V	415 V	380 V	400 V	415 V	660 V						690 V
0,25	1,68	1,71	1,77	0,97	0,99	1,02	-	-	-	-	-	1375 ÷ 1400	≤ 1000	-15 / 40	No	
0,37	2,46	2,53	2,62	1,42	1,46	1,51	-	-	-	-	-	1355 ÷ 1380				
0,55	2,98	3,03	3,1	1,72	1,75	1,79	-	-	-	-	-	1380 ÷ 1400				
0,75	3,08	3,03	3,01	1,78	1,75	1,74	1,78	1,75	1,74	1,03	1,01	1410 ÷ 1430				
1,1	4,61	4,59	4,62	2,66	2,65	2,67	2,64	2,63	2,65	1,53	1,52	1435 ÷ 1445				
1,5	6,34	6,41	6,41	3,66	3,7	3,7	3,65	3,68	3,69	2,11	2,13	1440 ÷ 1450				
2,2	8,19	8,04	7,97	4,73	4,64	4,6	4,70	4,62	4,56	2,71	2,67	1445 ÷ 1455				
3	11,5	11,5	11,5	6,66	6,62	6,67	6,63	6,59	6,63	3,83	3,81	1450 ÷ 1460				
4	14,8	14,6	14,5	8,52	8,40	8,36	8,40	8,23	8,19	4,85	4,75	1445 ÷ 1455				
5,5	20,0	19,7	19,4	11,6	11,4	11,2	11,7	11,5	11,4	6,75	6,62	1455 ÷ 1465				
7,5	26,6	26,1	25,8	15,4	15,1	14,9	15,5	15,2	15,1	8,95	8,75	1450 ÷ 1460				
11	38,3	37,3	37,5	22,1	21,8	21,7	21,9	21,4	21,3	12,6	12,3	1465 ÷ 1470				

* R = Reduced size of motor casing as compared to shaft extension and flange.

ESHE-IE3-mott-4p50-en_a_te

** Operating conditions to be referred to motor only. About electric pump, refer to limits in user's manual.

ESHS SERIES (B5/B35 from 0,55 to 11 kW)
ESHF SERIES (B3 from 0,25 to 11 kW)
THREE-PHASE MOTORS AT 50 Hz, 4 POLES

P _N kW	Efficiency η_N																		Year of manufacture			
	%																					
	Δ 220 V Y 380 V			Δ 230 V Y 400 V			Δ 240 V Y 415 V			Δ 380 V Y 660 V			Δ 400 V Y 690 V			Δ 415 V				IE		
4/4	3/4	2/4	4/4	3/4	2/4	4/4	3/4	2/4	4/4	3/4	2/4	4/4	3/4	2/4	4/4	3/4	2/4					
0,25	-	-	-	-	-	-	-	-	-	-	-	-	-	-	-	-	-	-	-	-	-	06/2011
0,37	-	-	-	-	-	-	-	-	-	-	-	-	-	-	-	-	-	-	-	-	-	-
0,55	-	-	-	-	-	-	-	-	-	-	-	-	-	-	-	-	-	-	-	-	-	-
0,75	80,4	81,3	79,8	81,1	81,4	79,1	81,4	81,2	78,4	80,4	81,2	78,4	80,4	81,2	78,4	80,4	81,2	78,4	80,4	81,2	78,4	2
1,1	84,9	85,7	84,7	85,3	85,5	83,8	85,3	85	82,7	84,9	85	82,7	84,9	85	82,7	84,9	85	82,7	84,9	85	82,7	3
1,5	86,6	87	85,7	86,7	86,9	84,5	86,4	85,9	83,3	86,4	85,9	83,3	86,4	85,9	83,3	86,4	85,9	83,3	86,4	85,9	83,3	
2,2	87,6	88,6	88,3	88,2	88,8	87,9	88,5	88,7	87,4	87,6	88,6	87,4	87,6	88,6	87,4	87,6	88,6	87,4	87,6	88,6	87,4	
3	88,5	89,2	88,5	88,6	88,9	87,6	88,6	88,6	86,8	88,5	88,6	86,8	88,5	88,6	86,8	88,5	88,6	86,8	88,5	88,6	86,8	
4	88,6	89,1	87,9	88,6	89,1	87,9	88,6	89,1	87,9	88,6	89,2	88,9	88,6	89,2	88,4	88,8	89,1	87,9	88,6	89,1	87,9	
5,5	90,4	90,9	89,7	90,4	90,9	89,7	90,4	90,9	89,7	90,4	91,0	90,5	90,9	91,1	90,2	90,9	90,9	90,9	90,9	90,9	89,7	
7,5	90,4	91,2	90,4	90,4	91,2	90,4	90,4	91,2	90,4	90,4	91,2	91,1	90,7	91,3	90,8	90,9	91,2	90,4	90,9	91,2	90,4	
11	91,5	92,2	91,4	91,5	92,2	91,4	91,5	92,2	91,4	91,5	92,4	92,4	91,9	92,5	92,0	91,9	92,2	91,4	91,9	92,2	91,4	

P _N kW	Manufacturer		IEC SIZE	Construction Design	N. of Poles	f _N Hz	Data for 400 V / 50 Hz Voltage				
	Xylem Service Italia Srl Reg. No. 07520560967 Montecchio Maggiore Vicenza - Italia						cosφ	I _s / I _N	T _N Nm	T _s /T _N	T _m /T _n
	Model										
0,25	SM471B3/302		71	B3	4	50	0,59	3,58	1,71	3,16	2,63
0,37	SM471B3/304		71	B3			0,60	3,39	2,57	3,40	2,47
0,55	SM480B3/305		80	B3			0,67	3,95	3,77	2,45	2,38
	SM480B5/305			B5							
0,75	LLM480B3/307 IE2		80	B3			0,75	5,78	5,03	2,77	3,31
	LLM480B5/307 IE2			B5							
1,1	PLM490B3/311 E3		90	B3			0,71	6,22	7,28	2,75	3,44
	PLM490B5/311 E3			B5							
1,5	PLM490B3/315 E3		90	B3			0,68	6,92	9,89	3,29	4,01
	PLM490B5/315 E3			B5							
2,2	PLM4100B3/322 E3		100	B3			0,78	7,47	14,5	2,38	3,69
	PLM4100B5/322 E3			B5							
3	PLM4100B3/330 E3		100	B3			0,74	7,75	19,7	2,48	4,21
	PLM4100B5/330 E3			B5							
4	PLM4112B3/340 E3		112	B3			0,79	8,32	26,3	3,19	4,02
	PLM4112B5/340 E3			B5							
5,5	PLM4132B3/355 E3		132	B3	0,76	7,64	35,9	2,85	3,65		
	PLM4132B5/355 E3			B5							
7,5	PLM4132B3/375 E3		132	B3	0,79	7,70	49,1	2,69	3,57		
	PLM4132B5/375 E3			B5							
11	PLM4160B3/3110 E3		160	B3	0,81	7,19	71,5	2,45	3,26		
	PLM4160B35/3110 E3			B35							

P _N kW	Voltage U _N V										n _N min ⁻¹	Observe the regulations and codes locally in force regarding sorted waste disposal.	Operating conditions **			
	Δ			Y			Δ			Y			Altitude Above Sea Level (m)	T. amb min/max °C	ATEX	
	220 V	230 V	240 V	380 V	400 V	415 V	380 V	400 V	415 V	660 V						690 V
0,25	1,68	1,71	1,77	0,97	0,99	1,02	-	-	-	-	-	1375 ÷ 1400	≤ 1000	-15 / 40	No	
0,37	2,46	2,53	2,62	1,42	1,46	1,51	-	-	-	-	-	1355 ÷ 1380				
0,55	2,98	3,03	3,10	1,72	1,75	1,79	-	-	-	-	-	1380 ÷ 1400				
0,75	3,08	3,03	3,01	1,78	1,75	1,74	1,78	1,75	1,74	1,03	1,01	1410 ÷ 1430				
1,1	4,61	4,59	4,62	2,66	2,65	2,67	2,64	2,63	2,65	1,53	1,52	1435 ÷ 1445				
1,5	6,34	6,41	6,41	3,66	3,7	3,7	3,65	3,68	3,69	2,11	2,13	1440 ÷ 1450				
2,2	8,19	8,04	7,97	4,73	4,64	4,6	4,70	4,62	4,56	2,71	2,67	1445 ÷ 1455				
3	11,5	11,5	11,5	6,66	6,62	6,67	6,63	6,59	6,63	3,83	3,81	1450 ÷ 1460				
4	14,8	14,6	14,5	8,52	8,40	8,36	8,40	8,23	8,19	4,85	4,75	1445 ÷ 1455				
5,5	20,0	19,7	19,4	11,6	11,4	11,2	11,7	11,5	11,4	6,75	6,62	1455 ÷ 1465				
7,5	26,6	26,1	25,8	15,4	15,1	14,9	15,5	15,2	15,1	8,95	8,75	1450 ÷ 1460				
11	38,3	37,3	37,5	22,1	21,8	21,7	21,9	21,4	21,3	12,6	12,3	1465 ÷ 1470				

** Operating conditions to be referred to motor only. About electric pump, refer to limits in user's manual.

MOTOR NOISE

The tables below show the mean sound pressure levels (Lp) measured at 1 meter's distance in a free field according to the A curve (ISO 1680 standard).

The noise values are measured with idling 50 Hz motor with a tolerance of 3 dB (A).

ESHE, ESHS MOTORS 2 POLES 50 Hz

POWER	MOTOR TYPE	NOISE
kW	IEC SIZE*	LpA dB
0,75	90R	<70
1,1	90R	<70
1,5	90R - 90	<70
2,2	90	<70
3	90	<70
3	100R	<70
4	112R	<70
5,5	112	<70
5,5	132R	<70
7,5	132	71
9,2	132	73
11	132	73
11	160R	73
11	160	71
15	160	71
18,5	160	73
22	160	70
22	180R	70
30	200	69
37	200	69

ESHF, ESHC MOTORS 2 POLES 50 Hz

POWER	MOTOR TYPE	NOISE
kW	IEC SIZE	LpA dB
0,75	80	<70
1,1	80	<70
1,5	90	<70
2,2	90	<70
3	100	<70
4	112	<70
5,5	132	71
7,5	132	71
11	160	71
15	160	71
18,5	160	73
22	180	67
30	200	69
37	200	69
45	225	74
55	250	74
75	280	77

ESHE MOTORS 4 POLES 50 Hz

POWER	MOTOR TYPE	NOISE
kW	IEC SIZE*	LpA dB
0,25	71	<70
0,37	71	<70
0,55	90R	<70
0,75	90R	<70
1,1	90	<70
1,5	90	<70
2,2	100	<70
3	100	<70
4	112	<70
5,5	132	<70
7,5	132	<70
11	160	<70

ESHS, ESHF MOTORS 4 POLES 50 Hz

POWER	MOTOR TYPE	NOISE
kW	IEC SIZE	LpA dB
0,25	71	<70
0,37	71	<70
0,55	80	<70
0,75	80	<70
1,1	90	<70
1,5	90	<70
2,2	100	<70
3	100	<70
4	112	<70
5,5	132	<70
7,5	132	<70
11	160	<70

*R=Reduced size of motor as compared to shaft extension and flange.

ESH_mott_a_tr

ESH SERIES PUMPS

Over last decade the European Commission with the 'Energy Efficiency Plan' pushed the European Parliament and the Council to adopt specific measures to the purpose of reducing energy consumption and further negative environmental impacts. Through the Directives 2005/32/EC, energy-using products (EuP), and 2009/125/EC, energy-related products (ErP) a framework for ecodesign requirements was established.

The **Commission Regulation (EU) No 547/2012** has implemented two directives with regard to ecodesign requirements for **some types of clean water pumps** placed on the market and put into service inside EU zone as self-alone units or integrated in other products.

For end-suction close-coupled pumps (ESCC for the Regulation) and end-suction own-bearing pumps (ESOB for the Regulation) the efficiency assessment refers to:

- just the pump and not the pump and motor assembly (electric or combustion);
- pumps with just one impeller;
- pumps with a nominal pressure PN not higher than 16 bar (1600 kPa);
- pumps with a minimum nominal flow not less than 6 m³/h;
- pumps with a maximum nominal power at the shaft not higher than 150 kW;
- pumps designed to operate at a speed of 2900 min⁻¹ (for electric pumps this means 50 Hz 2-pole electric motors) and with a head not greater than 140 metres;
- pumps designed to operate at a speed of 1450 min⁻¹ (for electric pumps this means 50 Hz 4-pole electric motors) and with a head not greater than 90 metres;
- use with clean water at a temperature ranging from -10°C to 120°C (the test is performed with cold water at a temperature not higher than 40°C).

According to the definitions established in the Regulation ESHE and ESHS versions correspond to the "end-suction close-coupled pump" while ESH, ESHF and ESHC versions correspond to the "end-suction own bearing pump". This regulation states that water pumps shall have a minimum index MEI coming from a dedicated formula which considers hydraulic efficiency values at 'best efficiency point' (BEP), 75 % of the flow at BEP (Part load – PL) and 110 % of the flow at BEP (Over load – OL).

The Regulation also establishes the following deadlines.

from	minimum efficiency index (MEI)
1st January 2013	MEI ≥ 0,1
1st January 2015	MEI ≥ 0,4

Regulation (EU) n. 547/2012 – Annex II – point 2 (Product information requirements)

- 1) Minimum efficiency index: see MEI values in specific tables on following page.
- 2) "The benchmark for most efficient water pumps is MEI ≥ 0,70".
- 3) Year of manufacture: 2014.
- 4) Manufacturer: Xylem Service Italia Srl - Reg. No 07520560967 - Montecchio Maggiore, Vicenza, Italy.
- 5) Product type: see the PUMP TYPE column in the tables in the *Hydraulic performance* section.
- 6) Hydraulic pump efficiency with trimmed impeller: see η_p and $\varnothing T$ columns in the tables in the *Hydraulic performance* section.
- 7) Pump performance curves, including the performance curve: see the *Operating Characteristics* graphs in the following pages.
- 8) "The efficiency of a pump with a trimmed impeller is usually lower than that of a pump with the full impeller diameter. The trimming of the impeller will adapt the pump to a fixed duty point, leading to reduced energy consumption. The minimum efficiency index (MEI) is based on the full impeller diameter".
- 9) "The operation of this water pump with variable duty points may be more efficient and economic when controlled, for example, by the use of a variable speed drive that matches the pump duty to the system".
- 10) Information relevant for disassembly, recycling or disposal at end-of-life: observe the current laws and by-laws governing sorted waste disposal. Consult the product operating manual.
- 11) "Designed for use below – 10 °C only": note not applicable to these products.
- 12) "Designed for use above 120 °C only": note not applicable to these products.
- 13) Specific instructions for pumps as per points 11 and 12: not applicable to these products.
- 14) "Information on benchmark efficiency is available at": www.europump.org (Ecodesign section).
- 15) The benchmark efficiency graphs with MEI = 0.7 and MEI = 0.4 are available at www.europump.org/efficiencycharts (refer to "ESCC 1450 rpm", "ESCC 2900 rpm", "ESOB 1450 rpm", "ESOB 2900 rpm").

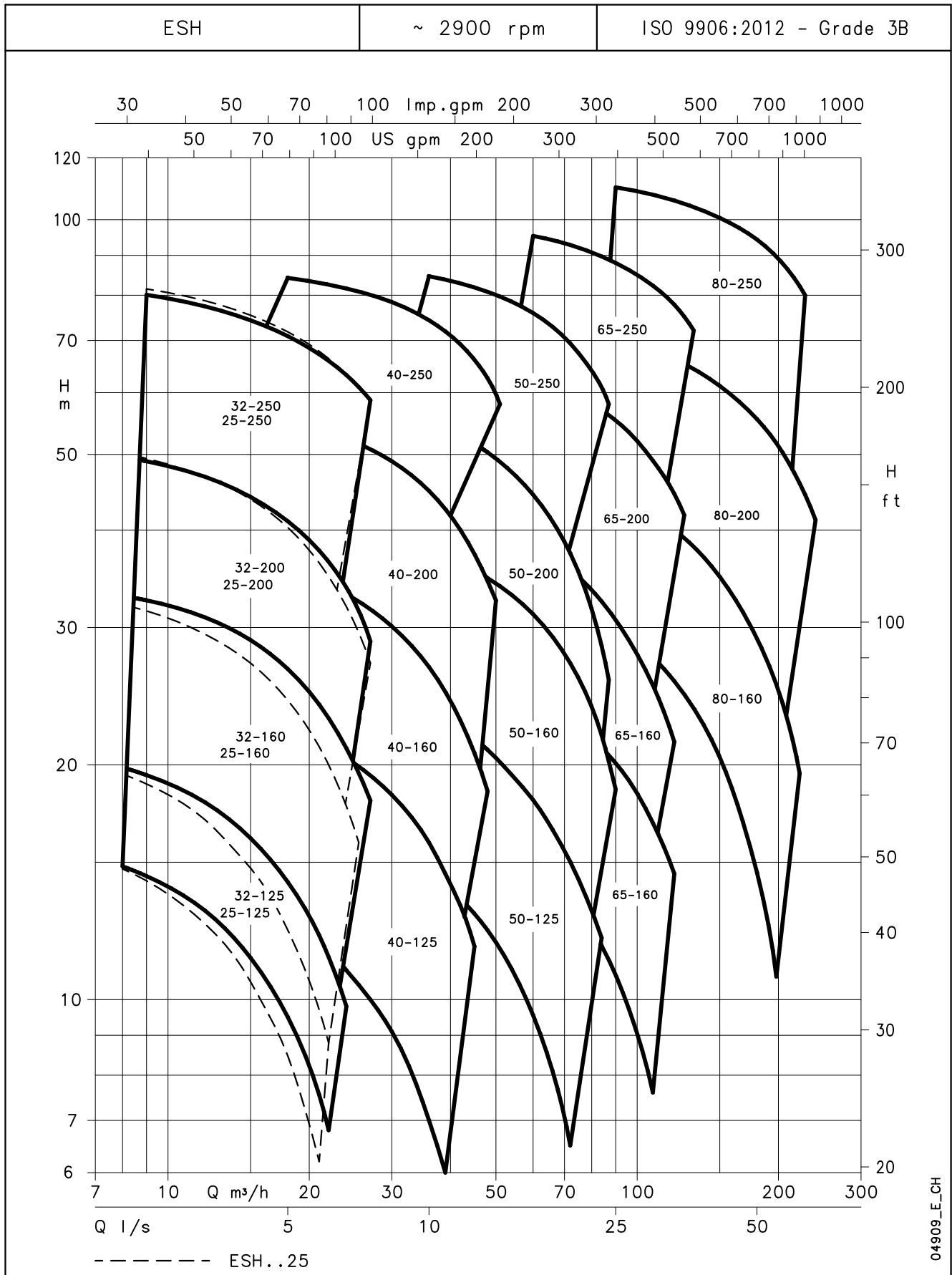
ESH SERIES MINIMUM EFFICIENCY INDEX (MEI)

PUMP SIZE	2-POLE	
	ESH, ESHE ESHF, ESHC	ESHS
25-125/128	≥ 0,40	≥ 0,40
25-160/160	≥ 0,40	≥ 0,40
25-200/199	≥ 0,40	≥ 0,40
25-250/245	≥ 0,40	≥ 0,40
32-125/128	≥ 0,40	≥ 0,40
32-160/160	≥ 0,40	≥ 0,40
32-200/199	≥ 0,40	≥ 0,40
32-250/245	≥ 0,40	≥ 0,40
40-125/135	≥ 0,40	≥ 0,40
40-160/171	≥ 0,40	≥ 0,40
40-200/209	≥ 0,40	≥ 0,40
40-250/251	≥ 0,40	≥ 0,40
50-125/137	≥ 0,40	≥ 0,40
50-160/174	≥ 0,40	≥ 0,40
50-200/209	≥ 0,40	≥ 0,40
50-250/250	≥ 0,40	≥ 0,40
65-160/176	≥ 0,40	≥ 0,40
65-200/215	≥ 0,40	≥ 0,40
65-250/255	≥ 0,40	≥ 0,40
80-160/186	≥ 0,40	≥ 0,40
80-200/226	≥ 0,40	≥ 0,40
80-250/270	≥ 0,40	≥ 0,40

PUMP SIZE	4-POLE	
	ESH, ESHE ESHF	ESHS
25-125/128	≥ 0,40	≥ 0,40
25-160/160	≥ 0,40	≥ 0,40
25-200/199	≥ 0,40	≥ 0,40
25-250/245	≥ 0,40	≥ 0,40
32-125/128	≥ 0,40	≥ 0,40
32-160/160	≥ 0,40	≥ 0,40
32-200/199	≥ 0,40	≥ 0,40
32-250/245	≥ 0,40	≥ 0,40
40-125/135	≥ 0,40	≥ 0,40
40-160/171	≥ 0,40	≥ 0,40
40-200/209	≥ 0,40	≥ 0,40
40-250/251	≥ 0,40	≥ 0,40
50-125/137	≥ 0,40	≥ 0,40
50-160/174	≥ 0,40	≥ 0,40
50-200/209	≥ 0,40	≥ 0,40
50-250/250	≥ 0,40	≥ 0,40
-	-	-
65-200/219	≥ 0,40	≥ 0,40
65-250/255	≥ 0,40	≥ 0,40
80-160/186	≥ 0,40	≥ 0,40
80-200/220	≥ 0,40	≥ 0,40
80-250/270	≥ 0,40	≥ 0,40

ESH-MEI-en_a_sc

ESH SERIES
HYDRAULIC PERFORMANCE RANGE AT 50 Hz, 2 POLES



04909_E_CH

ESH 25, 32, 40, 50 SERIES HYDRAULIC PERFORMANCE TABLE AT 50 Hz, 2 POLES

PUMP TYPE	P _N kW	ØF (1)	η _p % (2)	ØT (3)	Q = DELIVERY													
					l/s	2,0	2,5	3,1	3,6	4,2	4,7	5,3	5,9	6,4	7,0	7,5	8,1	
					0	7	9	11	13	15	17	19	21	23	25	27	29	
					H = TOTAL HEAD METRES COLUMN OF WATER													
25-125/07*	0,75		64,0	114	16,3		14,7	13,8	12,8	11,7	10,5	9,2						
25-125/11*	1,1	128	66,1		20,8		19,3	18,6	17,6	16,6	15,4	14,2	12,8					
25-160/15*	1,5		61,3	145	26,5		25,2	24,2	22,8	21,3	19,4	17,4	15,1	12,5				
25-160/22*	2,2	160	63,2		32,8		31,6	30,7	29,5	28,1	26,4	24,6	22,5	20,2	17,7			
25-200/30	3		52,5	182	43,0		39,8	38,3	36,6	34,5	32,1	29,4	26,4	23,0				
25-200/40	4	199	54,2		52,2		49,0	47,6	45,9	44,0	41,7	39,3	36,5	33,4	30,1			
25-250/55	5,5		47,6	208	57,7		55,9	54,8	53,3	51,5	49,6	47,4	44,7	41,2				
25-250/75	7,5		49,2	228	70,5		68,4	67,5	66,2	64,6	62,7	60,6	58,4	55,8	52,7			
25-250/110	11	245	50,7		82,6		80,3	79,4	78,2	76,6	74,8	72,8	70,7	68,3	65,7			
32-125/07*	0,75		62,2	114	16,1		14,5	13,6	12,5	11,2	9,7	8,1	6,4					
32-125/11*	1,1	128	64,4		20,6		19,2	18,4	17,3	16,1	14,8	13,3	11,7	10,0				
32-160/15*	1,5		58,3	145	26,9		24,9	23,8	22,3	20,6	18,5	16,2	13,7	11,1				
32-160/22*	2,2	160	60,2		33,1		31,3	30,3	29,0	27,5	25,6	23,5	21,2	18,7	16,0			
32-200/30	3		50,8	182	43,4		39,2	37,6	35,6	33,3	30,6	27,7	24,4	20,9				
32-200/40	4	199	52,5		52,6		48,3	46,8	44,9	42,8	40,3	37,6	34,5	31,2	27,6			
32-250/55	5,5		46,1	208	57,5	55,7	55,0	53,9	52,4	50,5	48,3	45,9	43,2					
32-250/75	7,5		47,7	228	70,3		67,5	66,5	65,2	63,5	61,5	59,2	56,7	54,0	50,9			
32-250/110	11	245	49,2		82,3		79,2	78,3	77,0	75,4	73,6	71,4	69,1	66,5	63,7	60,6	57,2	

PUMP TYPE	P _N kW	ØF (1)	η _p % (2)	ØT (3)	Q = DELIVERY													
					l/s	5,0	5,8	6,7	7,5	8,3	9,2	10,0	10,8	11,7	12,5	13,3	14,2	
					0	18	21	24	27	30	33	36	39	42	45	48	51	
					H = TOTAL HEAD METRES COLUMN OF WATER													
40-125/11*	1,1		66,6	111	15,7	12,8	11,8	10,7	9,5	8,3	6,9	5,5	4,0					
40-125/15*	1,5		68,2	122	19,1	16,4	15,5	14,4	13,3	12,1	10,8	9,4	8,0	6,5				
40-125/22*	2,2	135	70,1		23,7	21,1	20,2	19,2	18,1	17,0	15,7	14,4	13,0	11,5	10,1			
40-160/30	3		67,5	159	32,1	29,4	28,3	27,0	25,6	24,1	22,5	20,7	18,9	17,0	15,1			
40-160/40	4	171	69,5		37,9	35,4	34,4	33,2	31,8	30,2	28,5	26,7	24,8	22,7	20,7	18,6		
40-200/55	5,5		65,0	190	49,1	46,3	45,2	43,8	42,2	40,4	38,4	36,1	33,7	31,0	28,1	25,0		
40-200/75	7,5	209	66,5		58,2	55,1	53,9	52,4	50,8	49,0	47,0	44,9	42,5	40,0	37,3	34,4		
40-250/92	9,2		58,0	218	64,9	62,0	60,9	59,6	58,1	56,2	54,1	51,5	48,4	44,6				
40-250/110A	11,0		58,0	218	64,9	62,0	60,9	59,6	58,1	56,2	54,1	51,5	48,4	44,6				
40-250/110	11		58,5	233	74,6	71,3	70,3	69,0	67,6	65,9	63,8	61,5	58,6	55,2	51,3			
40-250/150	15	251	59,0		87,7	84,0	82,9	81,6	80,1	78,4	76,6	74,4	72,0	69,3	66,1	62,4	58,2	

PUMP TYPE	P _N kW	ØF (1)	η _p % (2)	ØT (3)	Q = DELIVERY													
					l/s	10	11	12,73	14,09	15,45	16,82	18,18	19,55	20,91	22,27	23,636	25	
					0	36	41	46	51	56	61	65	70	75	80	85	90	
					H = TOTAL HEAD METRES COLUMN OF WATER													
50-125/22*	2,2		72,9	114	16,8	14,3	13,4	12,4	11,2	9,8	8,4	6,9	5,4					
50-125/30	3		74,6	125	20,4	18,2	17,4	16,5	15,4	14,2	12,9	11,4	9,9	8,3				
50-125/40	4	137	76,5		24,7	22,7	22,0	21,2	20,3	19,2	18,0	16,7	15,3	13,8	12,2			
50-160/55	5,5		72,0	158	34,0	30,5	29,5	28,3	26,9	25,5	23,9	22,2	20,4	18,5	16,4			
50-160/75	7,5	174	74,0		40,7	37,4	36,3	35,2	33,9	32,6	31,0	29,4	27,6	25,6	23,5	21,1	18,6	
50-200/92	9,2		70,0	197	52,9	47,4	45,8	43,8	41,7	39,3	36,7	33,8	30,7	27,4	23,7			
50-200/110A	11		70,0	197	52,9	47,4	45,8	43,8	41,7	39,3	36,7	33,8	30,7	27,4	23,7			
50-250/110	11	209	72,0		38,5	54,5	37,9	37,3	36,4	35,2	33,6	31,6	29,3	26,5	23,5	27,2		
50-250/150	15		69,5	224	70,2	66,6	65,4	64,0	62,4	60,4	58,1	55,3	52,0	48,1				
50-250/185	18,5		68,4	237	79,9	74,9	73,6	72,1	70,4	68,4	66,2	63,6	60,7	57,3	53,4			
50-250/220	22	250	67,3		88,9							84,5	83,7	82,8	81,9	80,9	79,8	

Hydraulic performances in compliance with ISO 9906:2012 - Grade 3B (ex ISO 9906:1999 - Annex A)

(1) External diameter of full impeller (2) Hydraulic efficiency of pump (3) External diameter of trimmed impeller.

ESH-25-32-40-50_2p50-en_a_th

*Available also in single-phase version.

ESH 65, 80 SERIES

HYDRAULIC PERFORMANCE TABLE AT 50 Hz, 2 POLES

PUMP TYPE	P _N kW	ØF (1)	η _p % (2)	ØT (3)	Q = DELIVERY												
					l/s	13	14,77	16,96	19,15	21,34	23,53	25,72	27,91	30,1	32,29	34,477	37
					m ³ /h	0	45	53	61	69	77	85	93	100	108	116	124
H = TOTAL HEAD METRES COLUMN OF WATER																	
65-160/40	4		72,1	127	21,1		17,2	15,7	14,1	12,3	10,6	8,7					
65-160/55	5,5		73,9	140	25,8		22,5	21,1	19,5	17,8	16,1	14,2	12,3	10,3			
65-160/75	7,5		75,7	154	31,5		28,8	27,5	26,0	24,4	22,6	20,8	18,9	16,9	14,9		
65-160/92	9,2		73,0	164	36,3		33,8	32,2	30,3	28,2	25,9	23,6	21,4	19,4	17,7		
65-160/110A	11		73,0	164	36,3		33,8	32,2	30,3	28,2	25,9	23,6	21,4	19,4	17,7		
65-160/110	11	176	74,4		42,1		40,1	38,7	37,0	35,0	32,8	30,5	28,1				
65-200/150	15		71,7	192	52,4	50,3	49,2	47,9	46,2	44,3	42,1	39,6	36,8				
65-200/185	18,5		72,8	203	59,3		56,4	55,2	53,7	51,9	49,9	47,6	45,0	42,2			
65-200/220	22	215	74,0		31,1		30,3	28,4	25,0	20,2		56,1	53,7	51,1	48,2	45,0	
65-250/300	30		74,5	240	83,7			81,5	80,2	78,6	76,7	74,4	71,9	69,0	65,8	62,3	
65-250/370	37	255	73,5		96,5			94,8	93,3	91,6	89,6	87,3	84,8	82,0	79,0	75,7	72,2

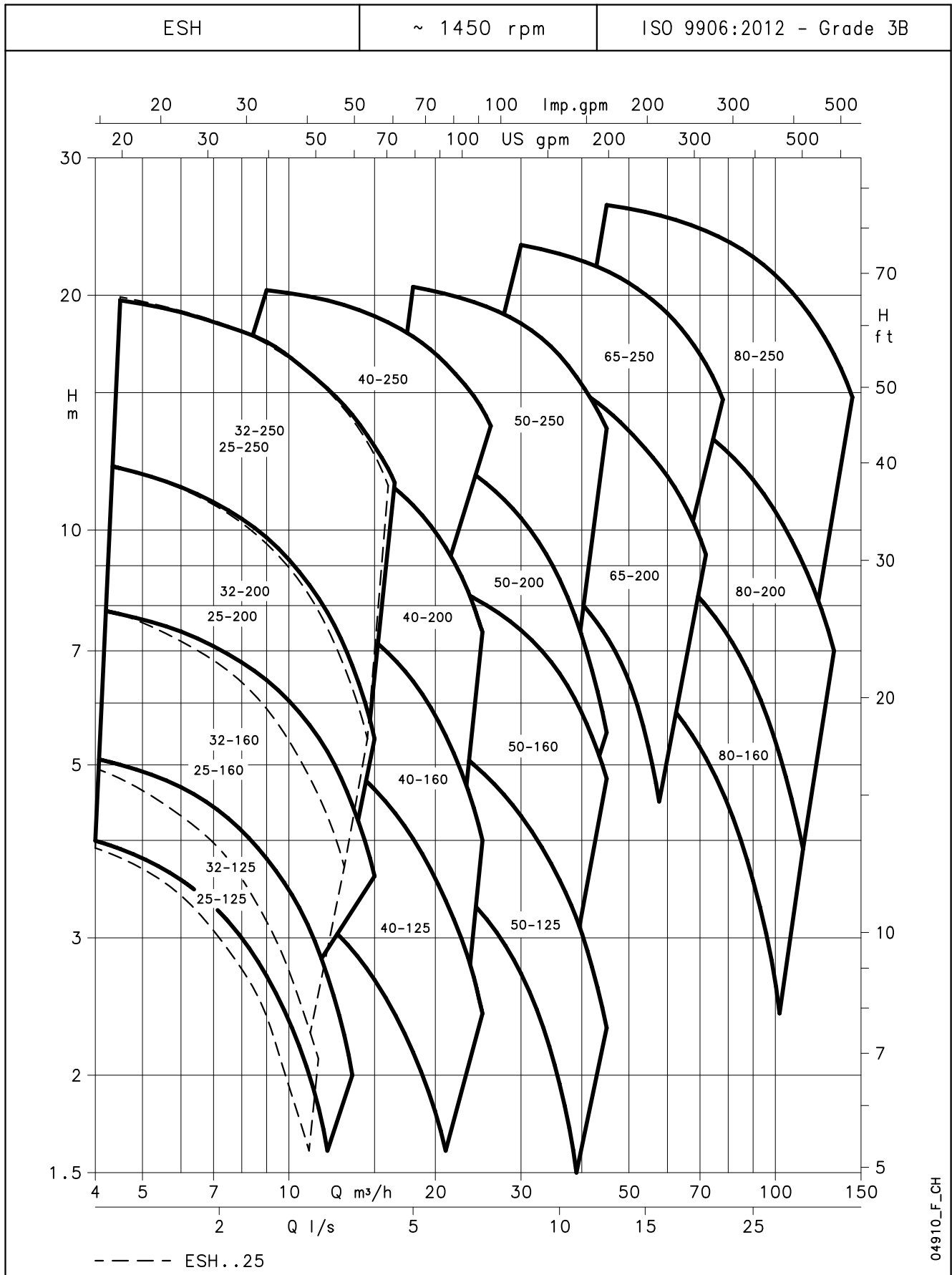
PUMP TYPE	P _N kW	ØF (1)	η _p % (2)	ØT (3)	Q = DELIVERY												
					l/s	20	24,24	28,48	32,73	36,97	41,21	45,45	49,7	53,94	58,18	62,424	67
					m ³ /h	0	72	87	103	118	133	148	164	179	194	209	225
H = TOTAL HEAD METRES COLUMN OF WATER																	
80-160/110	11		75,0	169	33,0	31,8	30,3	28,4	26,1	23,5	20,7	17,7	14,6	11,5			
80-160/150	15		76,5	177	39,5	38,7	37,2	35,4	33,2	30,7	27,9	24,9	21,7	18,5	15,2		
80-160/185	18,5	186	78,0		46,4	45,6	44,1	42,4	40,3	37,9	35,3	32,4	29,3	26,1	22,6		
80-200/220	22		80,5	198	51,8	51,4	50,0	48,2	46,2	43,8	41,2	38,4	35,4	32,1	28,6		
80-200/300	30		81,0	215	62,3	62,6	61,3	59,7	57,7	55,3	52,6	49,7	46,5	43,1	39,6	36,0	
80-200/370	37	226	81,5		69,8	70,8	69,7	68,2	66,4	64,2	61,7	58,9	55,8	52,5	48,9	45,2	41,3
80-250/450	45		79,5	237	82,2			78,7	76,4	73,7	70,5	66,9	63,0	58,6	53,8		
80-250/550	55		80,0	252	93,9			91,8	89,6	87,1	84,1	80,7	77,0	72,9	68,5		
80-250/750	75	270	78,0		109,6			108,4	106,4	103,9	101,1	97,9	94,3	90,4	86,0	81,2	

Hydraulic performances in compliance with ISO 9906:2012 - Grade 3B (ex ISO 9906:1999 - Annex A)

ESH-65-80_2p50-en_a_th

(1) External diameter of full impeller (2) Hydraulic efficiency of pump (3) External diameter of trimmed impeller

ESH SERIES
HYDRAULIC PERFORMANCE RANGE AT 50 Hz, 4 POLES



ESH 25, 32, 40, 50 SERIES HYDRAULIC PERFORMANCE RANGE AT 50 Hz, 4 POLES

PUMP TYPE	P _N kW	ØF (1)	ηp % (2)	ØT (3)	Q = DELIVERY													
					l/s	1,3	1,6	1,9	2,2	2,5	2,8	3,1	3,4	3,7	4,0	4,3	4,6	
					0	5	6	7	8	9	10	11	12	13	14	15	17	
					H = TOTAL HEAD METRES COLUMN OF WATER													
25-125/02A	0,25		58,5	114	4,0	3,5	3,2	2,9	2,6	2,2	1,7							
25-125/02	0,25	128	60,8		5,2	4,7	4,4	4,1	3,8	3,4	3,0	2,5						
25-160/02A	0,25		57,4	145	6,5	6,0	5,7	5,3	4,8	4,3	3,8	3,2						
25-160/02	0,25	160	59,4		8,0	7,5	7,2	6,9	6,5	6,0	5,5	4,9	4,3					
25-200/03	0,37		50,4	182	10,4	9,4	8,9	8,4	7,8	7,1	6,3	5,5	4,6	3,6				
25-200/05	0,55	199	52,2		12,5	11,6	11,1	10,6	10,0	9,4	8,7	7,9	7,0	6,1	5,1			
25-250/07	0,75		46,8	208	14,4	13,6	13,3	12,9	12,5	11,9	11,3	10,5	9,8	8,9	8,1			
25-250/11	1,1		48,4	228	17,5	16,7	16,4	16,1	15,7	15,1	14,6	13,9	13,2	12,4	11,5	10,7		
25-250/15	1,5	245	49,7		20,4	19,6	19,3	19,0	18,6	18,1	17,6	17,0	16,3	15,5	14,7	13,9	13,0	
32-125/02A	0,25		59,9	114	4,0	3,6	3,4	3,1	2,8	2,4	2,0	1,5						
32-125/02	0,25	128	62,3		5,2	4,8	4,6	4,3	4,0	3,6	3,3	2,8	2,4	1,9				
32-160/02A	0,25		58,0	145	6,6	6,0	5,7	5,3	4,8	4,2	3,6	2,9						
32-160/02	0,25	160	60,0		8,1	7,5	7,2	6,9	6,4	5,9	5,4	4,7	4,0	3,3	2,5			
32-200/03	0,37		49,9	182	10,5	9,4	8,9	8,4	7,7	7,0	6,2	5,3	4,3	3,2				
32-200/05	0,55	199	51,6		12,7	11,6	11,2	10,6	10,0	9,3	8,5	7,7	6,8	5,8	4,7			
32-250/07	0,75		44,0	208	14,2	13,5	13,2	12,8	12,3	11,7	11,0	10,2	9,3	8,3	7,1			
32-250/11	1,1		45,6	228	17,4	16,6	16,3	15,9	15,5	14,9	14,3	13,6	12,8	11,9	10,9	9,8		
32-250/15	1,5	245	46,9		20,3	19,5	19,2	18,9	18,4	17,9	17,3	16,7	15,9	15,1	14,2	13,2	12,2	

PUMP TYPE	P _N kW	ØF (1)	ηp % (2)	ØT (3)	Q = DELIVERY													
					l/s	2,5	2,9	3,4	3,8	4,2	4,6	5,1	5,5	5,9	6,4	6,8	7,2	
					0	9	11	12	14	15	17	18	20	21	23	24	26	
					H = TOTAL HEAD METRES COLUMN OF WATER													
40-125/02A	0,25		66,2	122	4,5	3,7	3,4	3,2	2,9	2,6	2,2							
40-125/02	0,25	135	68,2		5,6	4,8	4,5	4,3	4,0	3,7	3,4	3,0	2,7	2,3	2,0			
40-160/03	0,37		67,6	159	8,0	7,2	6,9	6,6	6,3	5,9	5,5	5,0	4,6	4,1	3,5			
40-160/05	0,55	171	66,5		9,2	8,5	8,2	7,9	7,6	7,2	6,8	6,3	5,8	5,3	4,8	4,2		
40-200/07	0,75		64,3	190	11,9	11,2	10,9	10,5	10,1	9,6	9,1	8,5	7,8	7,1	6,4			
40-200/11	1,1	209	62,9		14,2	13,3	13,0	12,6	12,2	11,8	11,2	10,7	10,0	9,3	8,6	7,7		
40-250/11	1,1		55,8	218	15,6	14,6	14,3	13,9	13,5	13,0	12,4	11,7	11,0	10,1				
40-250/15	1,5		57,0	233	18,1	17,0	16,7	16,3	15,9	15,5	14,9	14,3	13,7	12,9	12,1			
40-250/22	2,2	251	58,1		21,5	20,4	20,0	19,6	19,2	18,7	18,2	17,6	16,9	16,2	15,4	14,6	13,6	

PUMP TYPE	P _N kW	ØF (1)	ηp % (2)	ØT (3)	Q = DELIVERY													
					l/s	5	6	6,364	7,045	7,727	8,409	9,091	9,773	10,45	11,14	11,818	12,5	
					0	18	20	23	25	28	30	33	35	38	40	43	45	
					H = TOTAL HEAD METRES COLUMN OF WATER													
50-125/02	0,25		71,5	114	4,1	3,4	3,1	2,9	2,6	2,3	2,0	1,7	1,3	0,9				
50-125/03	0,37		73,2	125	5,0	4,3	4,1	3,9	3,6	3,3	3,0	2,7	2,3	2,0	1,6			
50-125/05	0,55	137	75,1		6,0	5,4	5,2	5,0	4,8	4,5	4,2	3,9	3,6	3,2	2,9	2,5	2,1	
50-160/07	0,75		71,3	158	8,2	7,3	7,1	6,8	6,5	6,2	5,8	5,5	5,1	4,6	4,2			
50-160/11	1,1	174	73,0		9,8	8,8	8,6	8,3	8,0	7,7	7,4	7,0	6,7	6,3	5,8	5,3	4,8	
50-200/11	1,1		69,1	197	12,8	11,2	10,7	10,2	9,7	9,1	8,5	7,8	7,1	6,3	5,5			
50-200/15	1,5	209	70,1		14,7	13,0	12,6	12,1	11,5	10,9	10,3	9,6	8,9	8,1	7,3	6,4	5,5	
50-250/22A	2,2		70,0	224	38,5	16,0	37,9	37,3	36,4	35,2	33,6	31,6	29,3	26,5	23,5			
50/250/22	2,2		69,0	237	19,4	17,8	17,4	17,0	16,5	16,0	15,4	14,8	14,0	13,2	12,3	11,3		
50-250/30	3	250	67,9		21,9	20,6	20,2	19,8	19,4	18,8	18,3	17,6	17,0	16,2	15,4	14,5	13,5	

Hydraulic performances in compliance with ISO 9906:2012 - Grade 3B (ex ISO 9906:1999 - Annex A)

ESH-25-32-40-50_4p50-en_a_th

(1) Diametro esterno girante piena (2) Efficienza idraulica della pompa (3) Diametro esterno girante ridotta (tornita).

ESH 65, 80 SERIES HYDRAULIC PERFORMANCE RANGE AT 50 Hz, 4 POLES

PUMP TYPE	P _N kW	ØF (1)	ηp % (2)	ØT (3)	Q = DELIVERY													
					l/s	8	8,788	10,08	11,36	12,65	13,94	15,23	16,52	17,8	19,09	20,379	22	
					0	27	32	36	41	46	50	55	59	64	69	73	78	
H = TOTAL HEAD METRES COLUMN OF WATER																		
65-200/15	1,5		68,2	176	10,7	9,8	9,3	8,7	8,1	7,3	6,3	5,3	4,0					
65-200/22	2,2		70,2	199	13,8	13,1	12,7	12,2	11,6	11,0	10,2	9,3	8,4	7,3				
65-200/30	3	219	72,0		16,9	16,3	15,9	15,5	15,0	14,4	13,8	13,0	12,1	11,2	10,2			
65-250/40	4		71,9	240	20,4		19,3	18,8	18,3	17,6	16,9	16,1	15,2	14,2	13,0			
65-250/55	5,5	255	71,0		23,7		23,1	22,6	22,0	21,4	20,7	19,9	19,1	18,1	17,1	16,0	14,7	

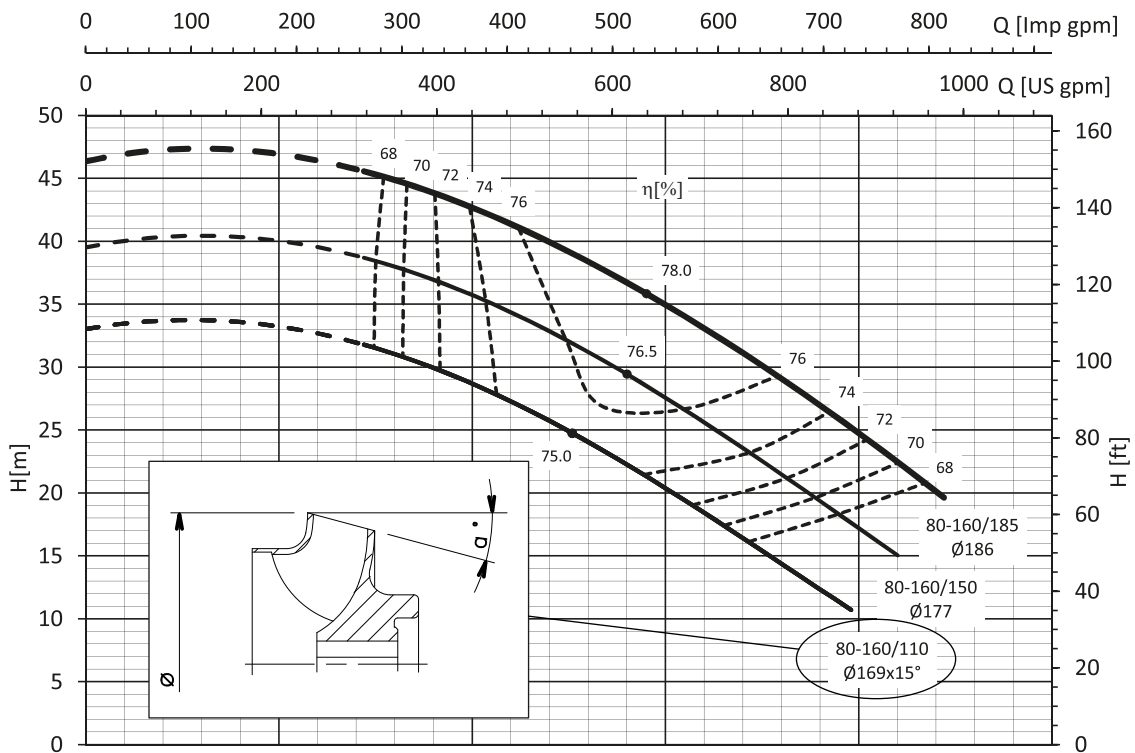
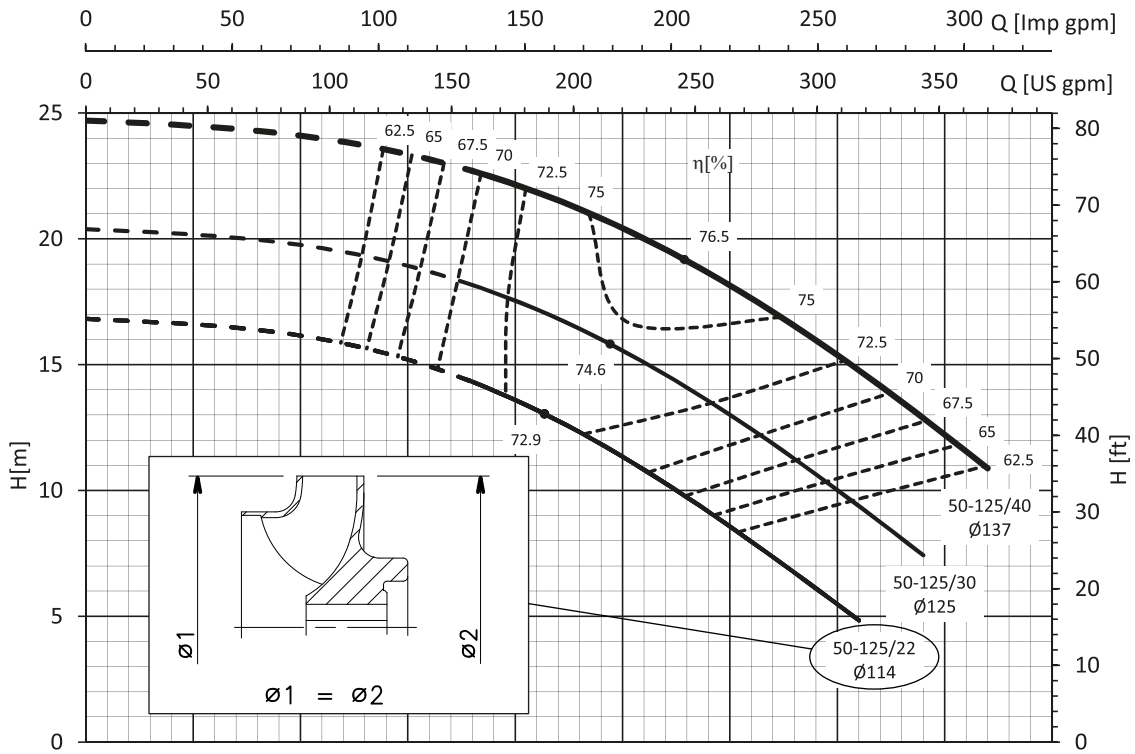
PUMP TYPE	P _N kW	ØF (1)	ηp % (2)	ØT (3)	Q = DELIVERY													
					l/s	10	12,73	15,45	18,18	20,91	23,64	26,36	29,09	31,82	34,55	37,273	40	
					0	36	46	56	65	75	85	95	105	115	124	134	144	
H = TOTAL HEAD METRES COLUMN OF WATER																		
80-160/15	1,5		75,2	169	8,0	7,6	7,0	6,3	5,6	4,8	4,0	3,1						
80-160/22A	2,2		74,2	177	9,4	9,0	8,5	7,8	7,1	6,3	5,4	4,5	3,5					
80-160/22	2,2	186	73,4		10,8	10,4	9,9	9,2	8,5	7,7	6,8	5,9	4,9					
80-200/30	3		80,5	198	12,3		11,9	11,2	10,4	9,5	8,5	7,5	6,4	5,3				
80-200/40	4	220,0	78,3		15,4		15,3	14,7	13,9	13,0	12,1	11,1	10,1	9,0	7,9			
80-250/55	5,5		77,5	237	20,3					19,5	19,2	18,9	18,5	18,1	17,6	17,2	16,6	
80-250/75	7,5		76,7	252	23,1					22,2	21,9	21,6	21,3	20,9	20,5	20,1	19,7	
80-250/110	11	270	74,3		26,6					26,1	25,8	25,5	25,2	24,8	24,5	24,1	23,6	

Hydraulic performances in compliance with ISO 9906:2012 - Grade 3B (ex ISO 9906:1999 - Annex A)

ESH-65-80_4p50_a_th

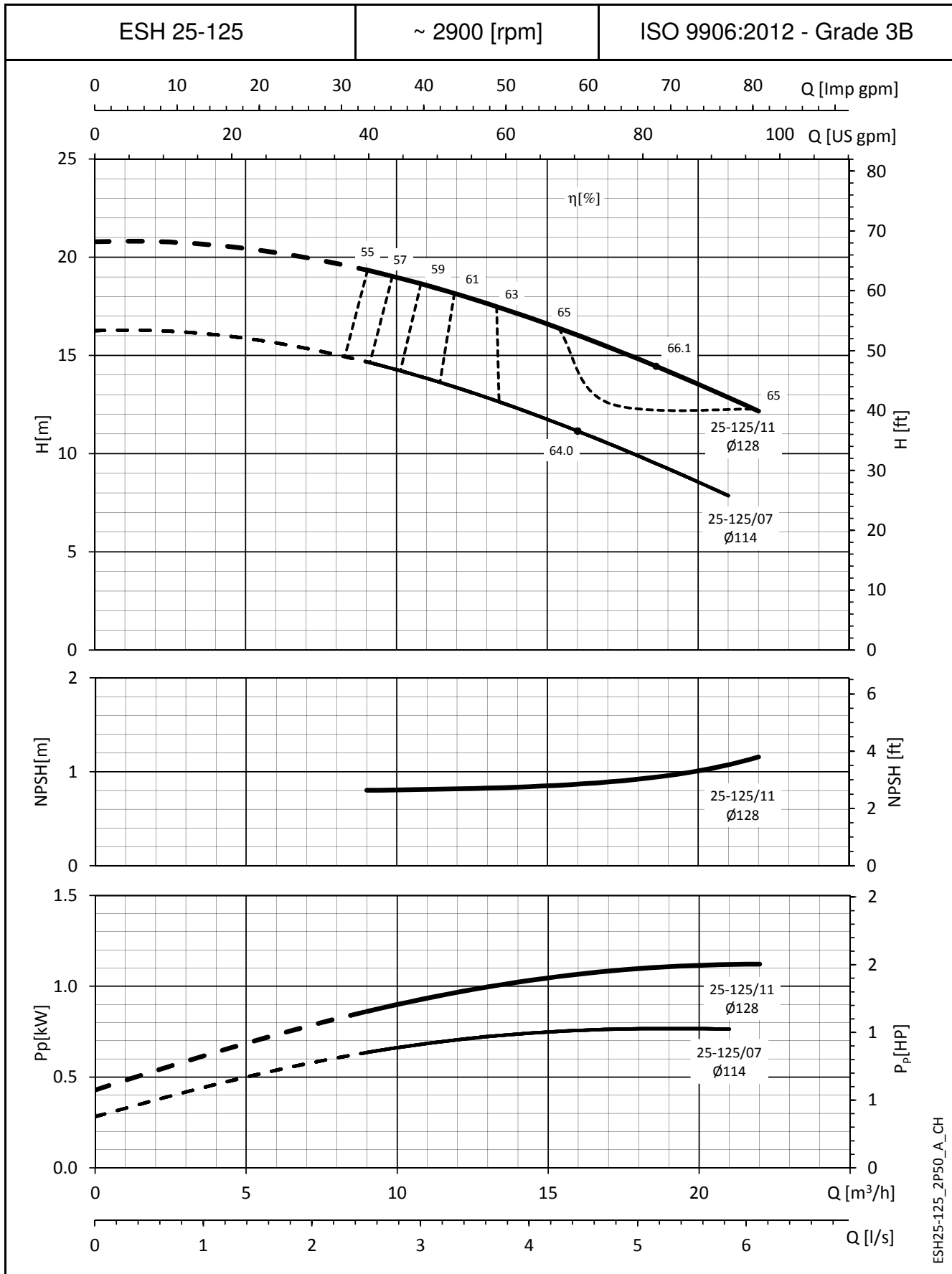
(1) External diameter of full impeller (2) Hydraulic efficiency of pump (3) External diameter of trimmed impeller.

ESH SERIES IDENTIFICATION OF IMPELLER TYPOLOGY



04940_B_SC

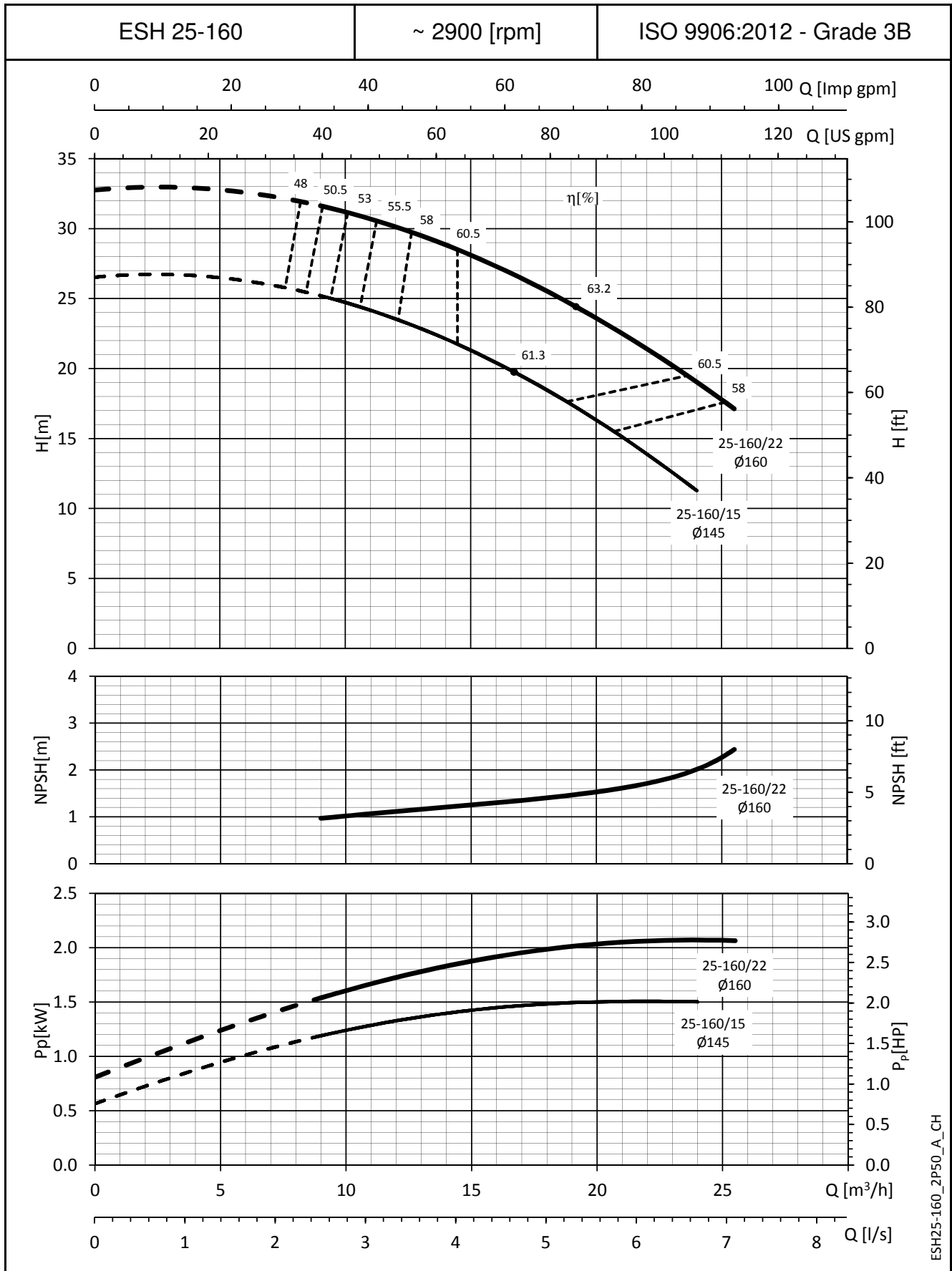
ESH SERIES
OPERATING CHARACTERISTICS AT 50 Hz, 2 POLES



ESH25-125_2P50_A_CH

The NPSH values are laboratory values; for practical use we suggest increasing these values by 0,5 m.
These performances are valid for liquids with density $\rho = 1,0 \text{ Kg/dm}^3$ and kinematic viscosity $\nu = 1 \text{ mm}^2/\text{sec}$.

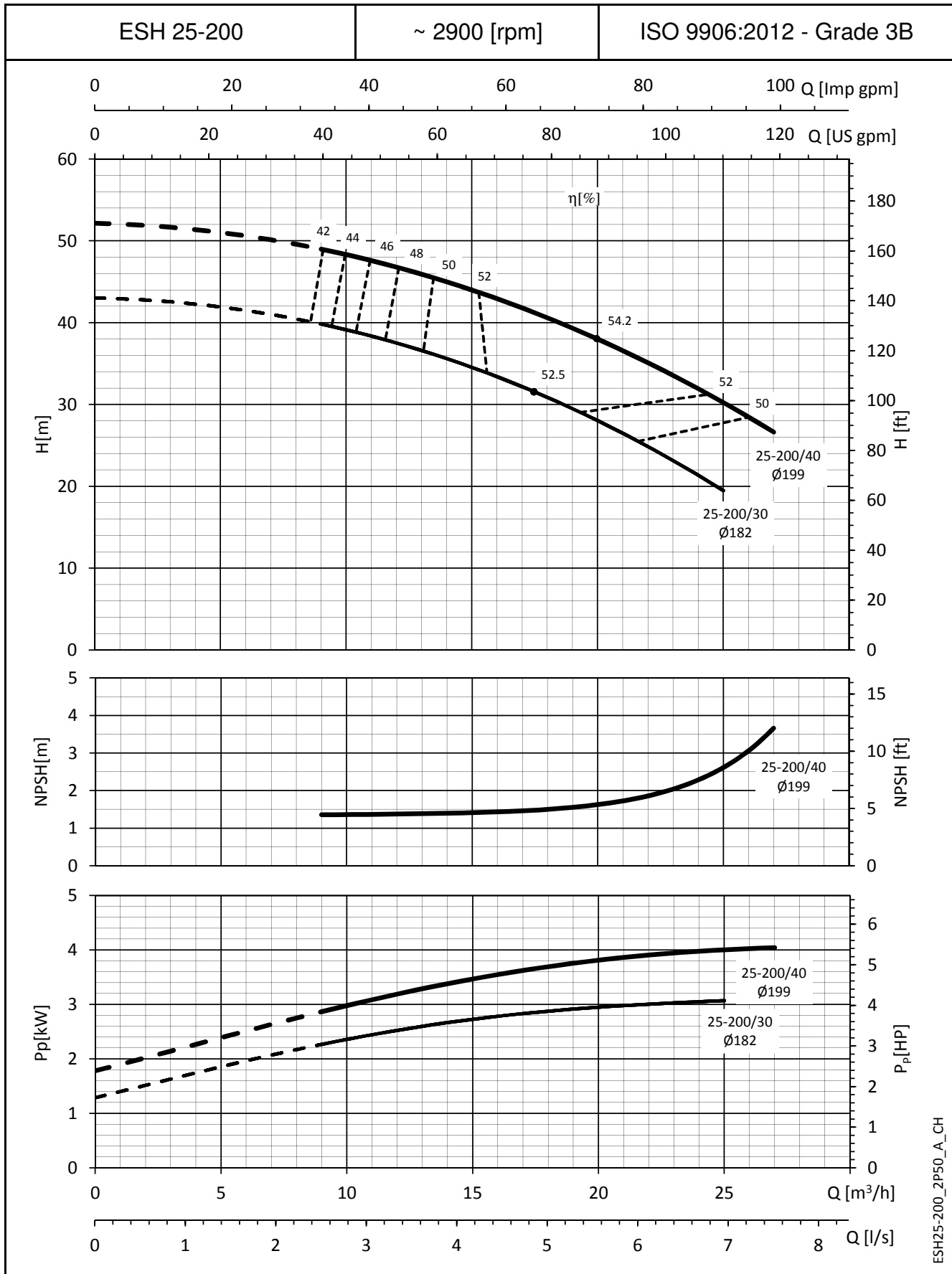
ESH SERIES
OPERATING CHARACTERISTICS AT 50 Hz, 2 POLES



ESH25-160_2P50_A_CH

The NPSH values are laboratory values; for practical use we suggest increasing these values by 0,5 m.
These performances are valid for liquids with density $\rho = 1,0 \text{ Kg/dm}^3$ and kinematic viscosity $\nu = 1 \text{ mm}^2/\text{sec}$.

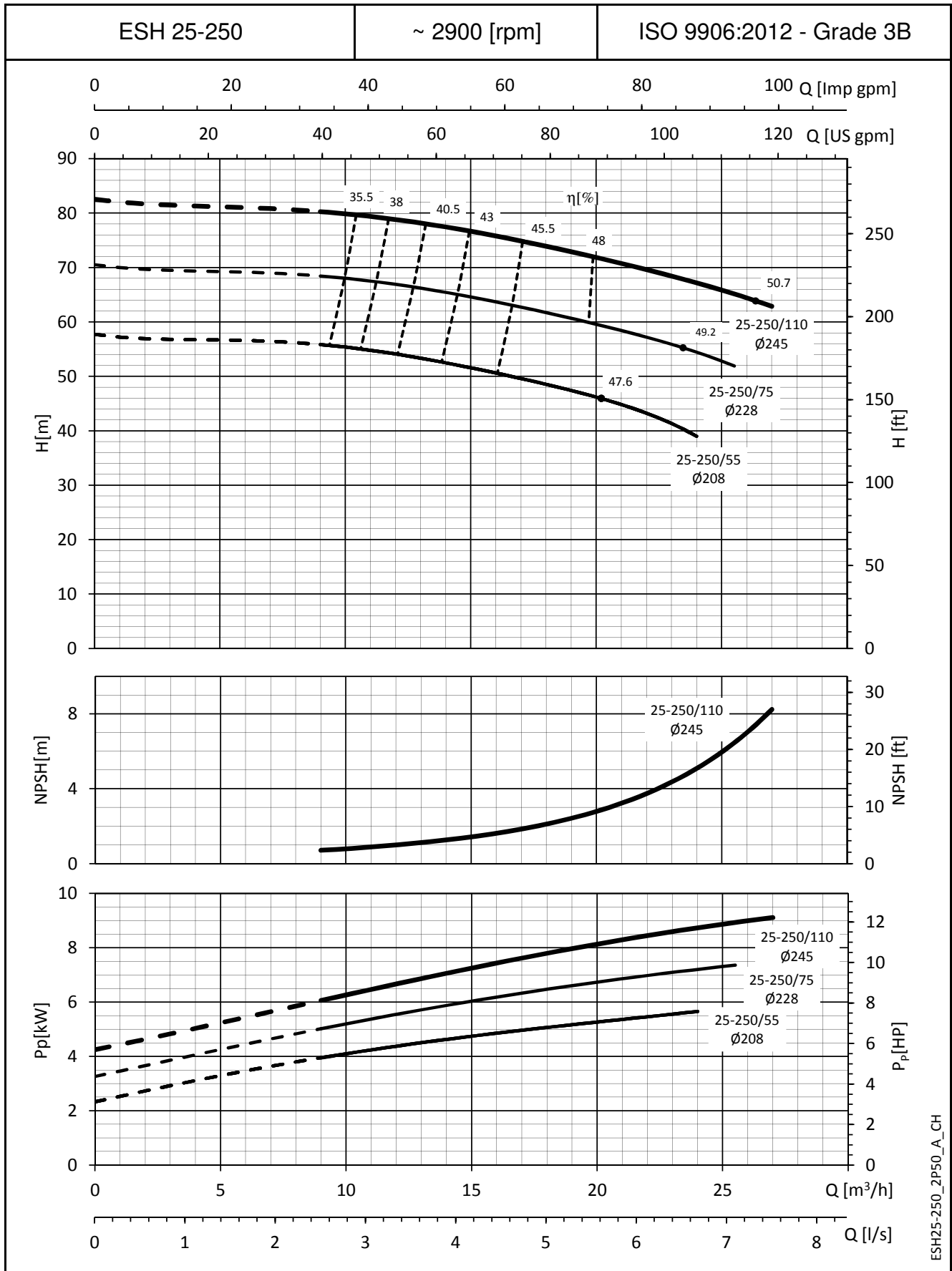
ESH SERIES
OPERATING CHARACTERISTICS AT 50 Hz, 2 POLES



ESH25-200_2P50_A_CH

The NPSH values are laboratory values; for practical use we suggest increasing these values by 0,5 m.
These performances are valid for liquids with density $\rho = 1,0 \text{ Kg/dm}^3$ and kinematic viscosity $\nu = 1 \text{ mm}^2/\text{sec}$.

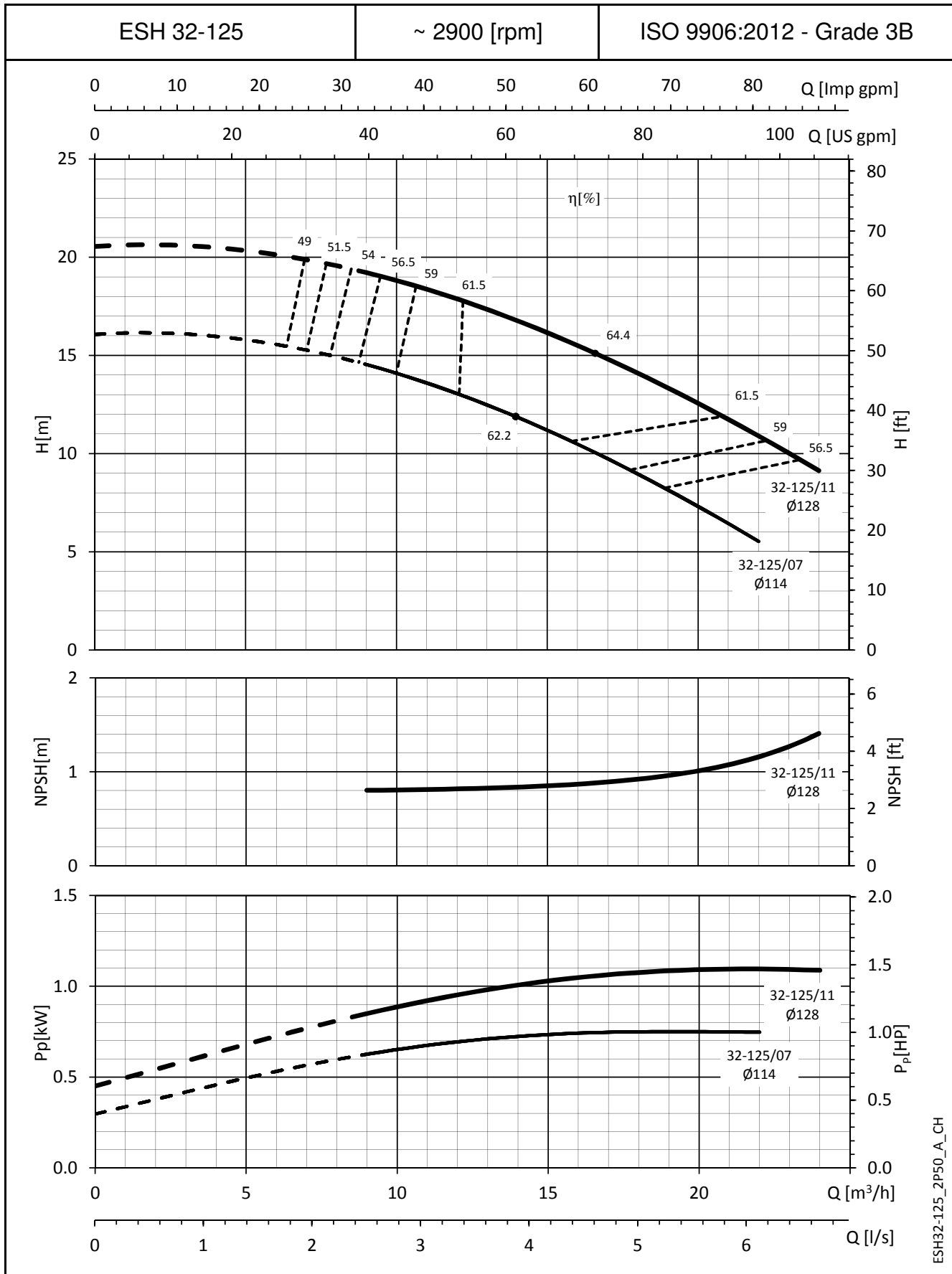
ESH SERIES
OPERATING CHARACTERISTICS AT 50 Hz, 2 POLES



ESH25-250_2P50_A_CH

The NPSH values are laboratory values; for practical use we suggest increasing these values by 0,5 m.
These performances are valid for liquids with density $\rho = 1,0 \text{ Kg/dm}^3$ and kinematic viscosity $\nu = 1 \text{ mm}^2/\text{sec}$.

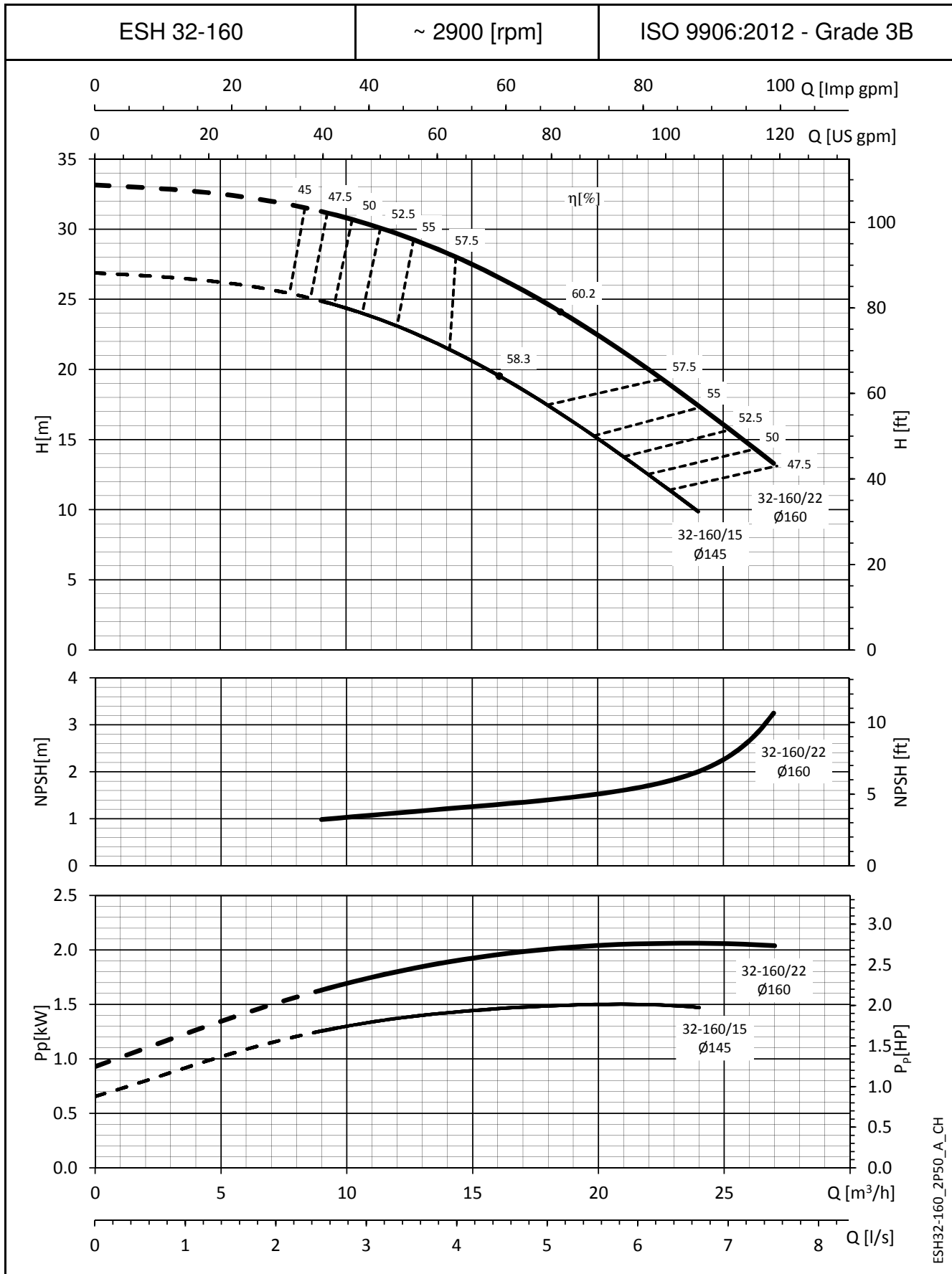
ESH SERIES
OPERATING CHARACTERISTICS AT 50 Hz, 2 POLES



ESH32-125_2P50_A_CH

The NPSH values are laboratory values; for practical use we suggest increasing these values by 0,5 m.
These performances are valid for liquids with density $\rho = 1,0 \text{ Kg/dm}^3$ and kinematic viscosity $\nu = 1 \text{ mm}^2/\text{sec}$.

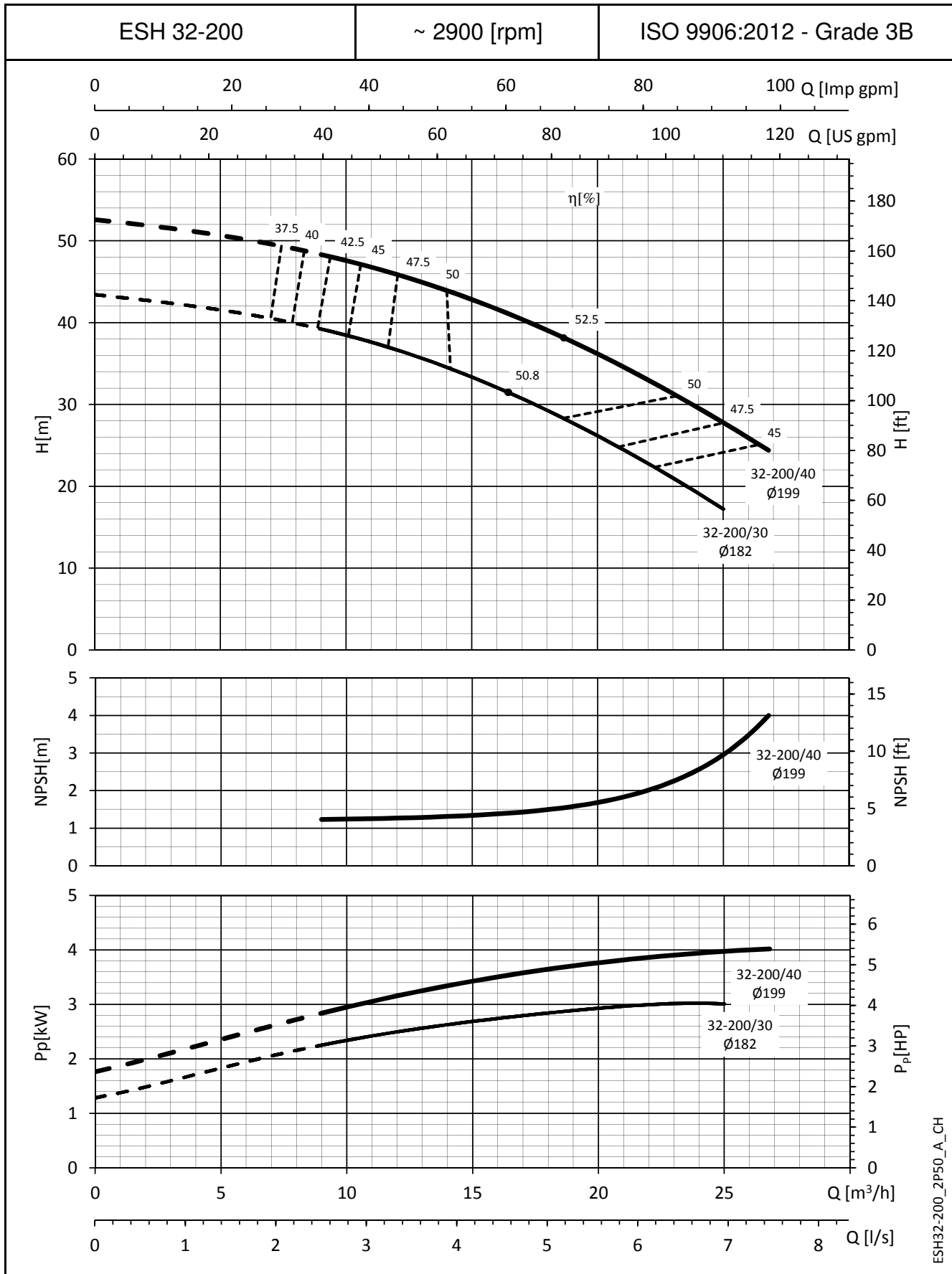
ESH SERIES OPERATING CHARACTERISTICS AT 50 Hz, 2 POLES



ESH32-160_2P50_A_CH

The NPSH values are laboratory values; for practical use we suggest increasing these values by 0,5 m.
These performances are valid for liquids with density $\rho = 1,0 \text{ Kg/dm}^3$ and kinematic viscosity $\nu = 1 \text{ mm}^2/\text{sec}$.

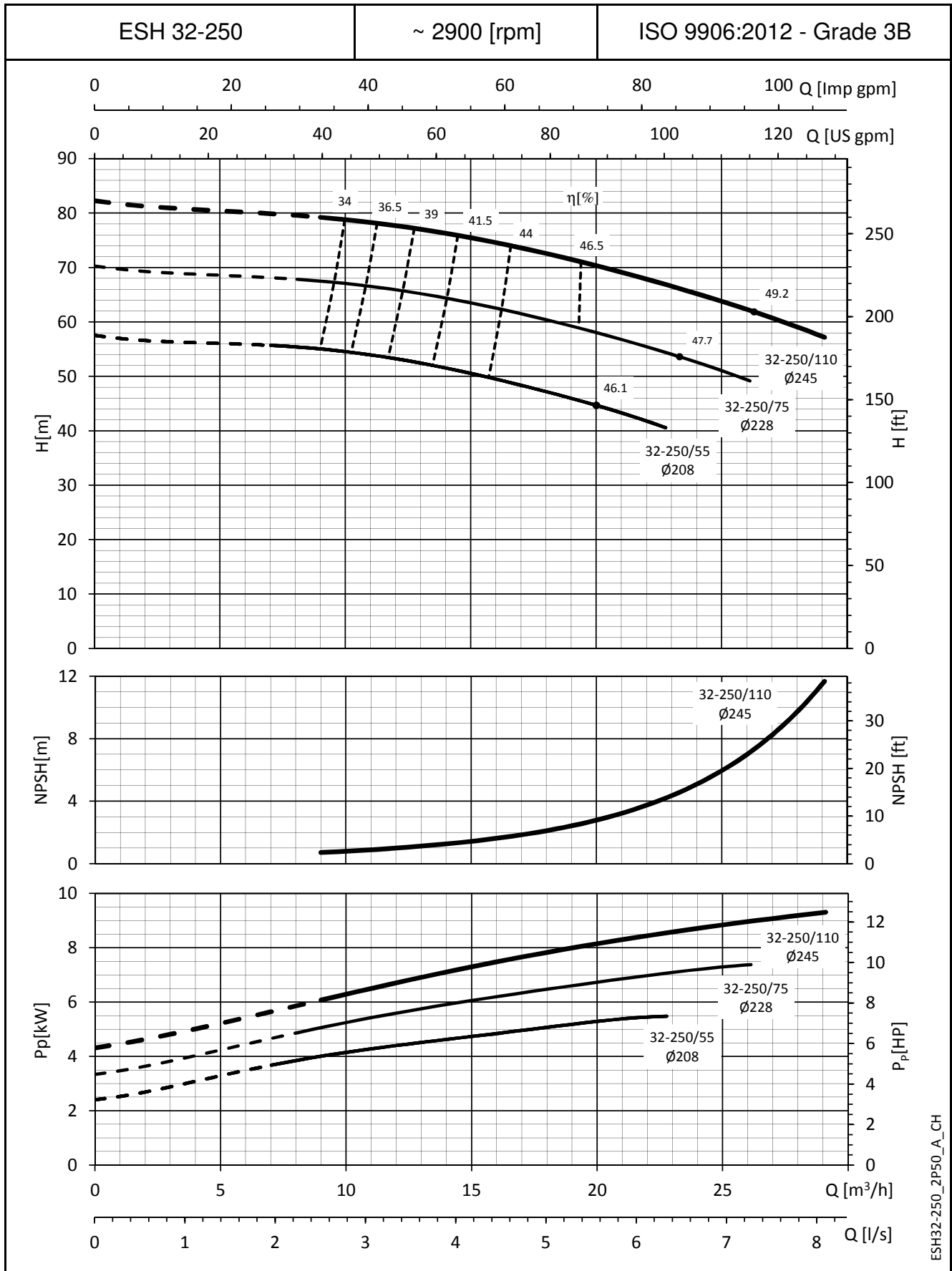
ESH SERIES
OPERATING CHARACTERISTICS AT 50 Hz, 2 POLES



ESH32-200_2P50_A_CH

The NPSH values are laboratory values; for practical use we suggest increasing these values by 0,5 m.
These performances are valid for liquids with density $\rho = 1,0 \text{ Kg/dm}^3$ and kinematic viscosity $\nu = 1 \text{ mm}^2/\text{sec}$.

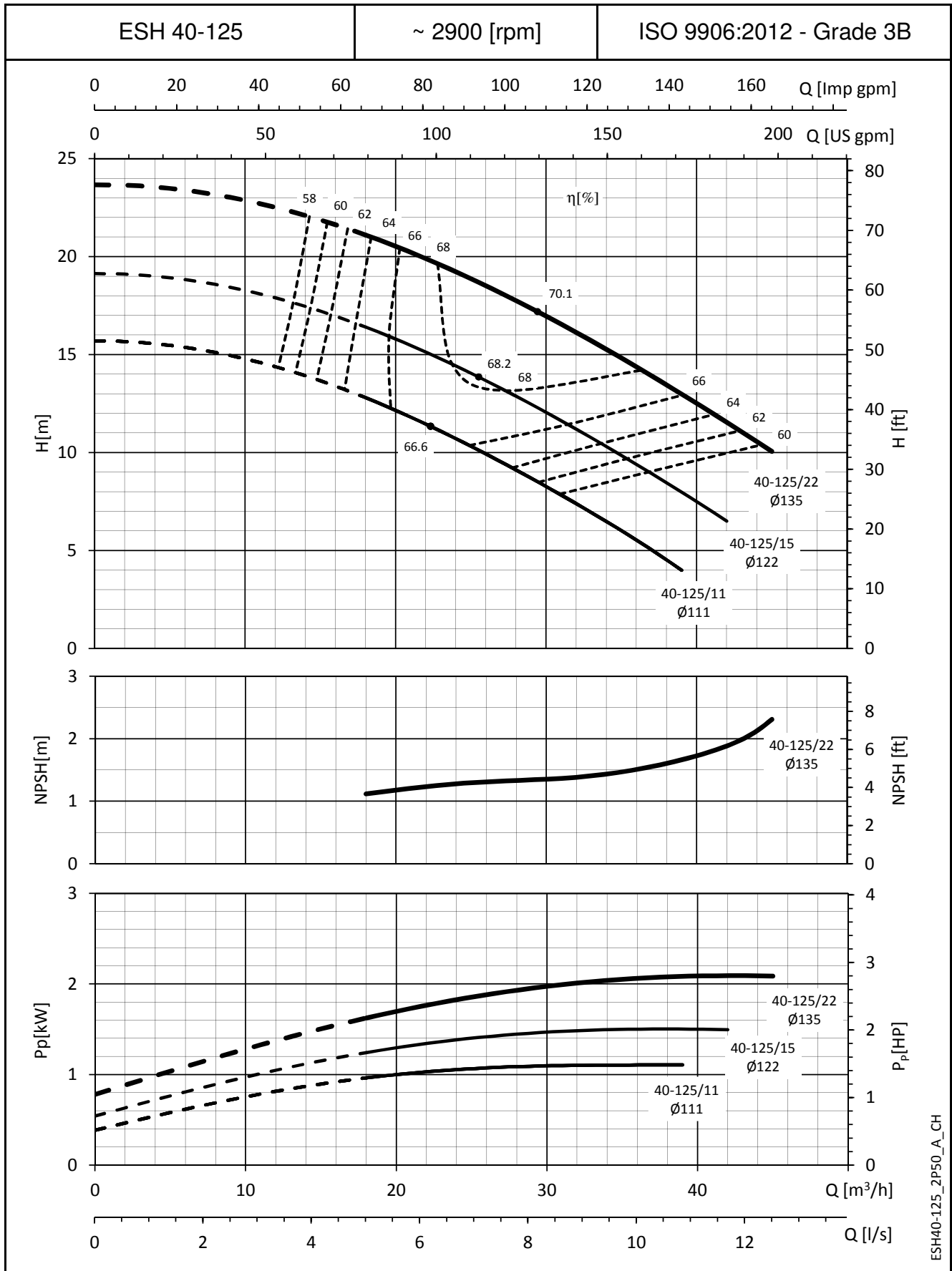
ESH SERIES
OPERATING CHARACTERISTICS AT 50 Hz, 2 POLES



ESH32-250_2P50_A_CH

The NPSH values are laboratory values; for practical use we suggest increasing these values by 0,5 m.
These performances are valid for liquids with density $\rho = 1,0 \text{ Kg/dm}^3$ and kinematic viscosity $\nu = 1 \text{ mm}^2/\text{sec}$.

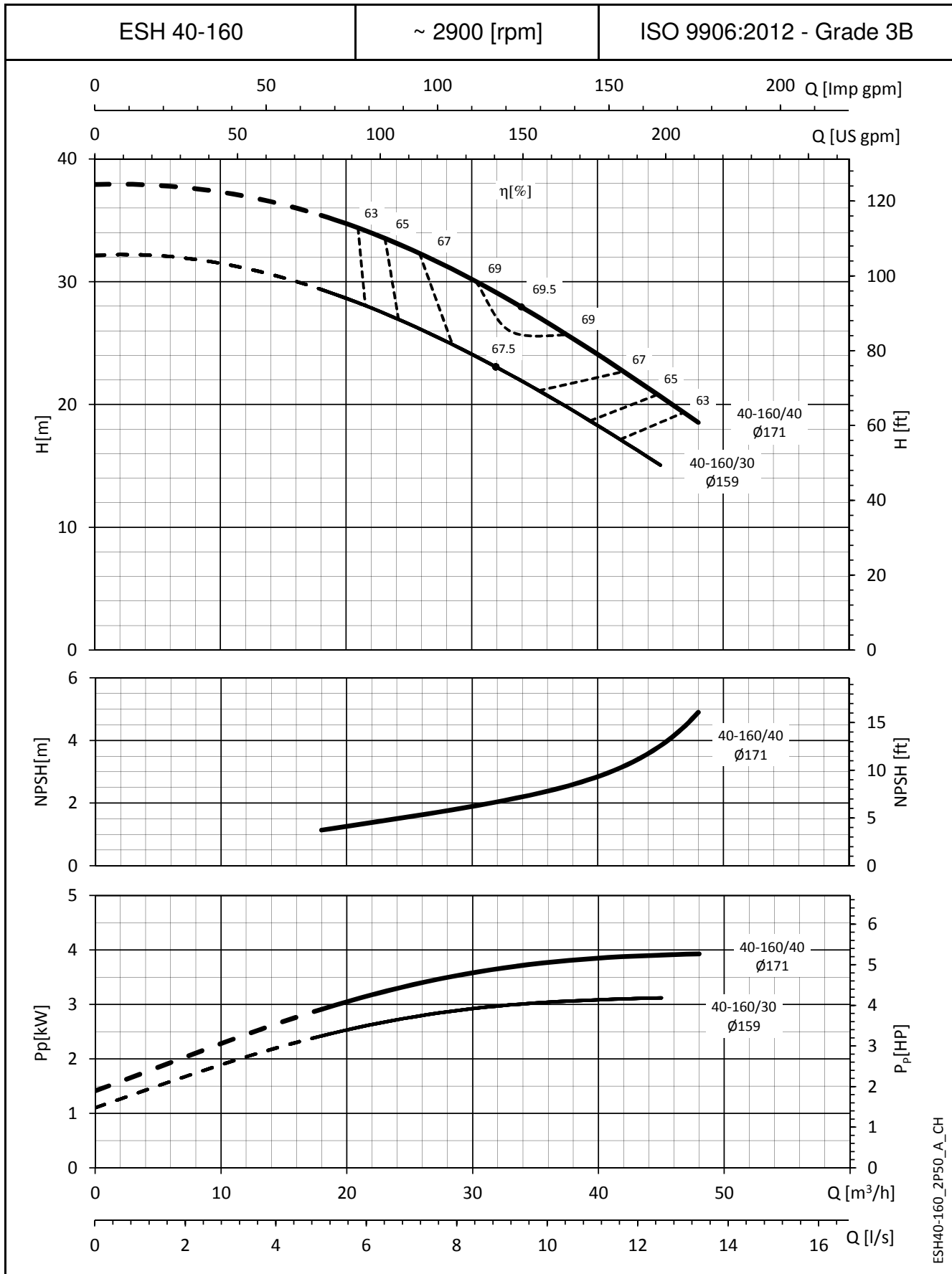
ESH SERIES
OPERATING CHARACTERISTICS AT 50 Hz, 2 POLES



ESH40-125_2P50_A_CH

The NPSH values are laboratory values; for practical use we suggest increasing these values by 0,5 m.
These performances are valid for liquids with density $\rho = 1,0 \text{ Kg/dm}^3$ and kinematic viscosity $\nu = 1 \text{ mm}^2/\text{sec}$.

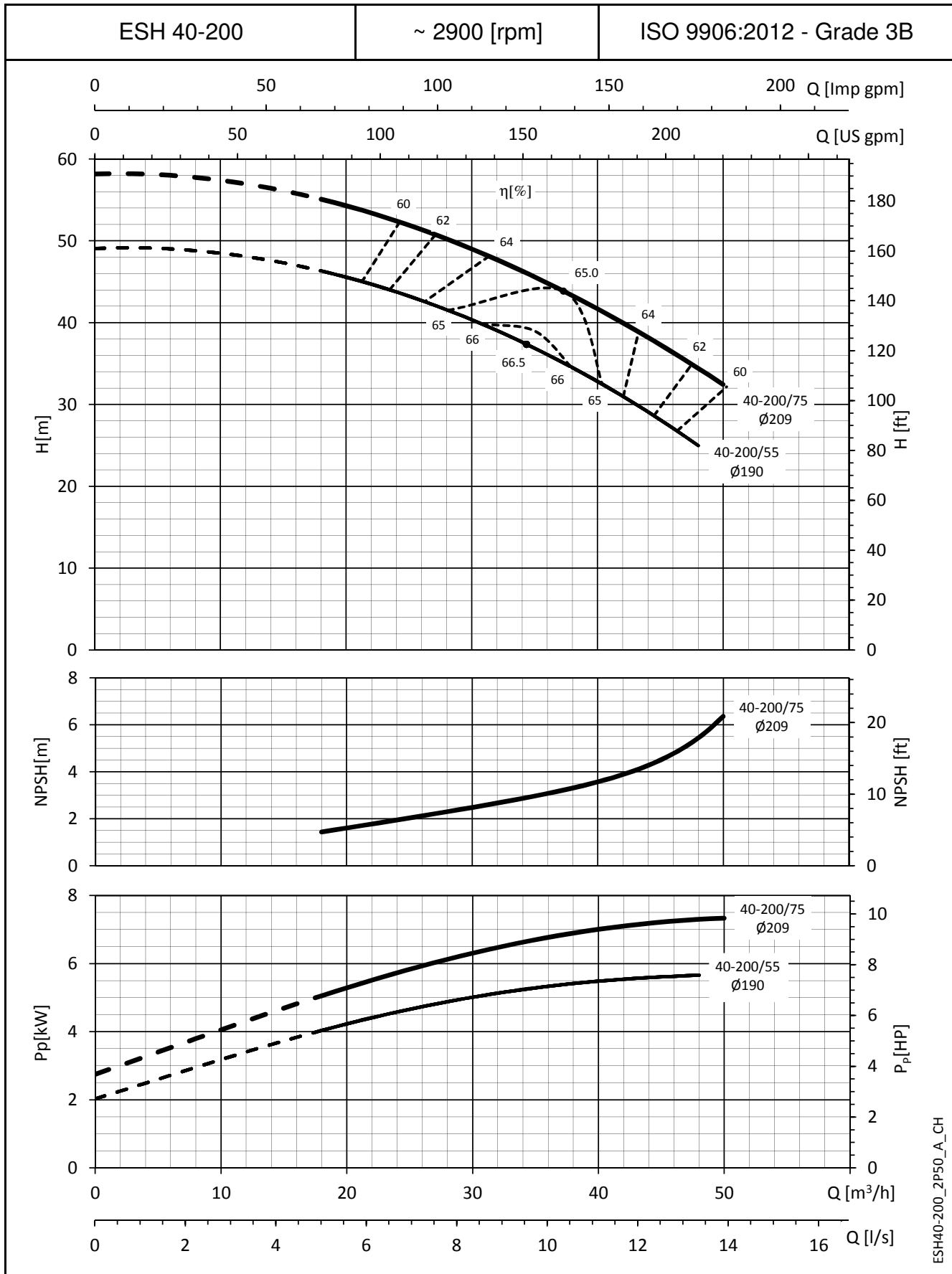
ESH SERIES
OPERATING CHARACTERISTICS AT 50 Hz, 2 POLES



ESH40-160_2P50_A_CH

The NPSH values are laboratory values; for practical use we suggest increasing these values by 0,5 m.
 These performances are valid for liquids with density $\rho = 1,0 \text{ Kg/dm}^3$ and kinematic viscosity $\nu = 1 \text{ mm}^2/\text{sec}$.

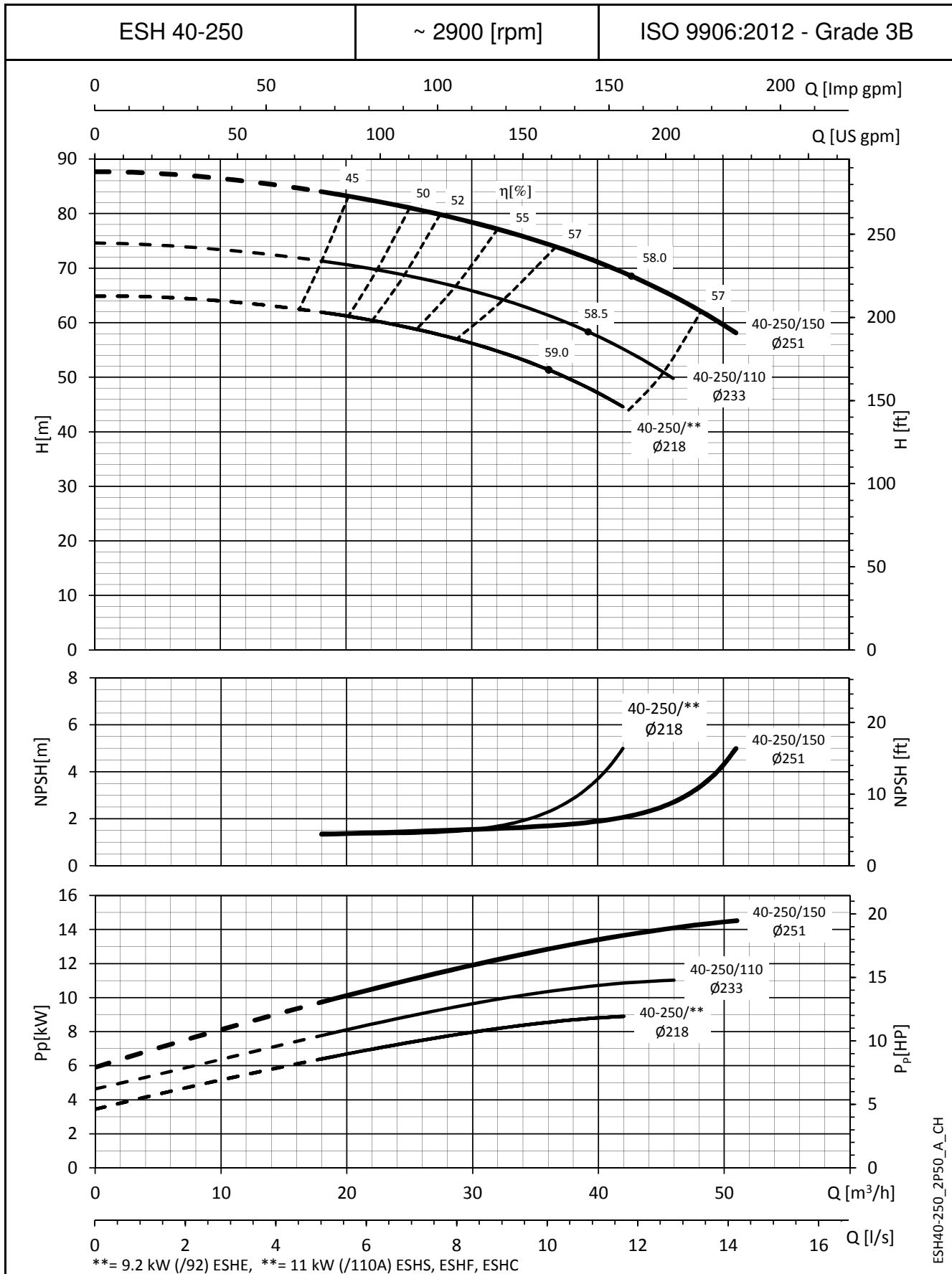
ESH SERIES
OPERATING CHARACTERISTICS AT 50 Hz, 2 POLES



ESH40-200_2P50_A_CH

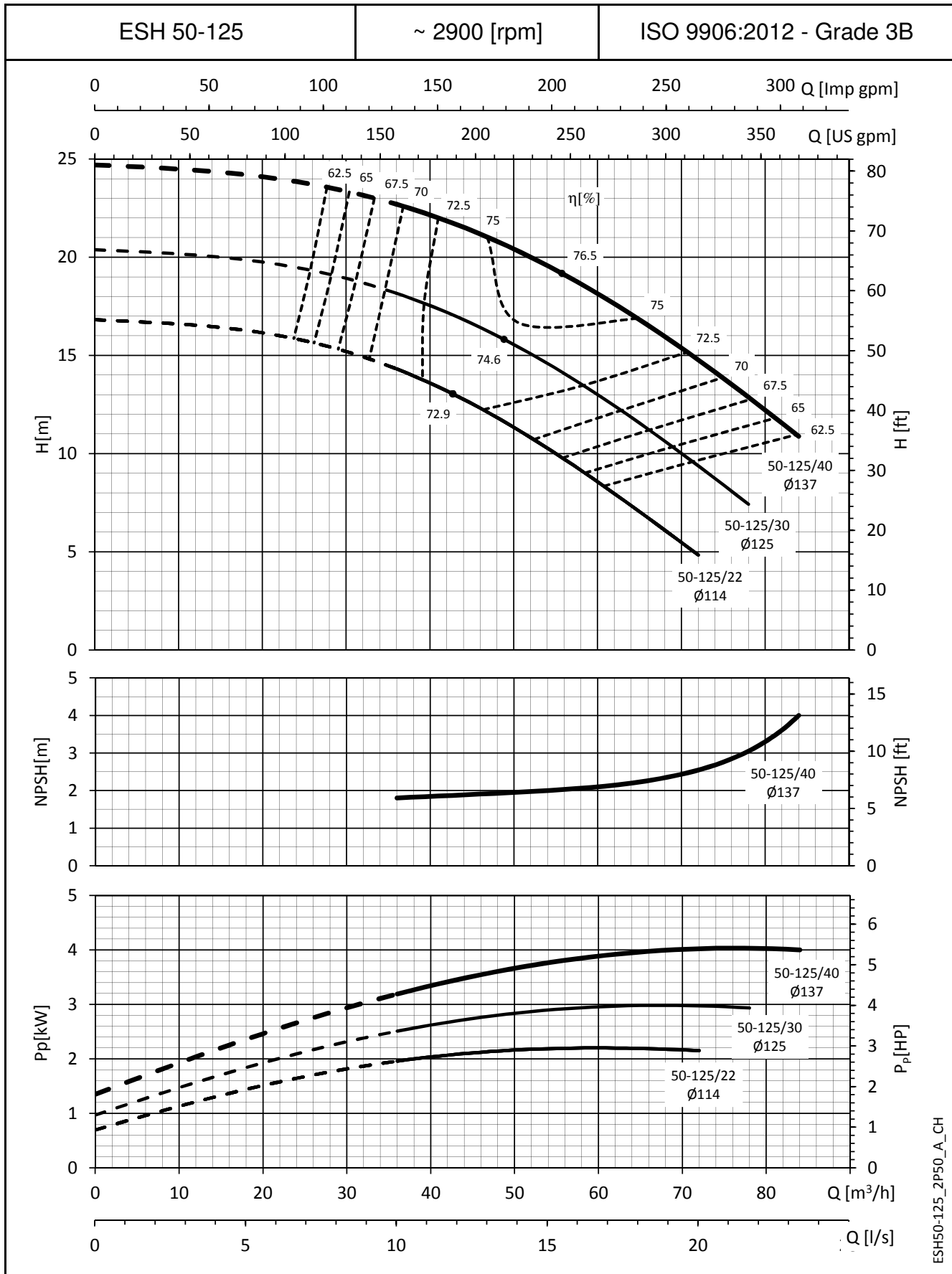
The NPSH values are laboratory values; for practical use we suggest increasing these values by 0,5 m.
These performances are valid for liquids with density $\rho = 1,0 \text{ Kg/dm}^3$ and kinematic viscosity $\nu = 1 \text{ mm}^2/\text{sec}$.

ESH SERIES OPERATING CHARACTERISTICS AT 50 Hz, 2 POLES



The NPSH values are laboratory values; for practical use we suggest increasing these values by 0,5 m.
 These performances are valid for liquids with density $\rho = 1,0 \text{ Kg/dm}^3$ and kinematic viscosity $\nu = 1 \text{ mm}^2/\text{sec}$.

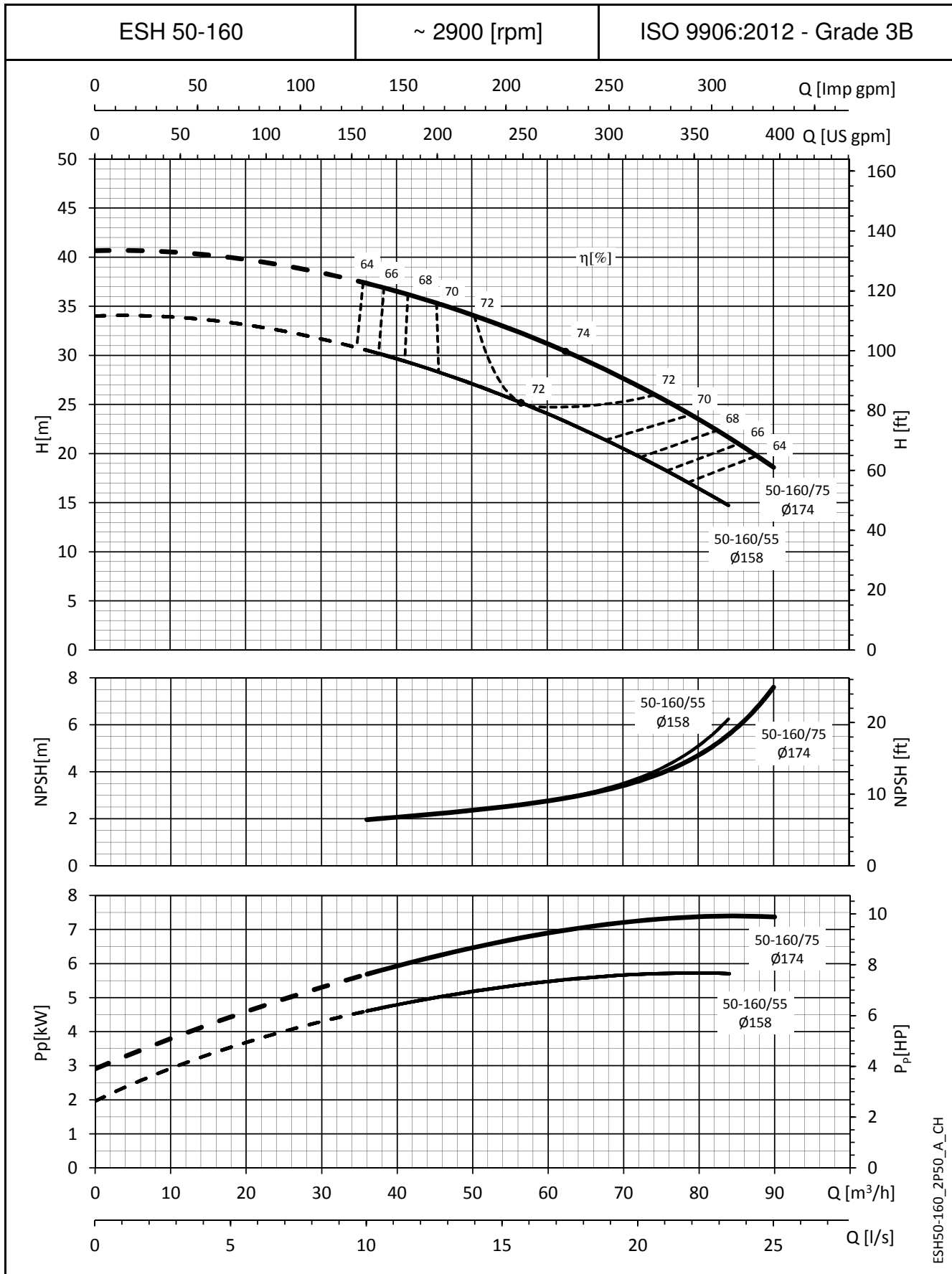
ESH SERIES
OPERATING CHARACTERISTICS AT 50 Hz, 2 POLES



ESH50-125_2P50_A_CH

The NPSH values are laboratory values; for practical use we suggest increasing these values by 0,5 m.
These performances are valid for liquids with density $\rho = 1,0 \text{ Kg/dm}^3$ and kinematic viscosity $\nu = 1 \text{ mm}^2/\text{sec}$.

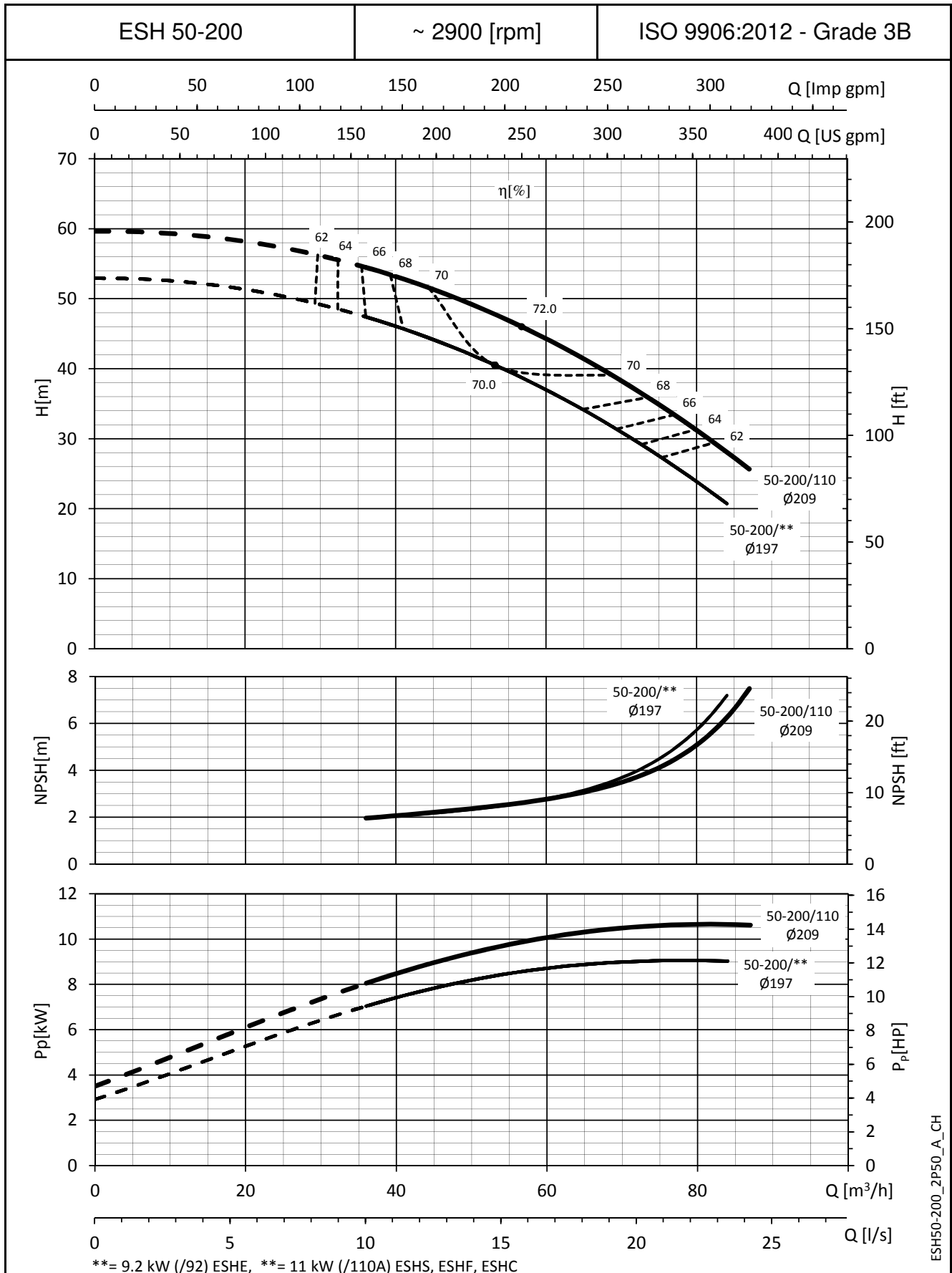
ESH SERIES
OPERATING CHARACTERISTICS AT 50 Hz, 2 POLES



ESH50-160_2P50_A_CH

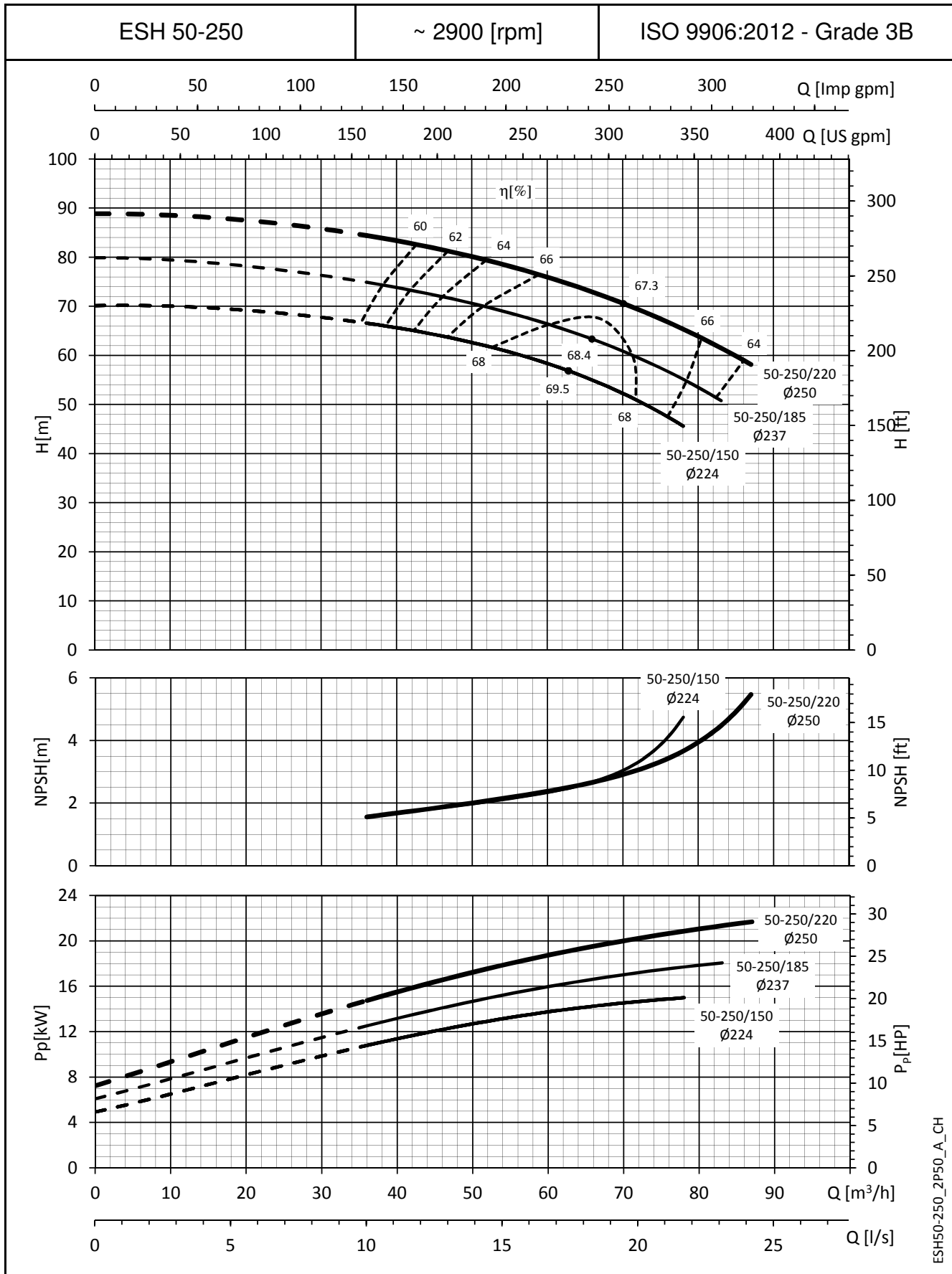
The NPSH values are laboratory values; for practical use we suggest increasing these values by 0,5 m.
These performances are valid for liquids with density $\rho = 1,0 \text{ Kg/dm}^3$ and kinematic viscosity $\nu = 1 \text{ mm}^2/\text{sec}$.

ESH SERIES
OPERATING CHARACTERISTICS AT 50 Hz, 2 POLES



The NPSH values are laboratory values; for practical use we suggest increasing these values by 0,5 m.
These performances are valid for liquids with density $\rho = 1,0 \text{ Kg/dm}^3$ and kinematic viscosity $\nu = 1 \text{ mm}^2/\text{sec}$.

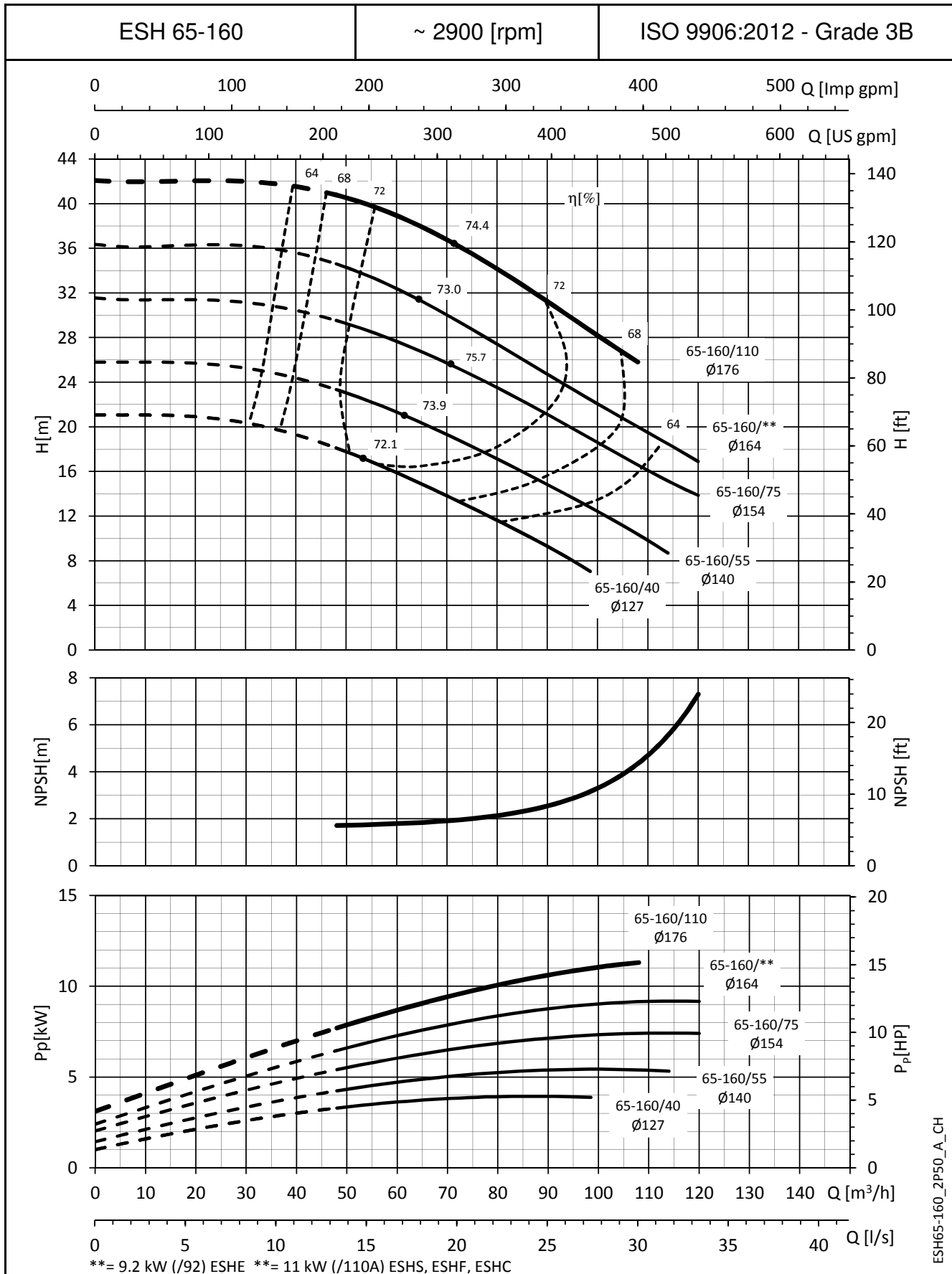
ESH SERIES
OPERATING CHARACTERISTICS AT 50 Hz, 2 POLES



ESH50-250_2P50_A_CH

The NPSH values are laboratory values; for practical use we suggest increasing these values by 0,5 m.
These performances are valid for liquids with density $\rho = 1,0 \text{ Kg/dm}^3$ and kinematic viscosity $\nu = 1 \text{ mm}^2/\text{sec}$.

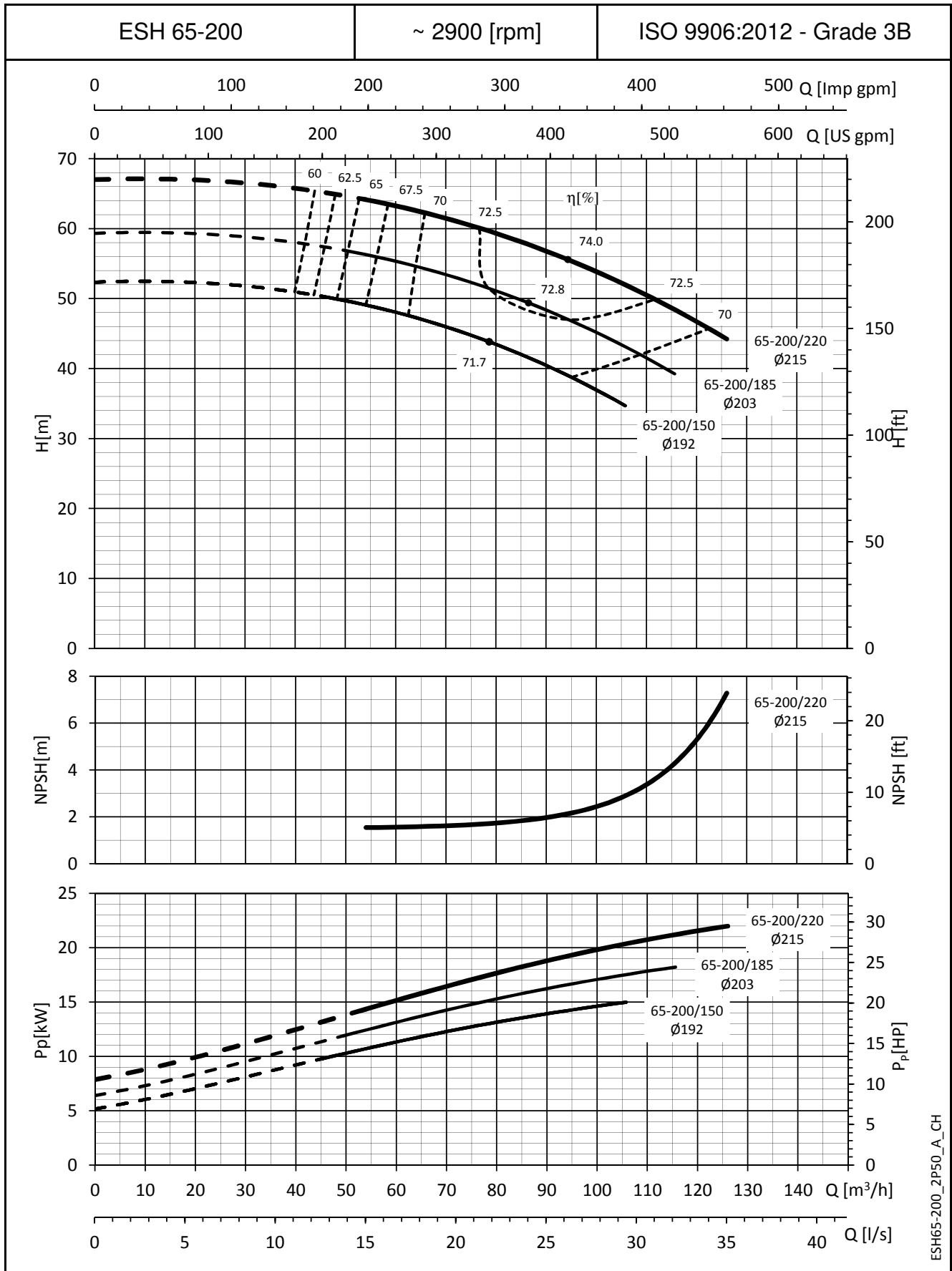
ESH SERIES
OPERATING CHARACTERISTICS AT 50 Hz, 2 POLES



ESH65-160_2P50_A_CH

The NPSH values are laboratory values; for practical use we suggest increasing these values by 0,5 m.
These performances are valid for liquids with density $\rho = 1,0 \text{ Kg/dm}^3$ and kinematic viscosity $\nu = 1 \text{ mm}^2/\text{sec}$.

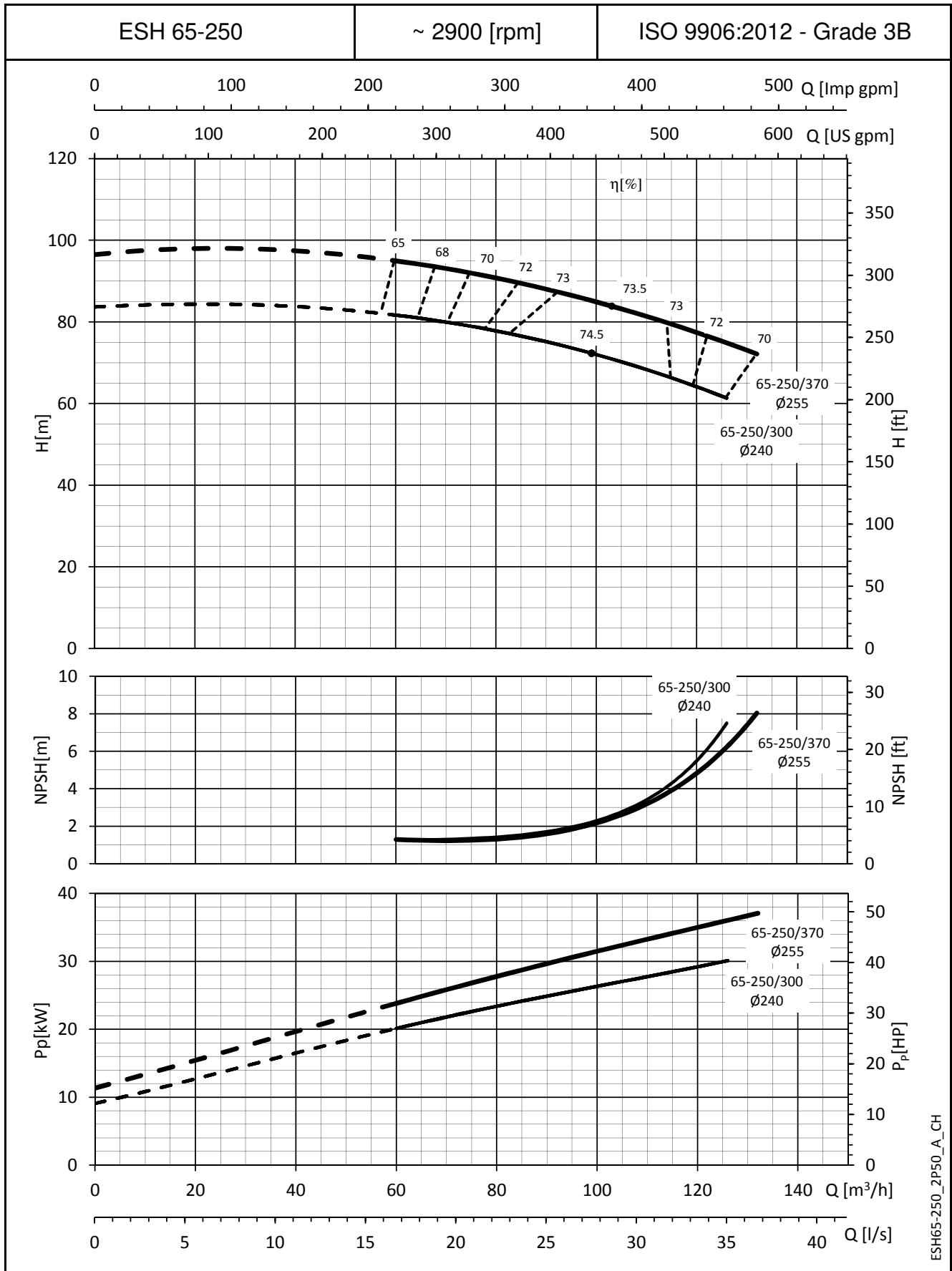
ESH SERIES
OPERATING CHARACTERISTICS AT 50 Hz, 2 POLES



ESH65-200_2P50_A_CH

The NPSH values are laboratory values; for practical use we suggest increasing these values by 0,5 m.
These performances are valid for liquids with density $\rho = 1,0 \text{ Kg/dm}^3$ and kinematic viscosity $\nu = 1 \text{ mm}^2/\text{sec}$.

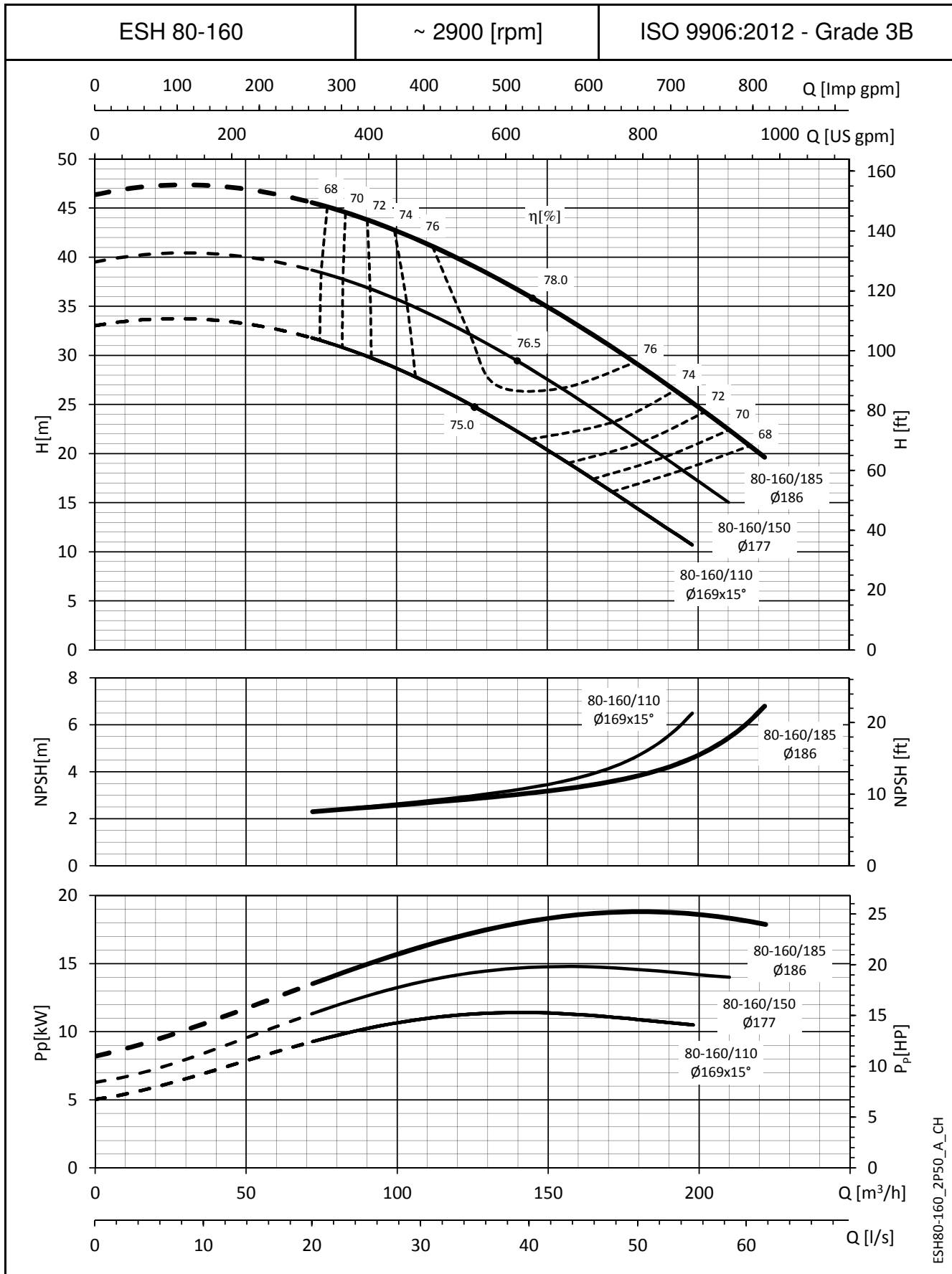
ESH SERIES
OPERATING CHARACTERISTICS AT 50 Hz, 2 POLES



ESH65-250_2P50_A_CH

The NPSH values are laboratory values; for practical use we suggest increasing these values by 0,5 m.
These performances are valid for liquids with density $\rho = 1,0 \text{ Kg/dm}^3$ and kinematic viscosity $\nu = 1 \text{ mm}^2/\text{sec}$.

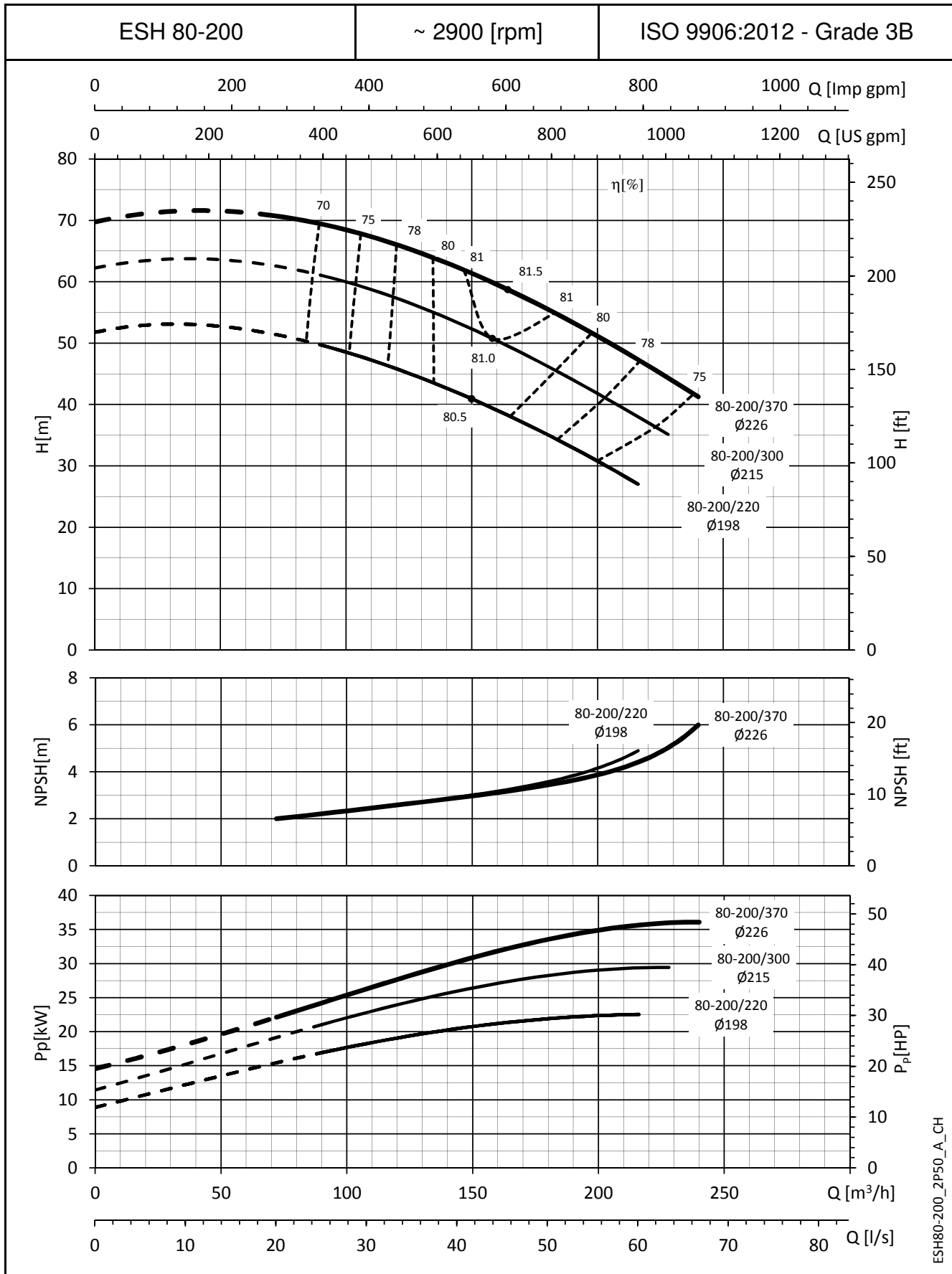
ESH SERIES
OPERATING CHARACTERISTICS AT 50 Hz, 2 POLES



ESH80-160_2P50_A_CH

The NPSH values are laboratory values; for practical use we suggest increasing these values by 0,5 m.
These performances are valid for liquids with density $\rho = 1,0 \text{ Kg/dm}^3$ and kinematic viscosity $\nu = 1 \text{ mm}^2/\text{sec}$.

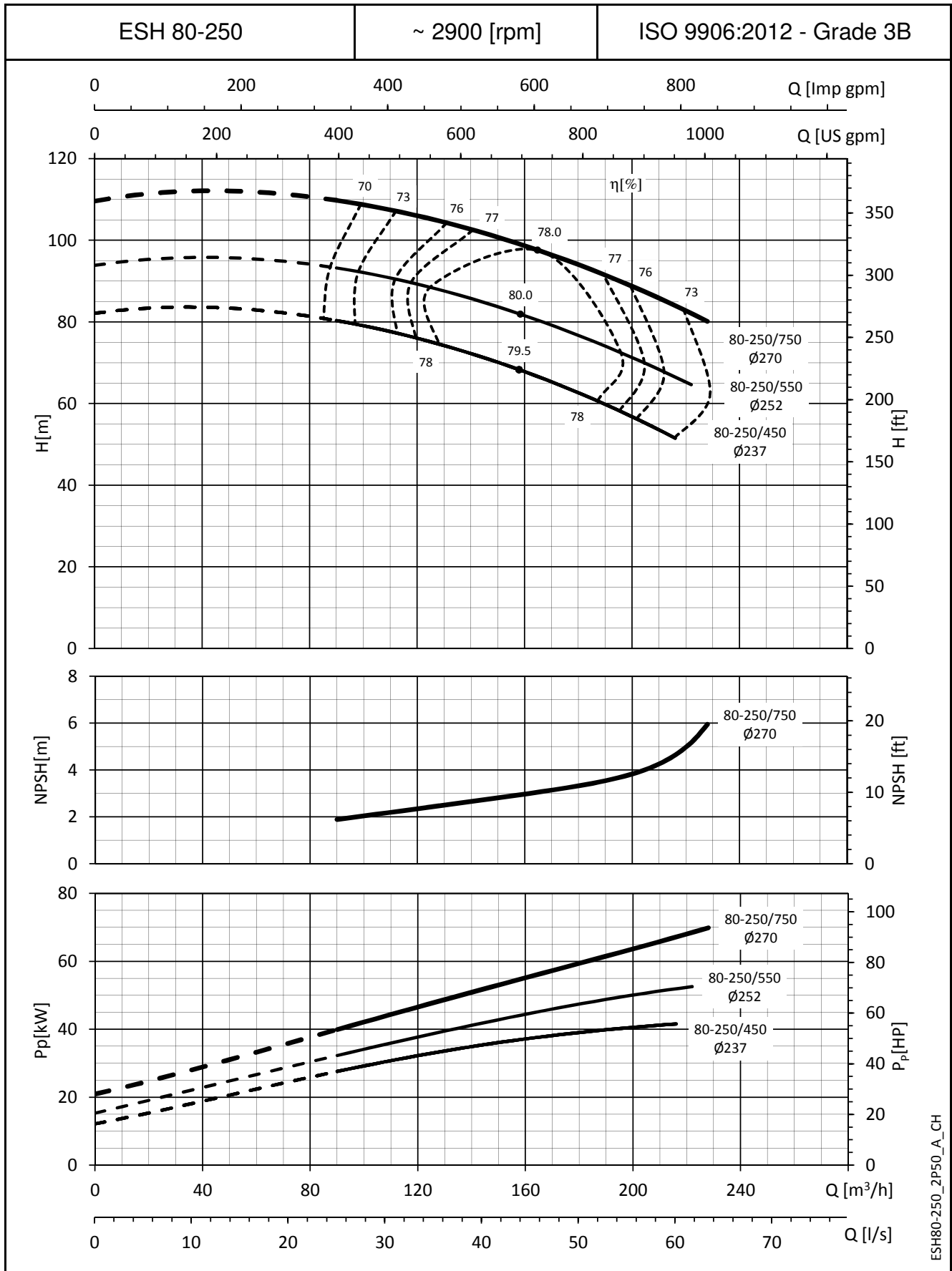
ESH SERIES
OPERATING CHARACTERISTICS AT 50 Hz, 2 POLES



ESH80-200_2P50_A_CH

The NPSH values are laboratory values; for practical use we suggest increasing these values by 0,5 m.
These performances are valid for liquids with density $\rho = 1,0 \text{ Kg/dm}^3$ and kinematic viscosity $\nu = 1 \text{ mm}^2/\text{sec}$.

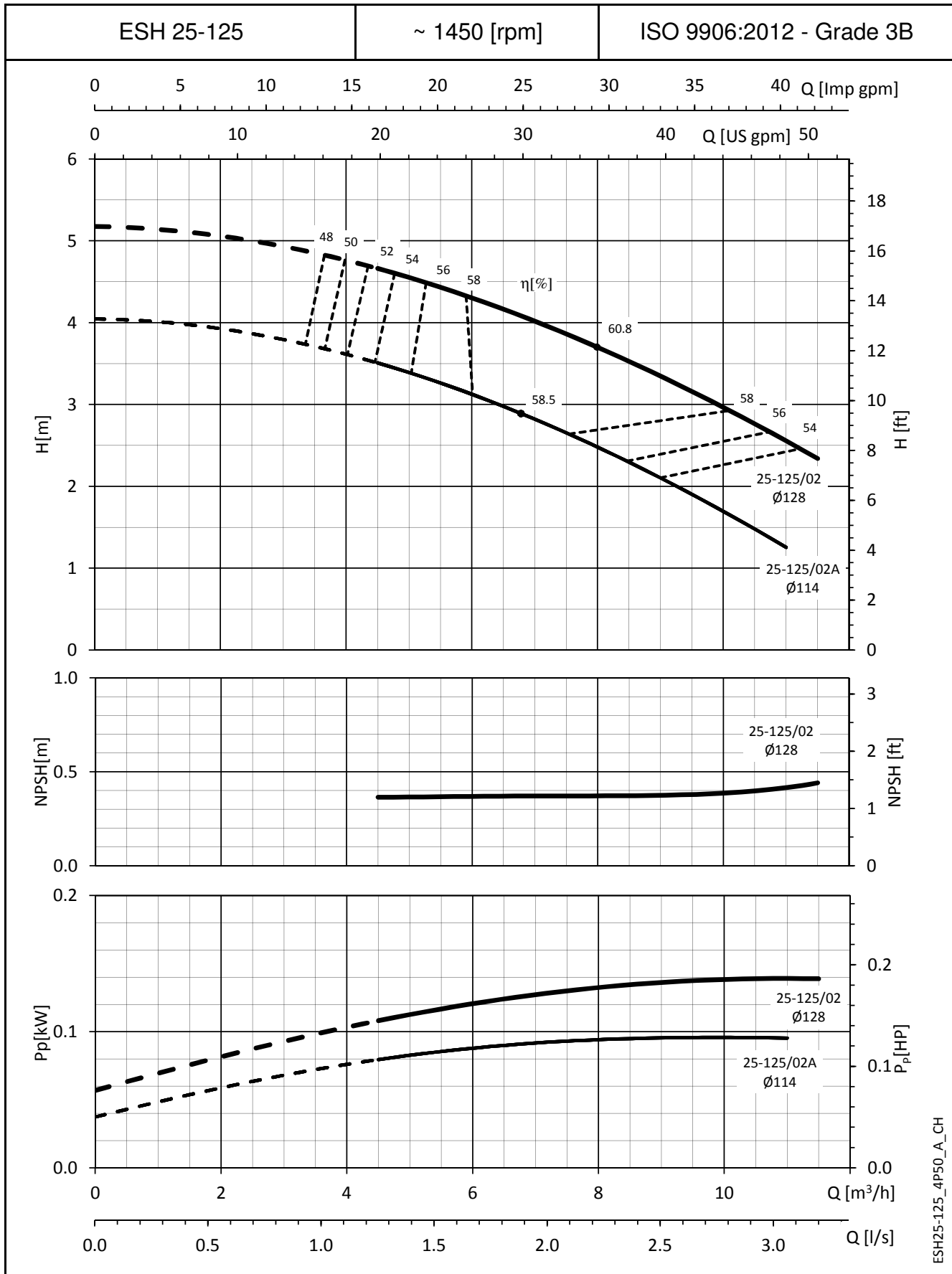
ESH SERIES
OPERATING CHARACTERISTICS AT 50 Hz, 2 POLES



ESH80-250_2P50_A_CH

The NPSH values are laboratory values; for practical use we suggest increasing these values by 0,5 m.
These performances are valid for liquids with density $\rho = 1,0 \text{ Kg/dm}^3$ and kinematic viscosity $\nu = 1 \text{ mm}^2/\text{sec}$.

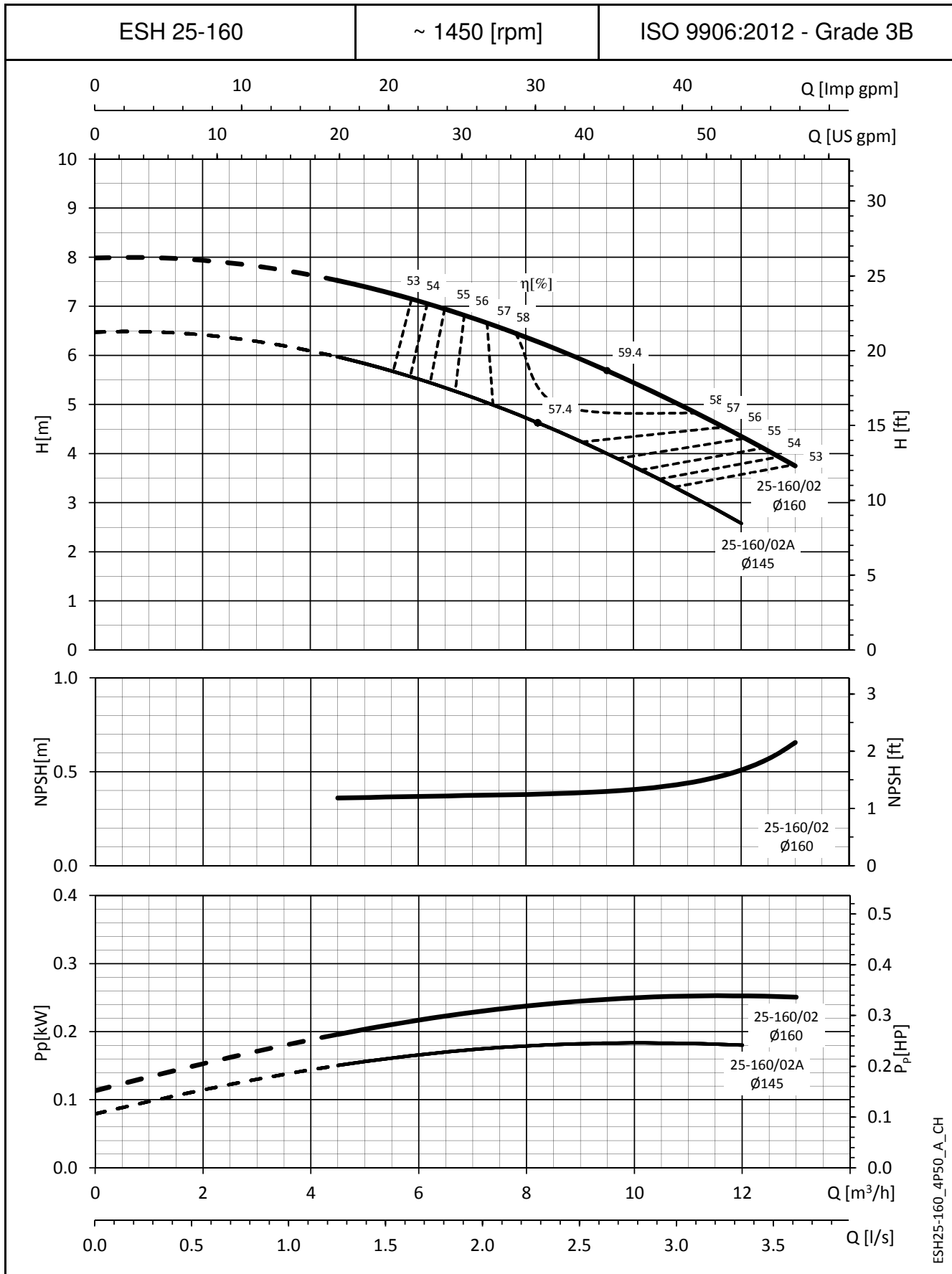
ESH SERIES
OPERATING CHARACTERISTICS AT 50 Hz, 4 POLES



ESH25-125_4P50_A_CH

The NPSH values are laboratory values; for practical use we suggest increasing these values by 0,5 m.
These performances are valid for liquids with density $\rho = 1,0 \text{ Kg/dm}^3$ and kinematic viscosity $\nu = 1 \text{ mm}^2/\text{sec}$.

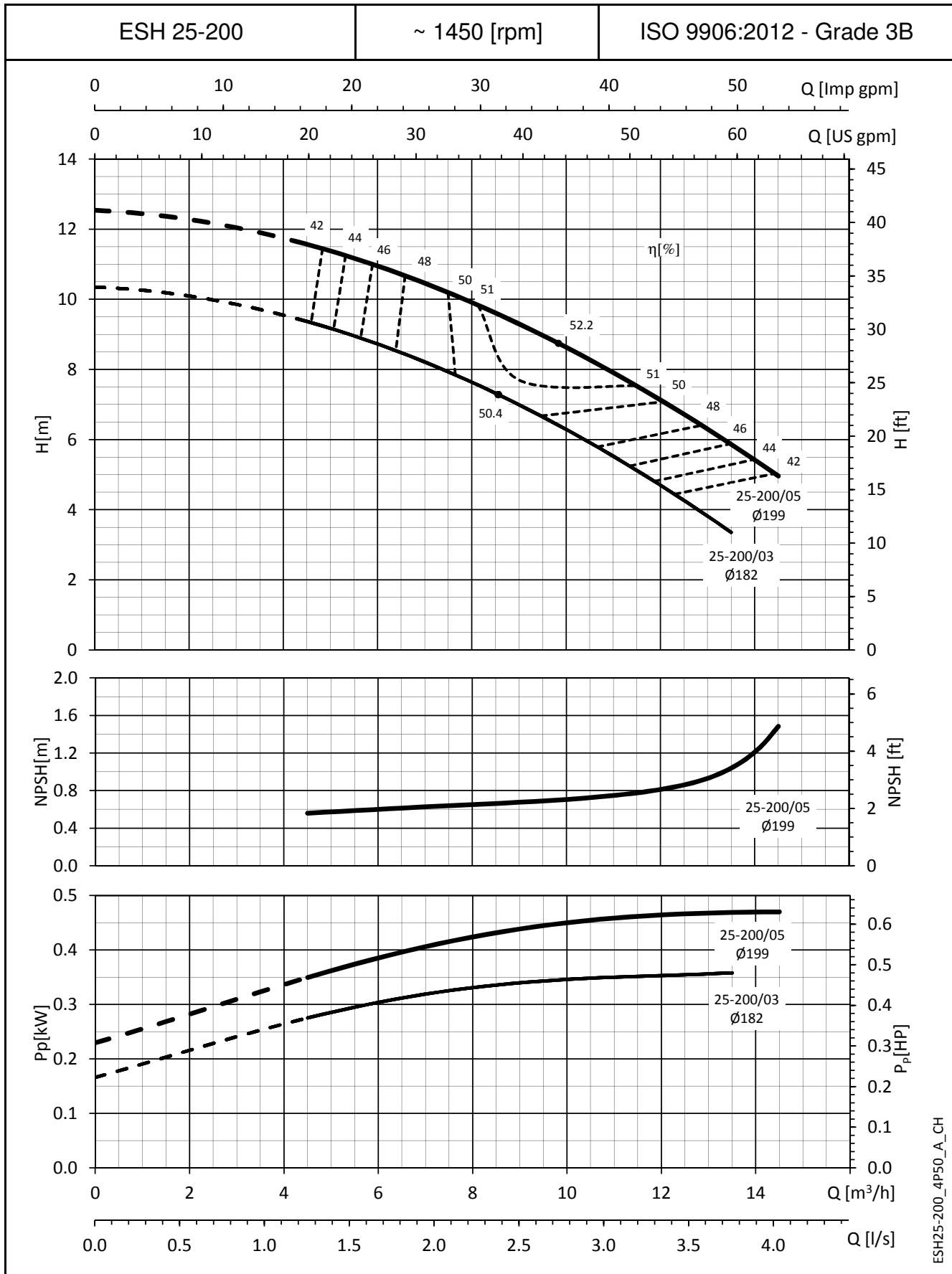
ESH SERIES
OPERATING CHARACTERISTICS AT 50 Hz, 4 POLES



ESH25-160_4P50_A_CH

The NPSH values are laboratory values; for practical use we suggest increasing these values by 0,5 m.
These performances are valid for liquids with density $\rho = 1,0 \text{ Kg/dm}^3$ and kinematic viscosity $\nu = 1 \text{ mm}^2/\text{sec}$.

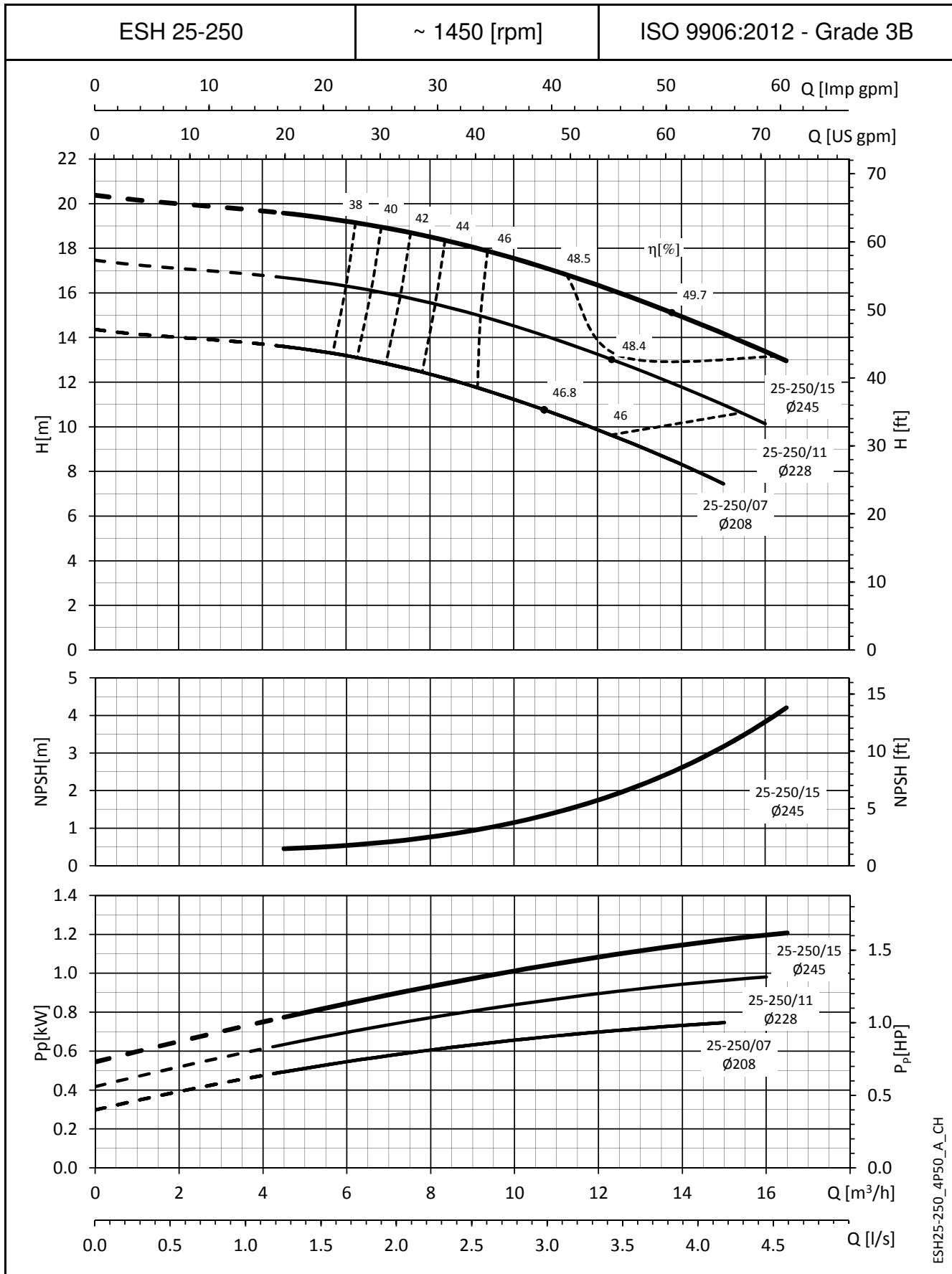
ESH SERIES
OPERATING CHARACTERISTICS AT 50 Hz, 4 POLES



ESH25-200_4P50_A_CH

The NPSH values are laboratory values; for practical use we suggest increasing these values by 0,5 m.
These performances are valid for liquids with density $\rho = 1,0 \text{ Kg/dm}^3$ and kinematic viscosity $\nu = 1 \text{ mm}^2/\text{sec}$.

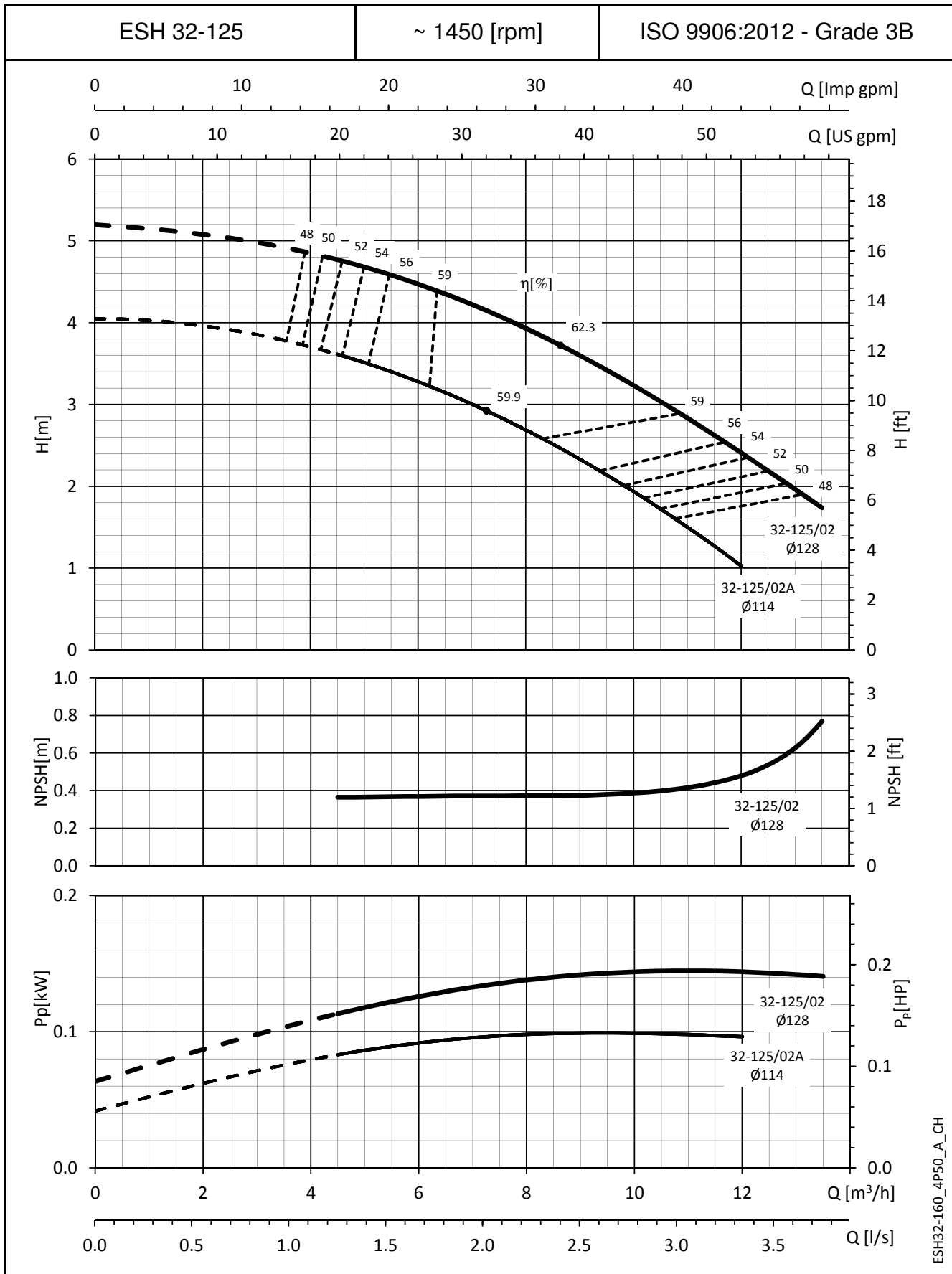
ESH SERIES
OPERATING CHARACTERISTICS AT 50 Hz, 4 POLES



ESH25-250_4P50_A_CH

The NPSH values are laboratory values; for practical use we suggest increasing these values by 0,5 m.
These performances are valid for liquids with density $\rho = 1,0 \text{ Kg/dm}^3$ and kinematic viscosity $\nu = 1 \text{ mm}^2/\text{sec}$.

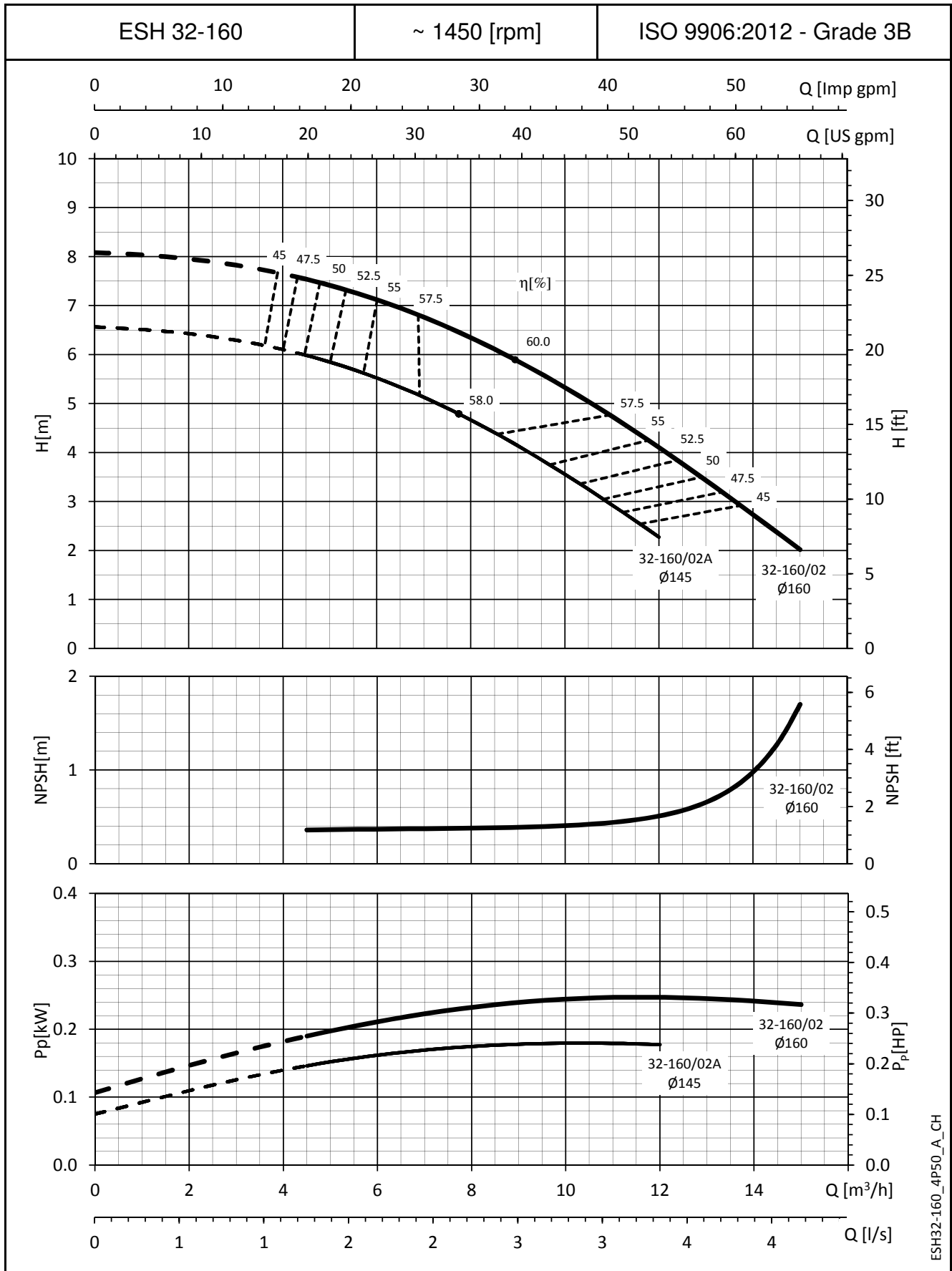
ESH SERIES
OPERATING CHARACTERISTICS AT 50 Hz, 4 POLES



ESH32-160_4P50_A_CH

The NPSH values are laboratory values; for practical use we suggest increasing these values by 0,5 m.
These performances are valid for liquids with density $\rho = 1,0 \text{ Kg/dm}^3$ and kinematic viscosity $\nu = 1 \text{ mm}^2/\text{sec}$.

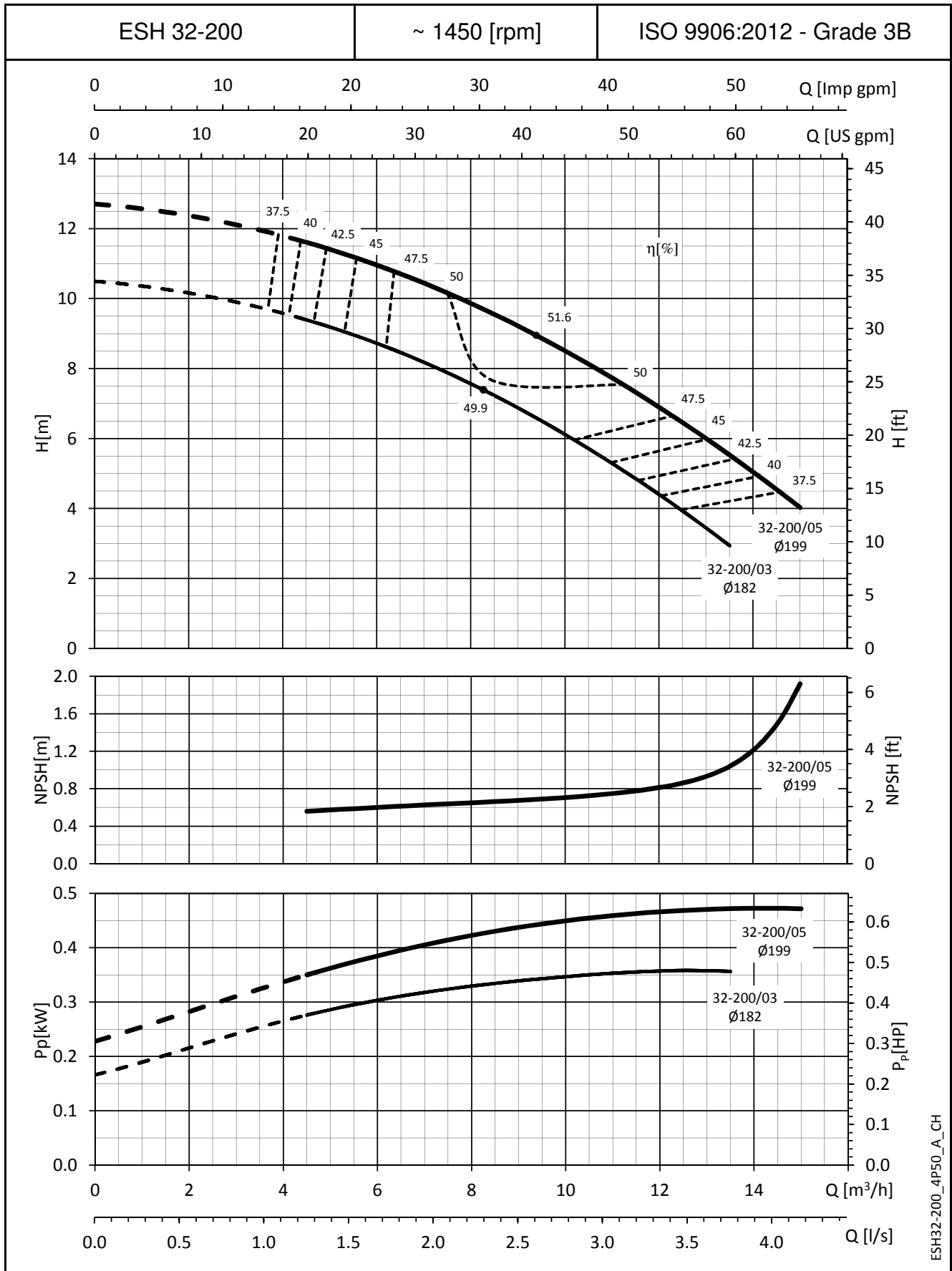
ESH SERIES
OPERATING CHARACTERISTICS AT 50 Hz, 4 POLES



ESH32-160_4P50_A_CH

The NPSH values are laboratory values; for practical use we suggest increasing these values by 0,5 m.
These performances are valid for liquids with density $\rho = 1,0 \text{ Kg/dm}^3$ and kinematic viscosity $\nu = 1 \text{ mm}^2/\text{sec}$.

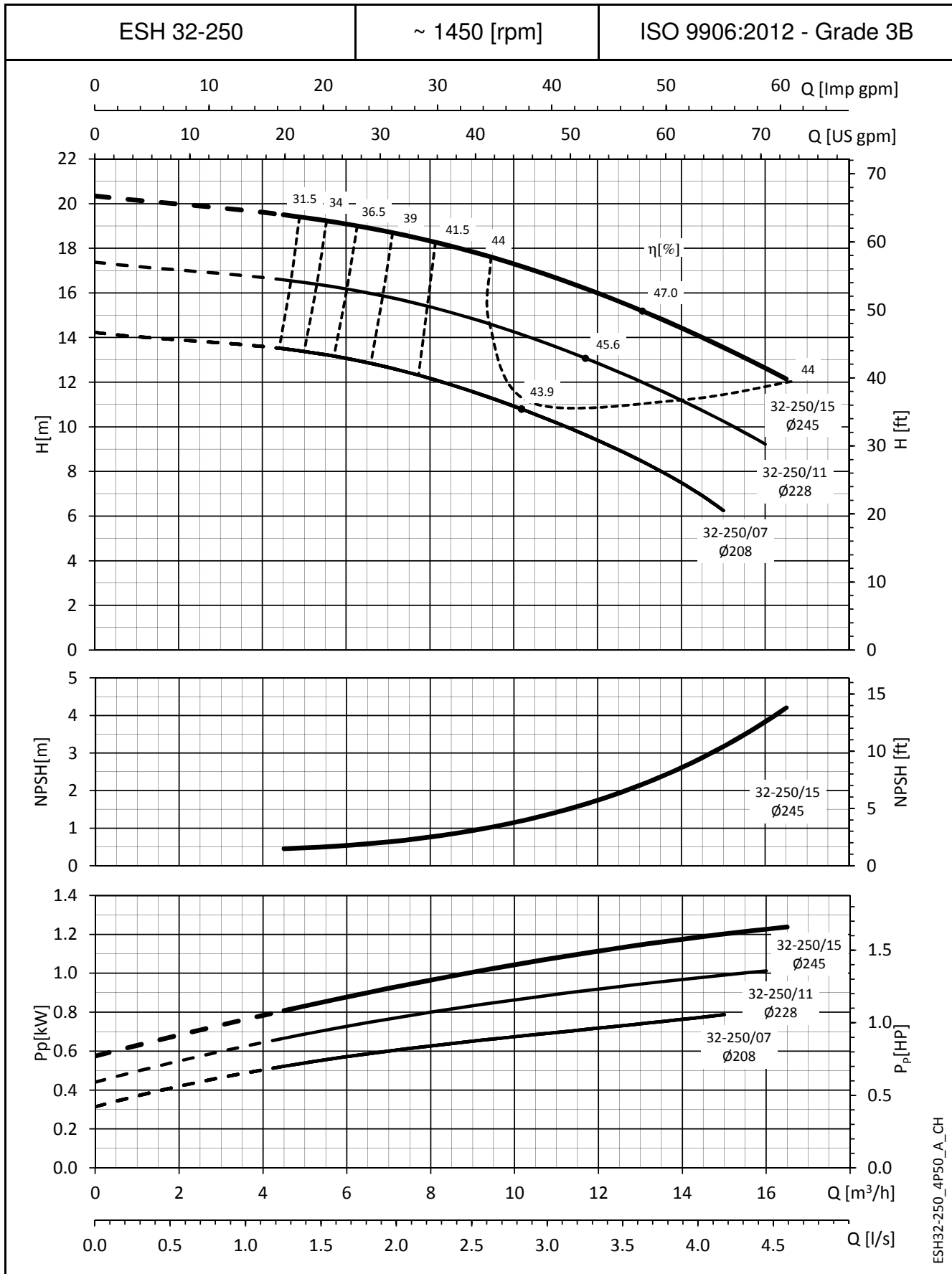
ESH SERIES
OPERATING CHARACTERISTICS AT 50 Hz, 4 POLES



ESH32-200_4P50_A_CH

The NPSH values are laboratory values; for practical use we suggest increasing these values by 0,5 m.
These performances are valid for liquids with density $\rho = 1,0 \text{ Kg/dm}^3$ and kinematic viscosity $\nu = 1 \text{ mm}^2/\text{sec}$.

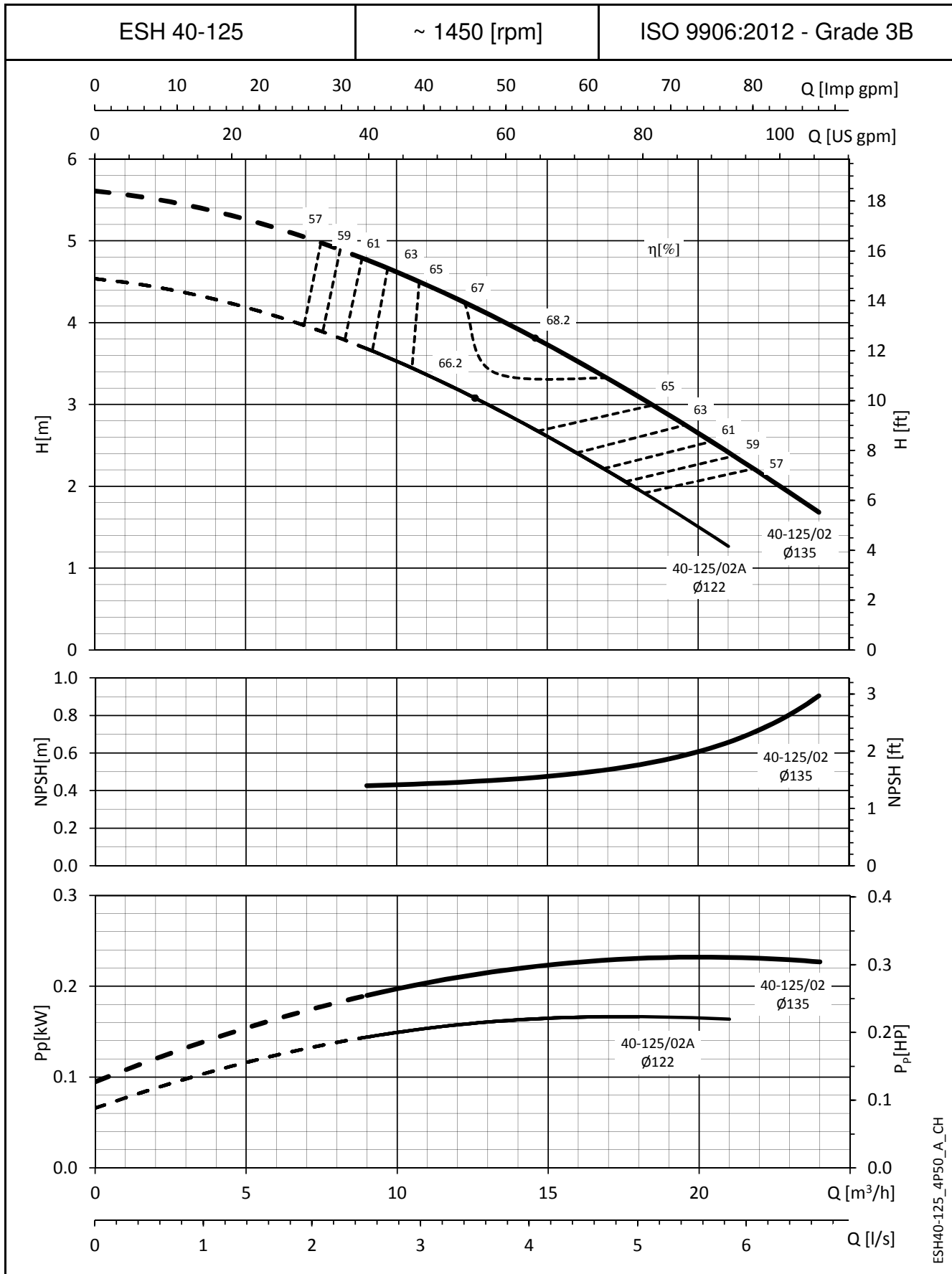
ESH SERIES
OPERATING CHARACTERISTICS AT 50 Hz, 4 POLES



ESH32-250_4P50_A_CH

The NPSH values are laboratory values; for practical use we suggest increasing these values by 0,5 m.
These performances are valid for liquids with density $\rho = 1,0 \text{ Kg/dm}^3$ and kinematic viscosity $\nu = 1 \text{ mm}^2/\text{sec}$.

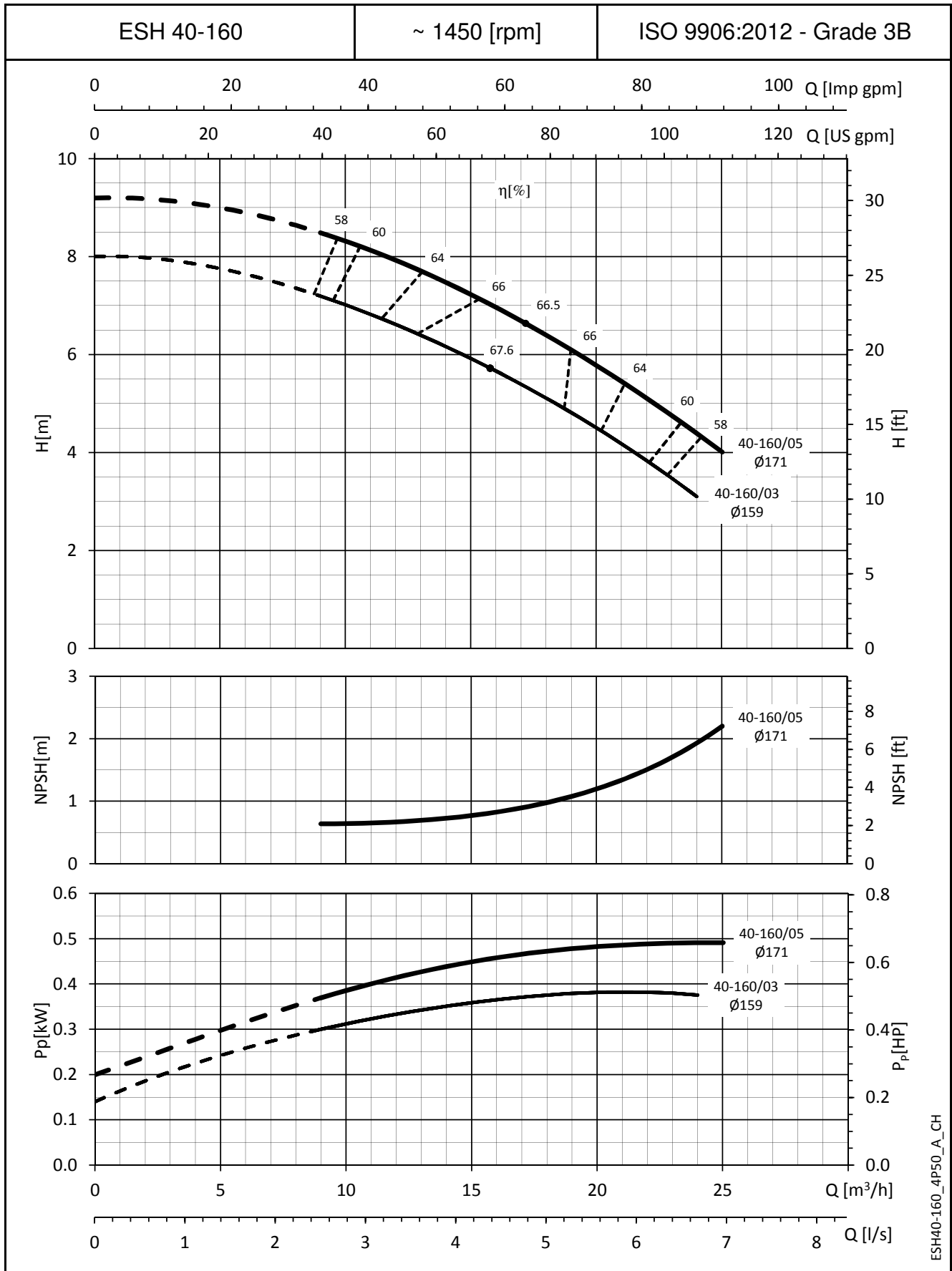
ESH SERIES
OPERATING CHARACTERISTICS AT 50 Hz, 4 POLES



ESH40-125_4P50_A_CH

The NPSH values are laboratory values; for practical use we suggest increasing these values by 0,5 m.
These performances are valid for liquids with density $\rho = 1,0 \text{ Kg/dm}^3$ and kinematic viscosity $\nu = 1 \text{ mm}^2/\text{sec}$.

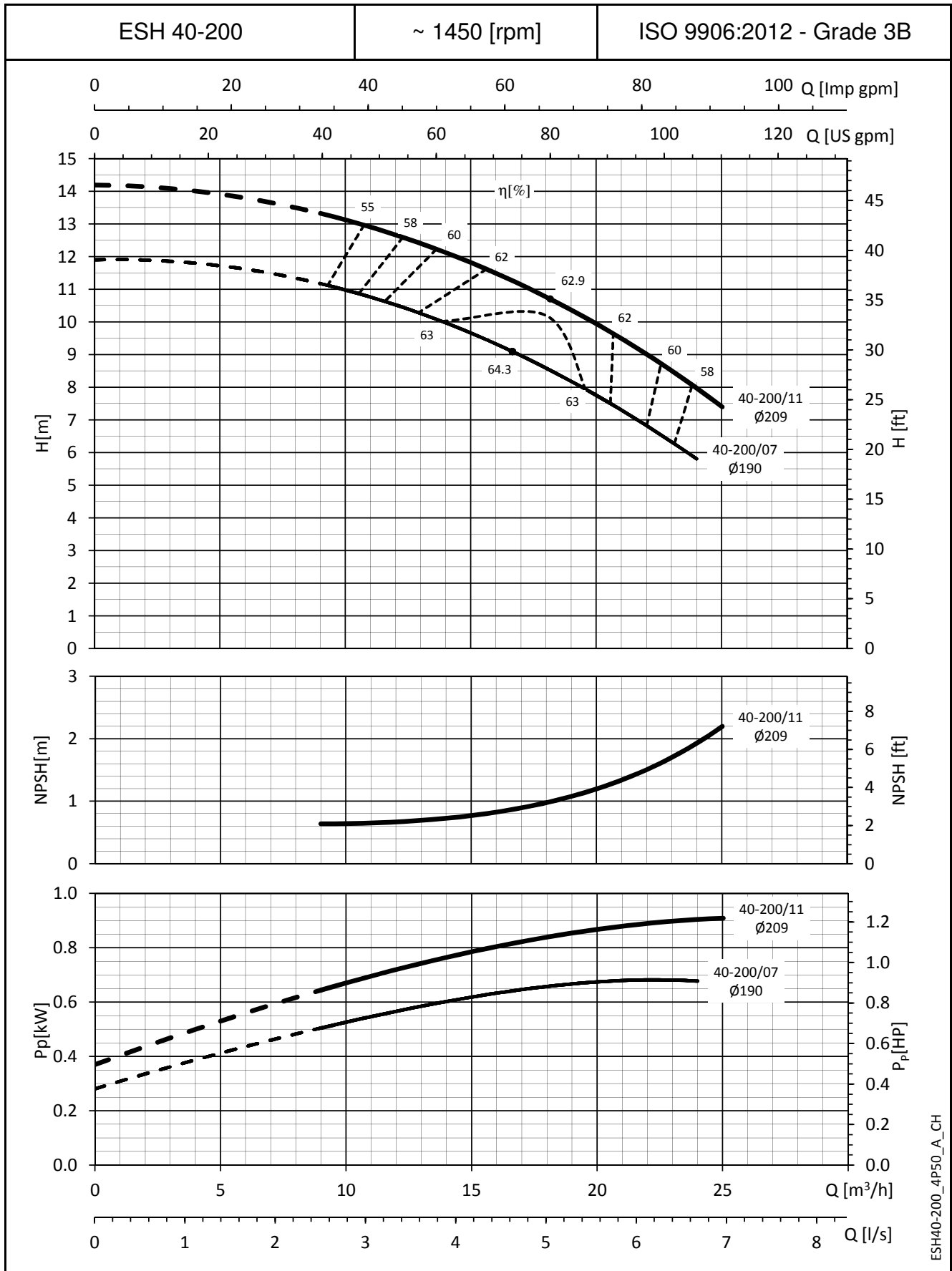
ESH SERIES
OPERATING CHARACTERISTICS AT 50 Hz, 4 POLES



ESH40-160_4P50_A_CH

The NPSH values are laboratory values; for practical use we suggest increasing these values by 0,5 m.
These performances are valid for liquids with density $\rho = 1,0 \text{ Kg/dm}^3$ and kinematic viscosity $\nu = 1 \text{ mm}^2/\text{sec}$.

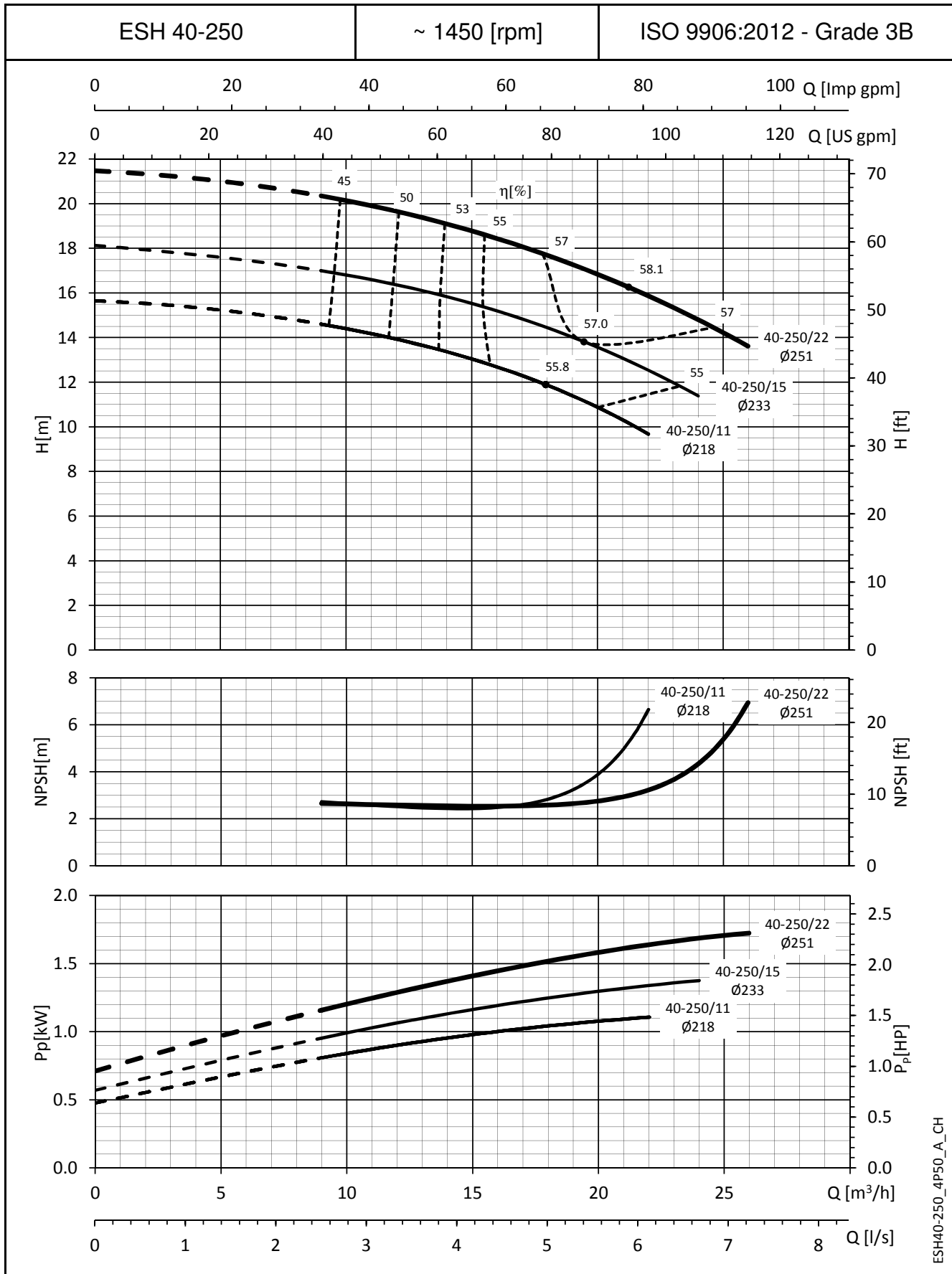
ESH SERIES
OPERATING CHARACTERISTICS AT 50 Hz, 4 POLES



ESH40-200_4P50_A_CH

The NPSH values are laboratory values; for practical use we suggest increasing these values by 0,5 m.
These performances are valid for liquids with density $\rho = 1,0 \text{ Kg/dm}^3$ and kinematic viscosity $\nu = 1 \text{ mm}^2/\text{sec}$.

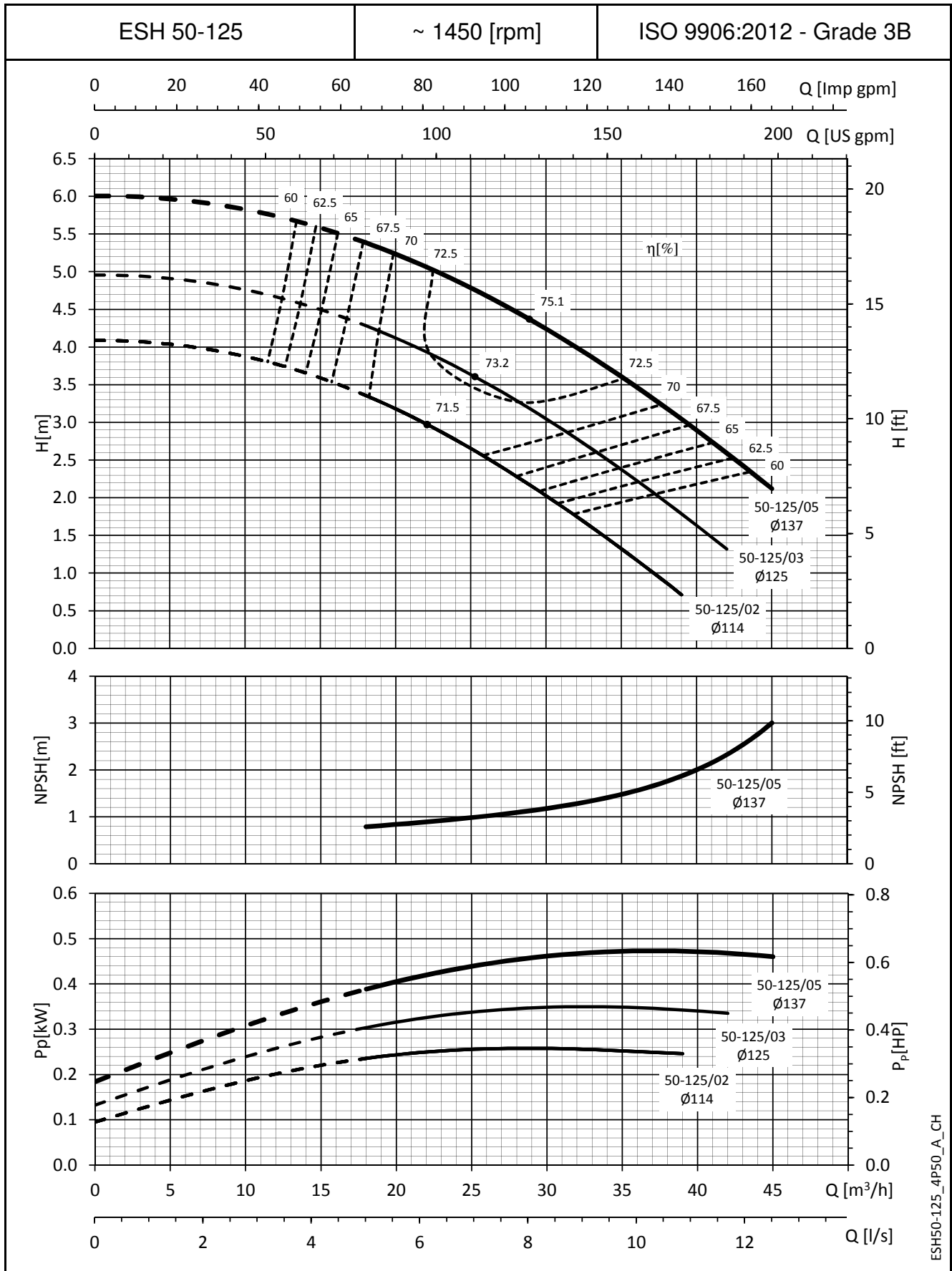
ESH SERIES
OPERATING CHARACTERISTICS AT 50 Hz, 4 POLES



ESH40-250_4P50_A_CH

The NPSH values are laboratory values; for practical use we suggest increasing these values by 0,5 m.
These performances are valid for liquids with density $\rho = 1,0 \text{ Kg/dm}^3$ and kinematic viscosity $\nu = 1 \text{ mm}^2/\text{sec}$.

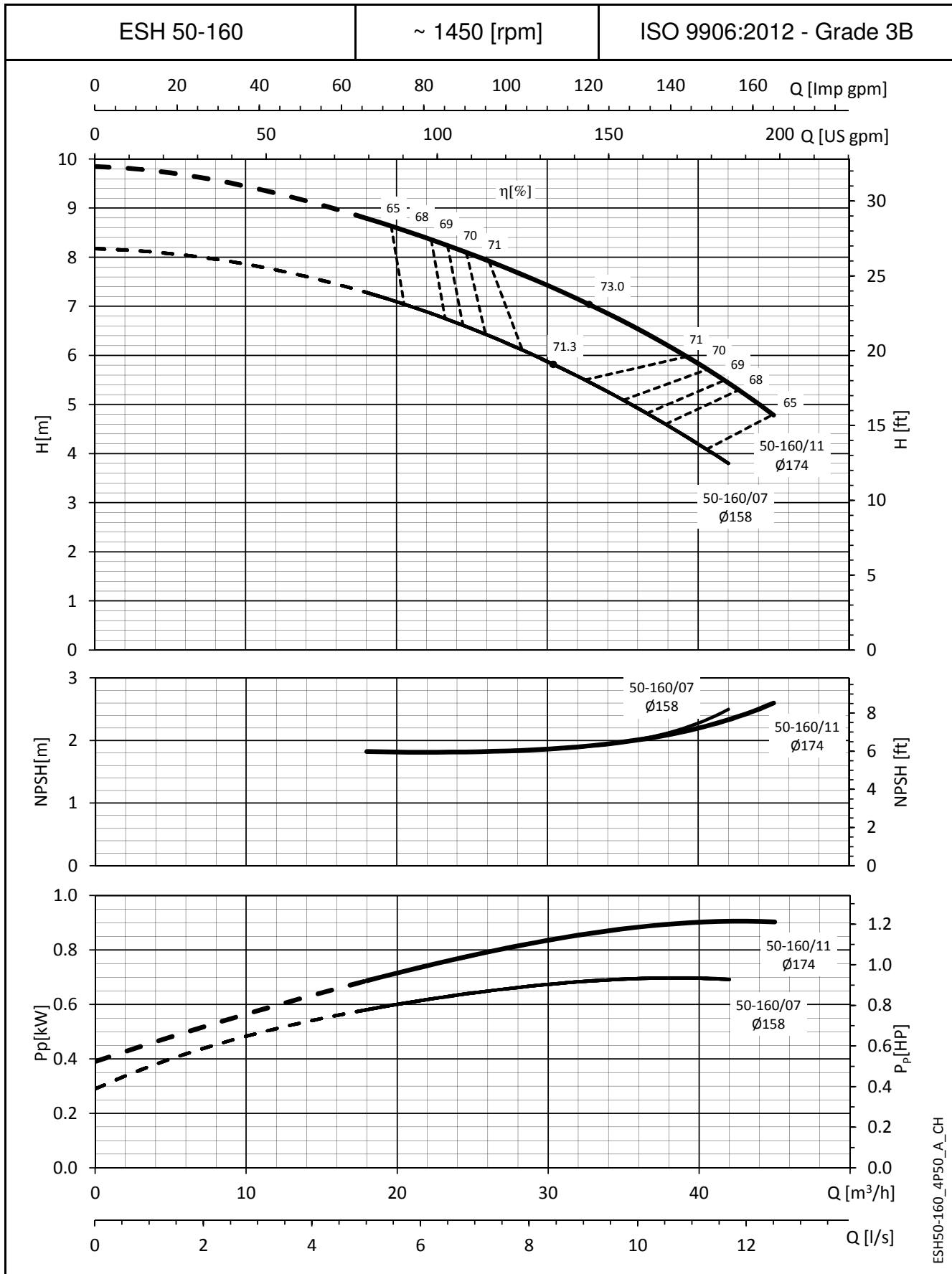
ESH SERIES
OPERATING CHARACTERISTICS AT 50 Hz, 4 POLES



ESH50-125_4P50_A_CH

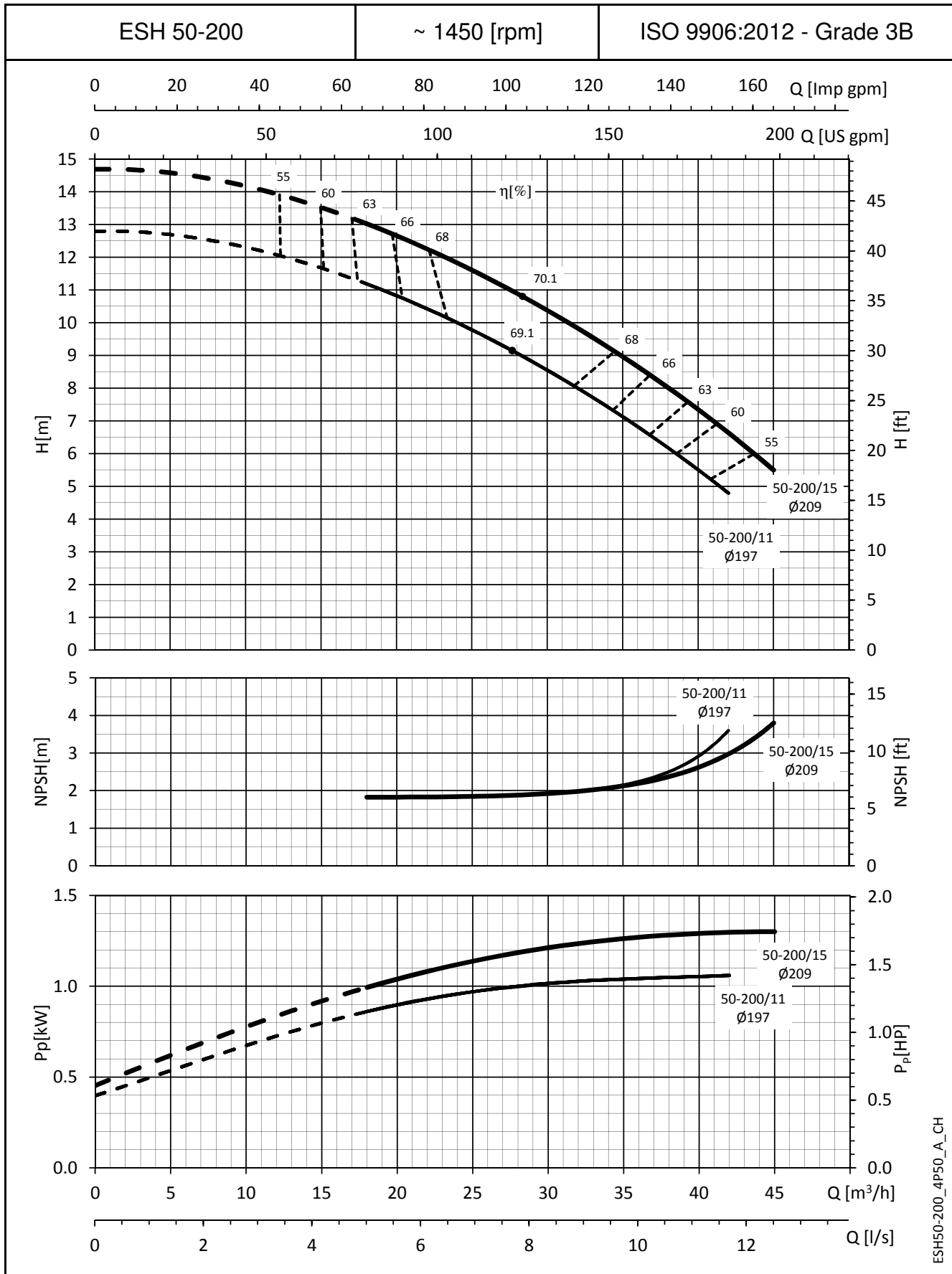
The NPSH values are laboratory values; for practical use we suggest increasing these values by 0,5 m.
These performances are valid for liquids with density $\rho = 1,0 \text{ Kg/dm}^3$ and kinematic viscosity $\nu = 1 \text{ mm}^2/\text{sec}$.

ESH SERIES
OPERATING CHARACTERISTICS AT 50 Hz, 4 POLES



The NPSH values are laboratory values; for practical use we suggest increasing these values by 0,5 m.
 These performances are valid for liquids with density $\rho = 1,0 \text{ Kg/dm}^3$ and kinematic viscosity $\nu = 1 \text{ mm}^2/\text{sec}$.

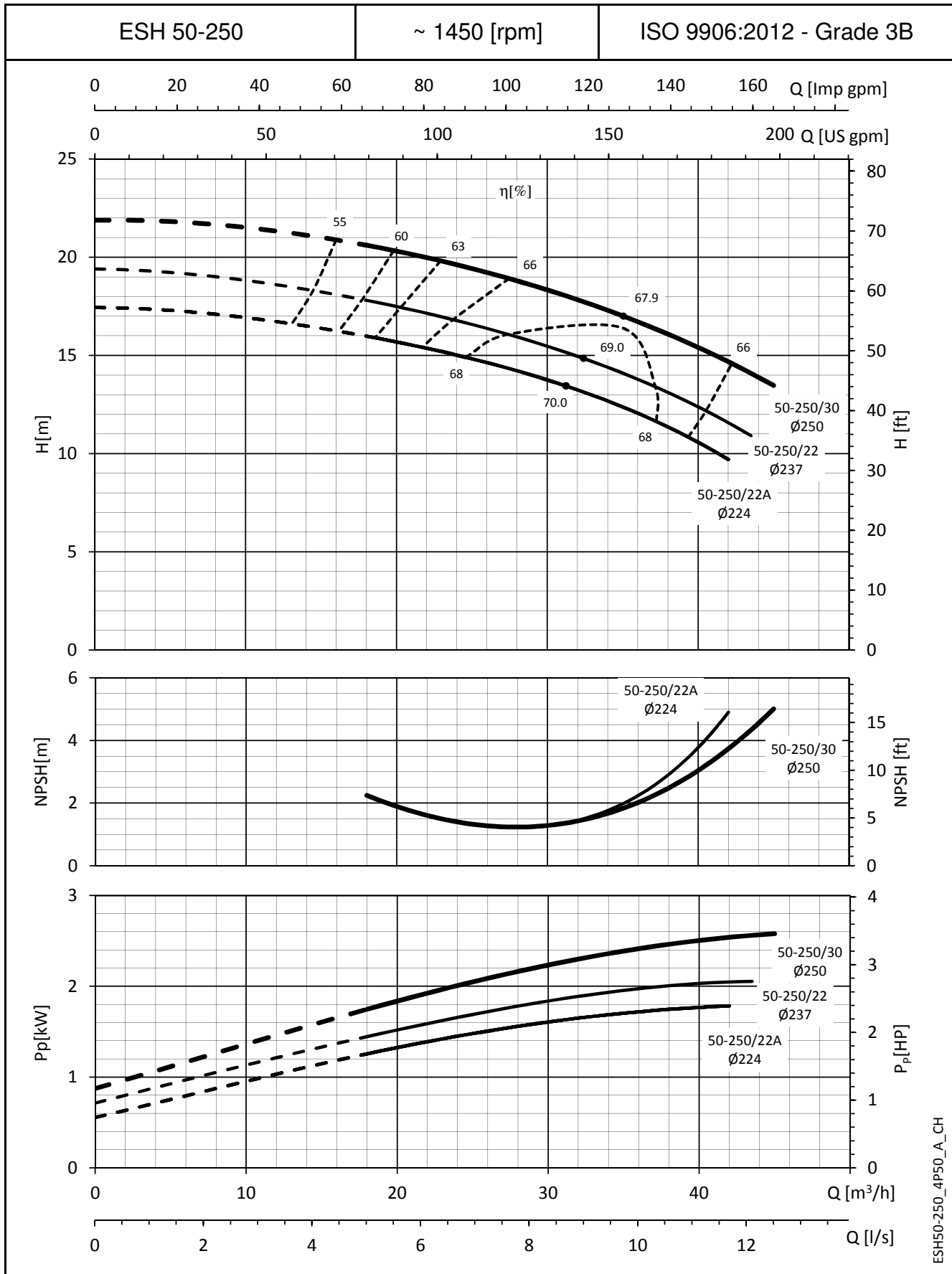
ESH SERIES
OPERATING CHARACTERISTICS AT 50 Hz, 4 POLES



ESH50-200_4P50_A_CH

The NPSH values are laboratory values; for practical use we suggest increasing these values by 0,5 m.
These performances are valid for liquids with density $\rho = 1,0 \text{ Kg/dm}^3$ and kinematic viscosity $\nu = 1 \text{ mm}^2/\text{sec}$.

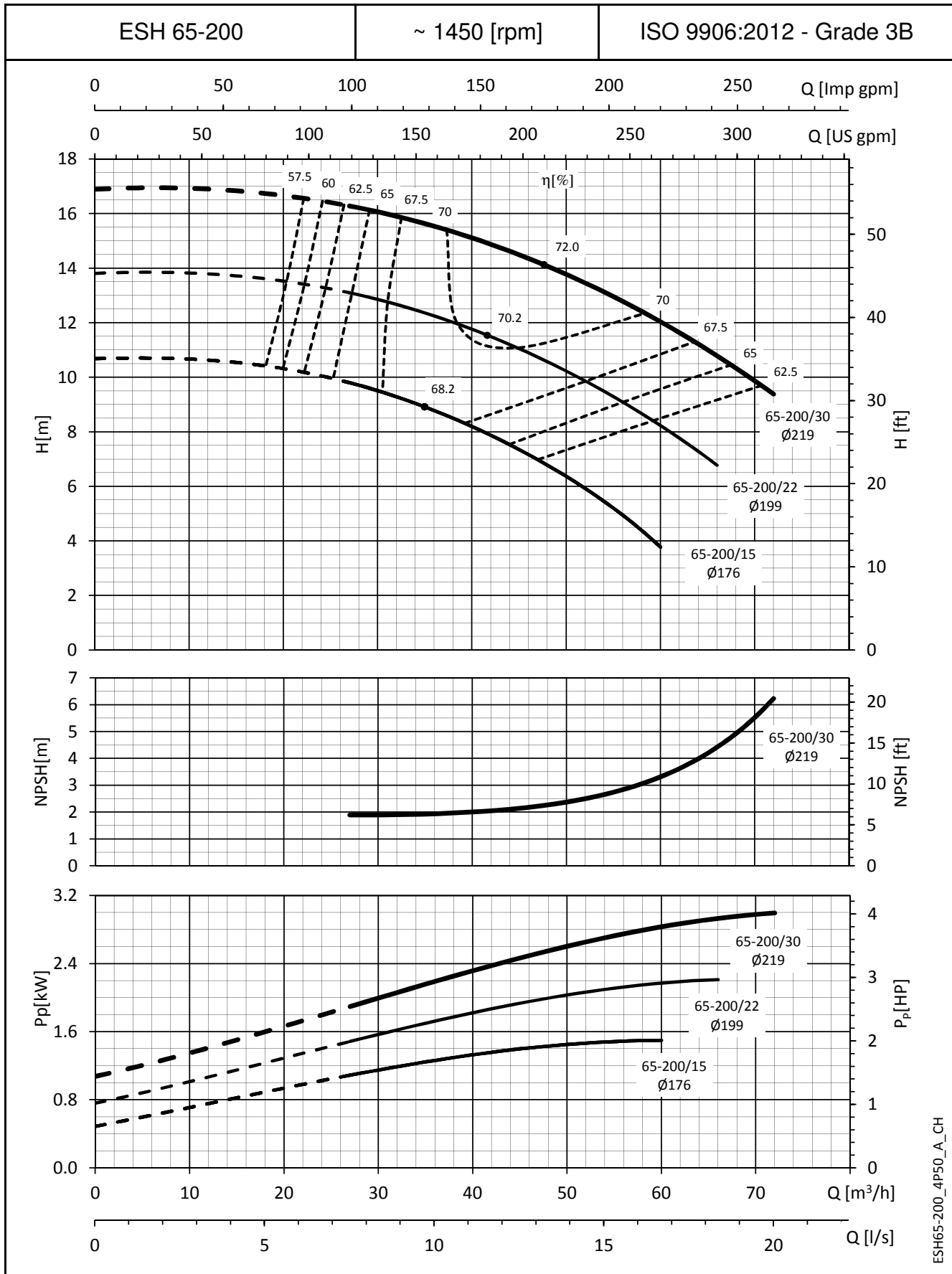
ESH SERIES
OPERATING CHARACTERISTICS AT 50 Hz, 4 POLES



ESH50-250_4P50_A_CH

The NPSH values are laboratory values; for practical use we suggest increasing these values by 0,5 m.
These performances are valid for liquids with density $\rho = 1,0 \text{ Kg/dm}^3$ and kinematic viscosity $\nu = 1 \text{ mm}^2/\text{sec}$.

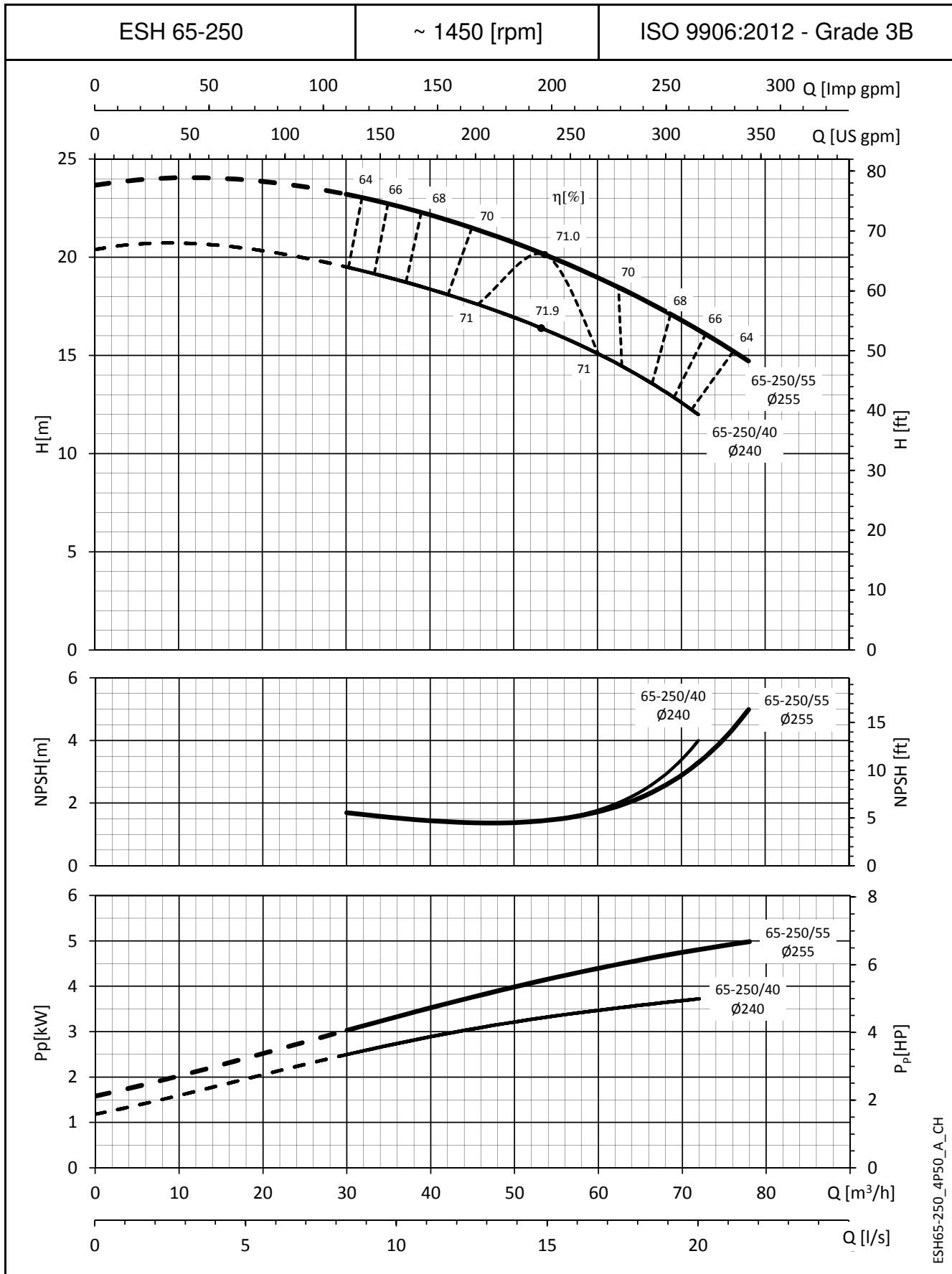
ESH SERIES
OPERATING CHARACTERISTICS AT 50 Hz, 4 POLES



ESH65-200_4P50_A_CH

The NPSH values are laboratory values; for practical use we suggest increasing these values by 0,5 m.
These performances are valid for liquids with density $\rho = 1,0 \text{ Kg/dm}^3$ and kinematic viscosity $\nu = 1 \text{ mm}^2/\text{sec}$.

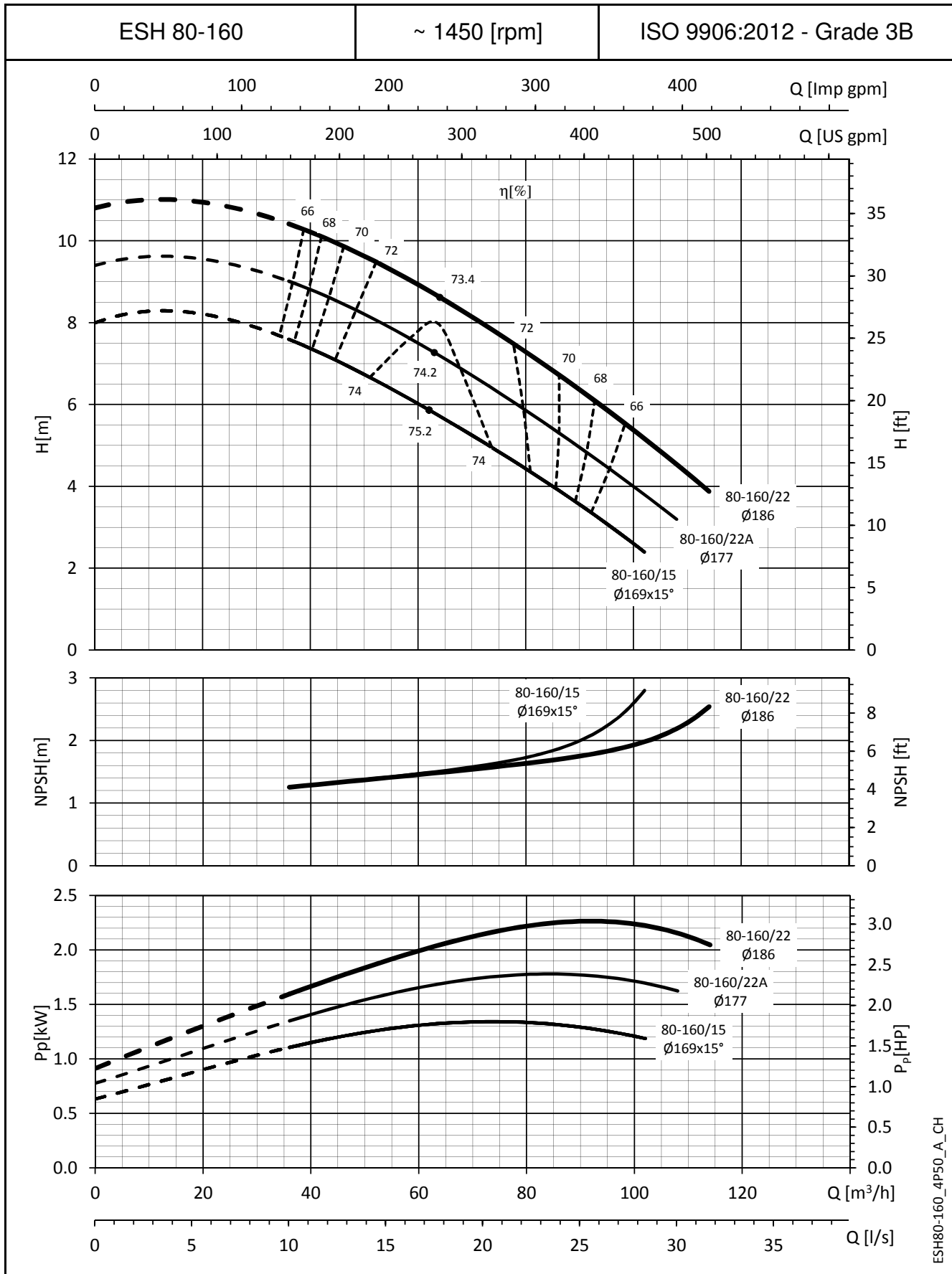
ESH SERIES
OPERATING CHARACTERISTICS AT 50 Hz, 4 POLES



ESH65-250_4P50_A_CH

The NPSH values are laboratory values; for practical use we suggest increasing these values by 0,5 m.
These performances are valid for liquids with density $\rho = 1,0 \text{ Kg/dm}^3$ and kinematic viscosity $\nu = 1 \text{ mm}^2/\text{sec}$.

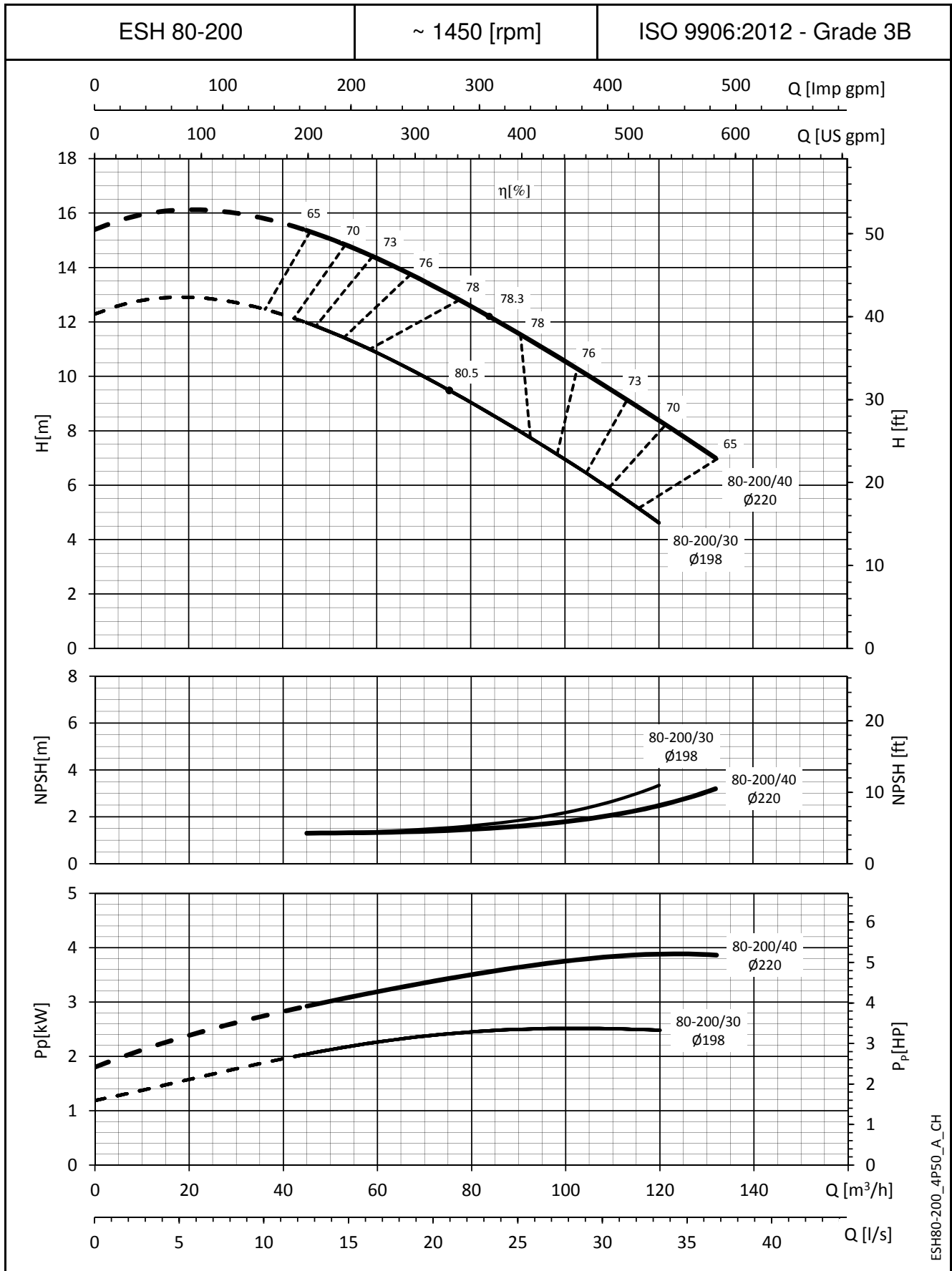
ESH SERIES
OPERATING CHARACTERISTICS AT 50 Hz, 4 POLES



ESH80-160_4P50_A_CH

The NPSH values are laboratory values; for practical use we suggest increasing these values by 0,5 m.
These performances are valid for liquids with density $\rho = 1,0 \text{ Kg/dm}^3$ and kinematic viscosity $\nu = 1 \text{ mm}^2/\text{sec}$.

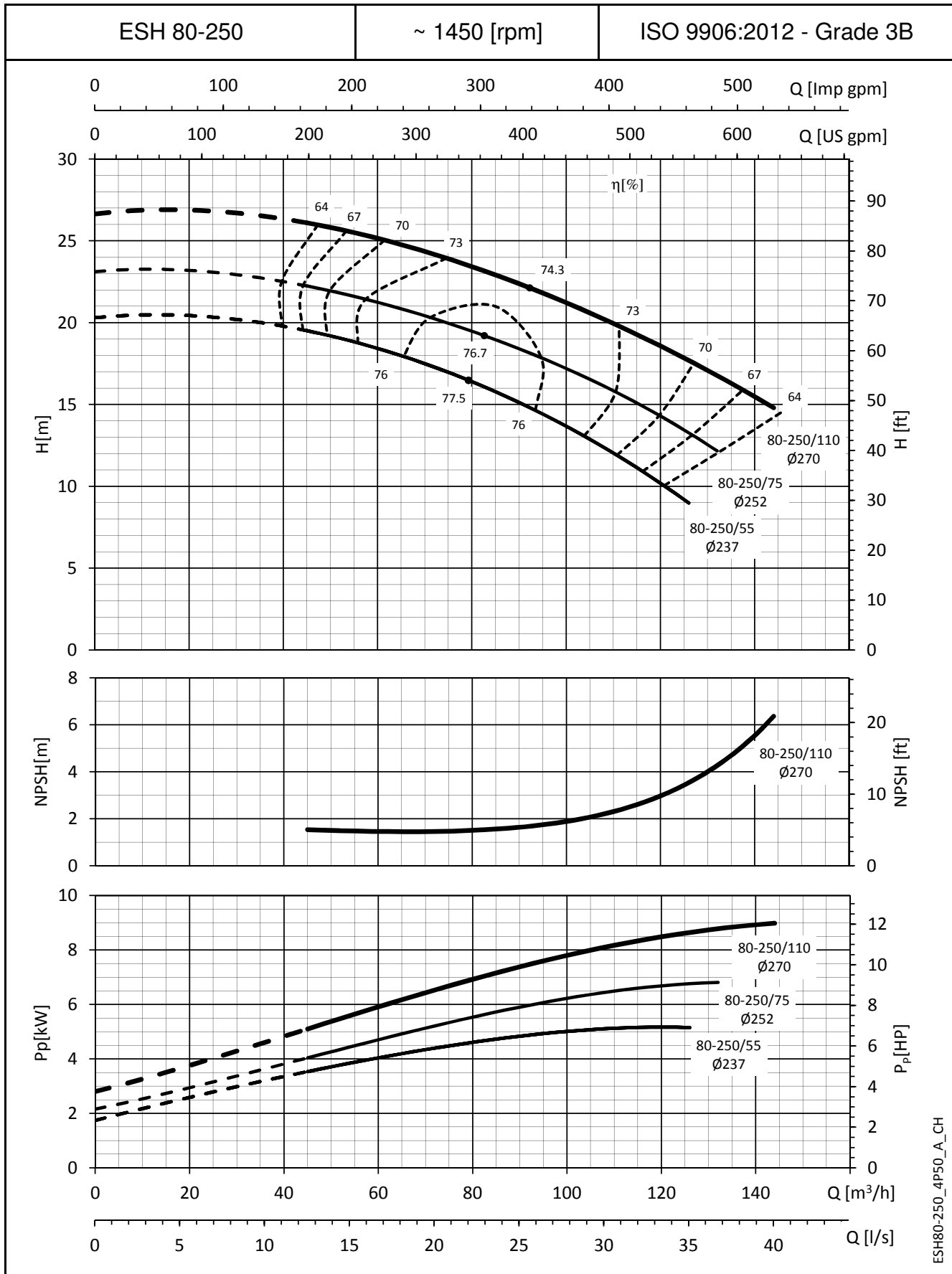
ESH SERIES
OPERATING CHARACTERISTICS AT 50 Hz, 4 POLES



ESH80-200_4P50_A_CH

The NPSH values are laboratory values; for practical use we suggest increasing these values by 0,5 m.
These performances are valid for liquids with density $\rho = 1,0 \text{ Kg/dm}^3$ and kinematic viscosity $\nu = 1 \text{ mm}^2/\text{sec}$.

ESH SERIES
OPERATING CHARACTERISTICS AT 50 Hz, 4 POLES

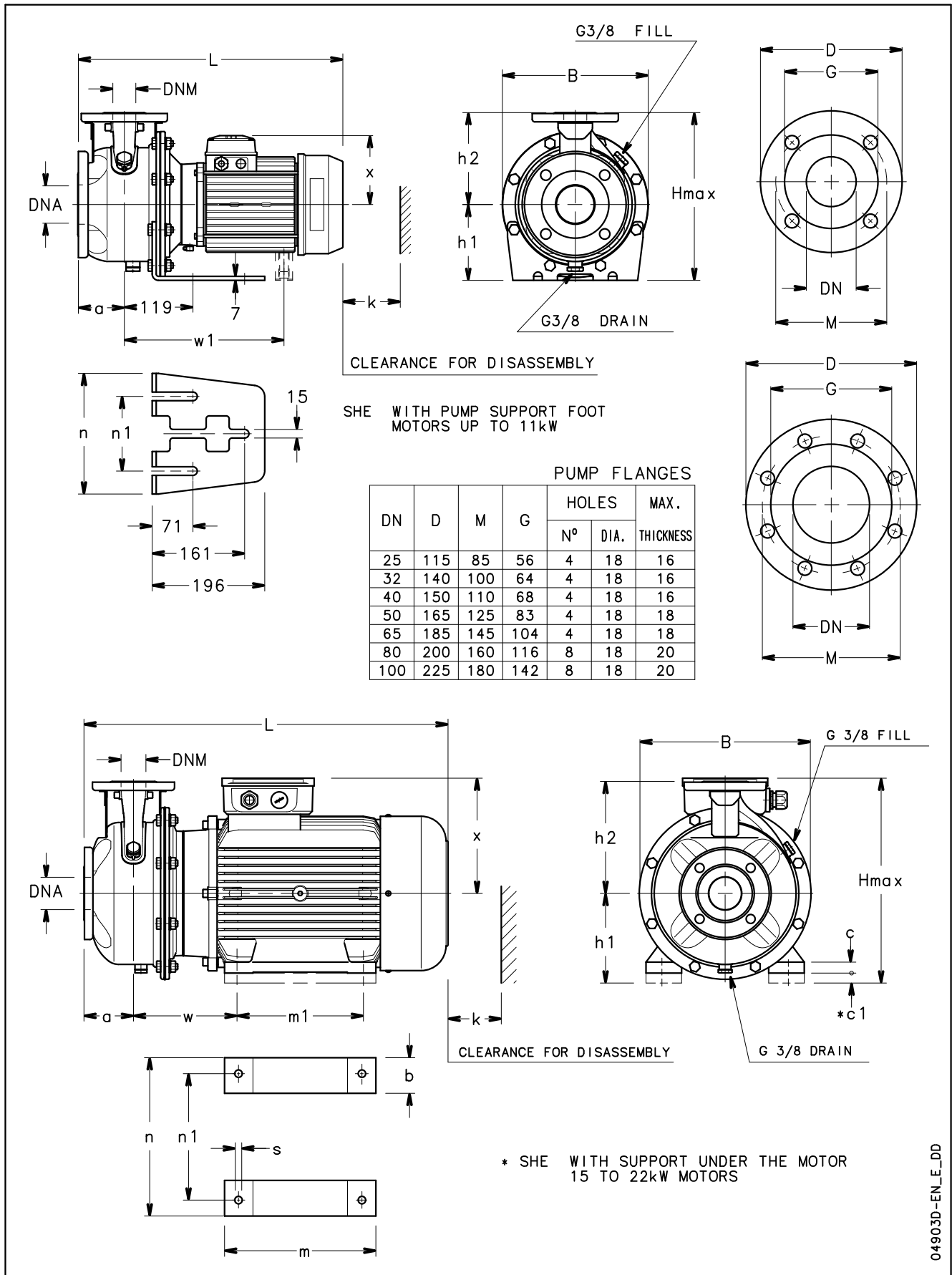


ESH80-250_4P50_A_CH

The NPSH values are laboratory values; for practical use we suggest increasing these values by 0,5 m.
These performances are valid for liquids with density $\rho = 1,0 \text{ Kg/dm}^3$ and kinematic viscosity $\nu = 1 \text{ mm}^2/\text{sec}$.

DIMENSIONS AND WEIGHTS

ESHE SERIES
DIMENSIONS AND WEIGHTS AT 50 Hz, 2 POLES



04903D-EN_E_DD

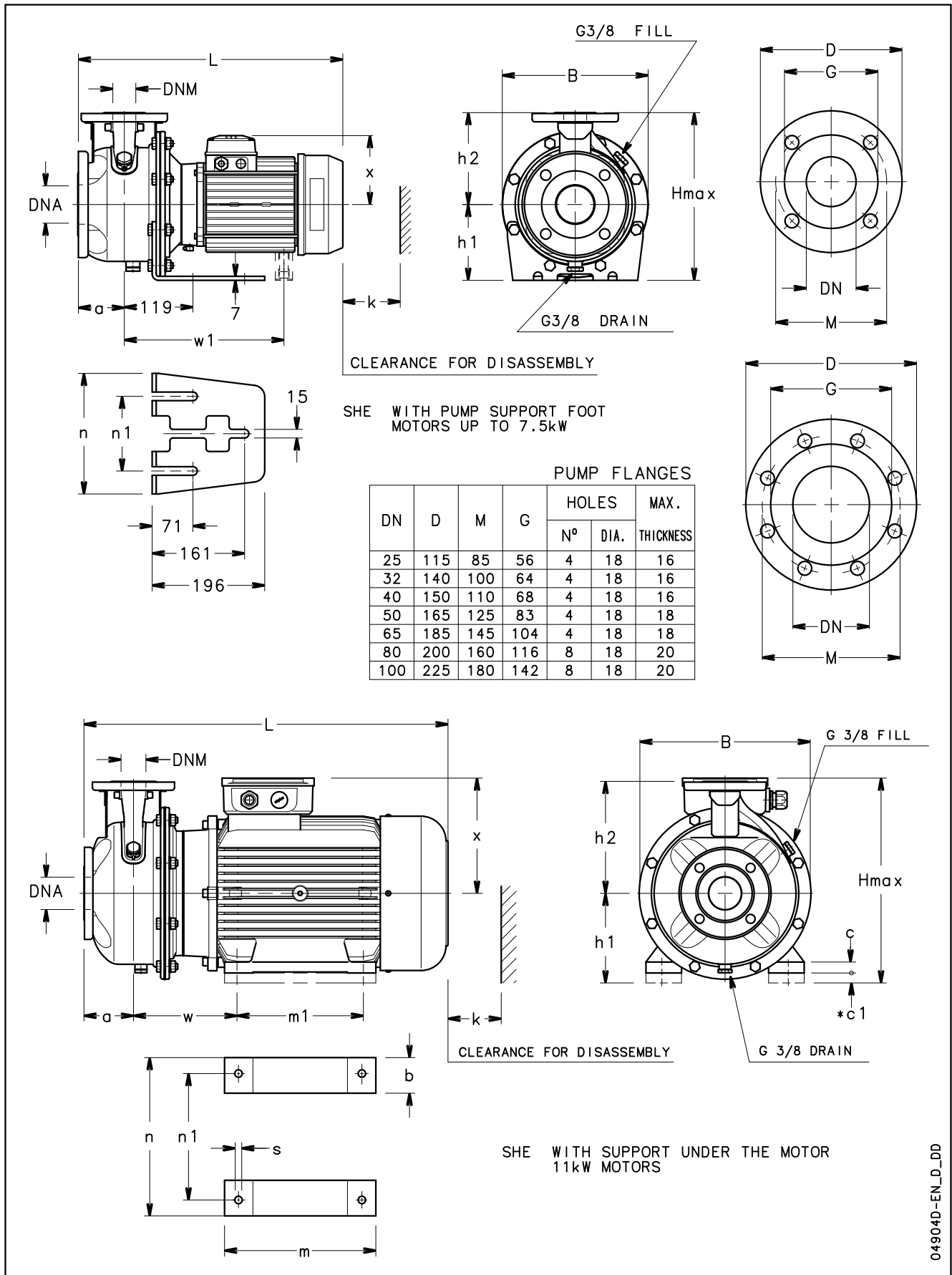
ESHE SERIES DIMENSIONS AND WEIGHTS AT 50 Hz, 2 POLES

PUMP TYPE ESHE..2	DIMENSIONS (mm)															B	H max	L	k	WEIGHT kg	
	DNM	DNA	PUMP					SUPPORT					s								
			a	h2	w	w1	x	b	c	*c1	h1	m	m1	n	n1						
25-125/07/S	25	50	80	140	-	-	129	-	-	-	160	-	-	190	130	-	218	300	443	98	18,6
25-125/11/S	25	50	80	140	-	-	129	-	-	-	160	-	-	190	130	-	218	300	443	98	20,6
25-160/15/S	25	50	80	160	-	-	129	-	-	-	160	-	-	210	130	-	253	320	443	98	24,4
25-160/22/P	25	50	80	160	-	-	134	-	-	-	160	-	-	210	130	-	253	320	478	98	29
25-200/30/P	25	50	80	180	-	-	134	-	-	-	160	-	-	230	130	-	284	340	478	98	38
25-200/40/P	25	50	80	180	-	-	154	-	-	-	160	-	-	230	130	-	284	340	499	98	41
25-250/55/P	25	50	100	225	-	-	168	-	-	-	180	-	-	265	130	-	345	405	553	98	66
25-250/75/P	25	50	100	225	-	305	191	-	-	-	180	-	-	265	130	-	345	405	567	98	84
25-250/110/P	25	50	100	225	-	343	191	-	-	-	180	-	-	265	130	-	345	405	605	98	92
32-125/07/S	32	50	80	140	-	-	129	-	-	-	112	-	-	190	130	-	218	252	443	98	18,6
32-125/11/S	32	50	80	140	-	-	129	-	-	-	112	-	-	190	130	-	218	252	443	98	20,6
32-160/15/S	32	50	80	160	-	-	129	-	-	-	132	-	-	210	130	-	253	292	443	98	24,4
32-160/22/P	32	50	80	160	-	-	134	-	-	-	132	-	-	210	130	-	253	292	478	98	29
32-200/30/P	32	50	80	180	-	-	134	-	-	-	160	-	-	230	130	-	284	340	478	98	38
32-200/40/P	32	50	80	180	-	-	154	-	-	-	160	-	-	230	130	-	284	340	499	98	41
32-250/55/P	32	50	100	225	-	-	168	-	-	-	180	-	-	265	130	-	345	405	553	98	66
32-250/75/P	32	50	100	225	-	305	191	-	-	-	180	-	-	265	130	-	345	405	567	98	84
32-250/110/P	32	50	100	225	-	343	191	-	-	-	180	-	-	265	130	-	345	405	605	98	92
40-125/11/S	40	65	80	140	-	-	129	-	-	-	112	-	-	190	130	-	218	252	443	100	21,6
40-125/15/S	40	65	80	140	-	-	129	-	-	-	112	-	-	190	130	-	218	252	443	100	22,4
40-125/22/P	40	65	80	140	-	-	134	-	-	-	112	-	-	190	130	-	218	252	478	100	30
40-160/30/P	40	65	80	160	-	-	134	-	-	-	132	-	-	210	130	-	253	292	478	100	32
40-160/40/P	40	65	80	160	-	-	154	-	-	-	132	-	-	210	130	-	253	292	499	100	40
40-200/55/P	40	65	100	180	-	-	168	-	-	-	160	-	-	230	130	-	284	340	553	100	52
40-200/75/P	40	65	100	180	-	305	191	-	-	-	160	-	-	230	130	-	284	340	567	100	65
40-250/92/P	40	65	100	225	-	343	191	-	-	-	180	-	-	265	130	-	345	405	605	107	89
40-250/110/P	40	65	100	225	-	343	191	-	-	-	180	-	-	265	130	-	345	405	605	107	94
40-250/150/P	40	65	100	225	208	-	240	49	5	20	180	304	210	304	254	15	345	420	694	107	130
50-125/22/P	50	65	100	160	-	-	134	-	-	-	132	-	-	210	130	-	253	292	498	104	30
50-125/30/P	50	65	100	160	-	-	134	-	-	-	132	-	-	210	130	-	253	292	498	104	33
50-125/40/P	50	65	100	160	-	-	154	-	-	-	132	-	-	210	130	-	253	292	519	104	40
50-160/55/P	50	65	100	180	-	-	168	-	-	-	160	-	-	210	130	-	253	340	553	104	52
50-160/75/P	50	65	100	180	-	305	191	-	-	-	160	-	-	210	130	-	253	351	567	104	67
50-200/92/P	50	65	100	200	-	343	191	-	-	-	160	-	-	245	130	-	310	360	605	104	84
50-200/110/P	50	65	100	200	-	343	191	-	-	-	160	-	-	245	130	-	310	360	605	104	88
50-250/150/P	50	65	100	225	208	-	240	49	5	20	180	304	210	304	254	15	345	420	694	107	131
50-250/185/P	50	65	100	225	208	-	240	49	5	20	180	304	254	304	254	15	345	420	694	107	144
50-250/220/P	50	65	100	225	208	-	240	49	5	20	180	304	254	304	254	15	345	420	694	107	147
65-160/40/P	65	80	100	200	-	-	154	-	-	-	160	-	-	245	130	-	310	360	519	130	56
65-160/55/P	65	80	100	200	-	-	168	-	-	-	160	-	-	245	130	-	310	360	553	130	63
65-160/75/P	65	80	100	200	-	305	191	-	-	-	160	-	-	245	130	-	310	360	567	130	80
65-160/92/P	65	80	100	200	-	343	191	-	-	-	160	-	-	245	130	-	310	360	605	130	95
65-160/110/P	65	80	100	200	-	343	191	-	-	-	160	-	-	245	130	-	310	360	605	130	102
65-200/150/P	65	80	100	225	208	-	240	49	5	20	180	304	210	304	254	15	310	420	694	130	131
65-200/185/P	65	80	100	225	208	-	240	49	5	20	180	304	254	304	254	15	310	420	694	130	141
65-200/220/P	65	80	100	225	208	-	240	49	5	20	180	304	254	304	254	15	310	420	694	130	151
80-160/110/P	80	100	125	225	-	343	191	-	-	-	180	-	-	265	130	-	345	405	630	160	94
80-160/150/P	80	100	125	225	208	-	240	49	5	20	180	304	210	304	254	15	345	420	719	160	128
80-160/185/P	80	100	125	225	208	-	240	49	5	20	180	304	254	304	254	15	345	420	719	160	139
80-200/220/P	80	100	125	250	208	-	240	49	5	20	180	304	254	304	254	15	345	430	719	160	156

* Motor shim on request

ESHE_2p50-en_a_td

ESHE SERIES
DIMENSIONS AND WEIGHTS AT 50 Hz, 4 POLES



04904D-EN_D_DD

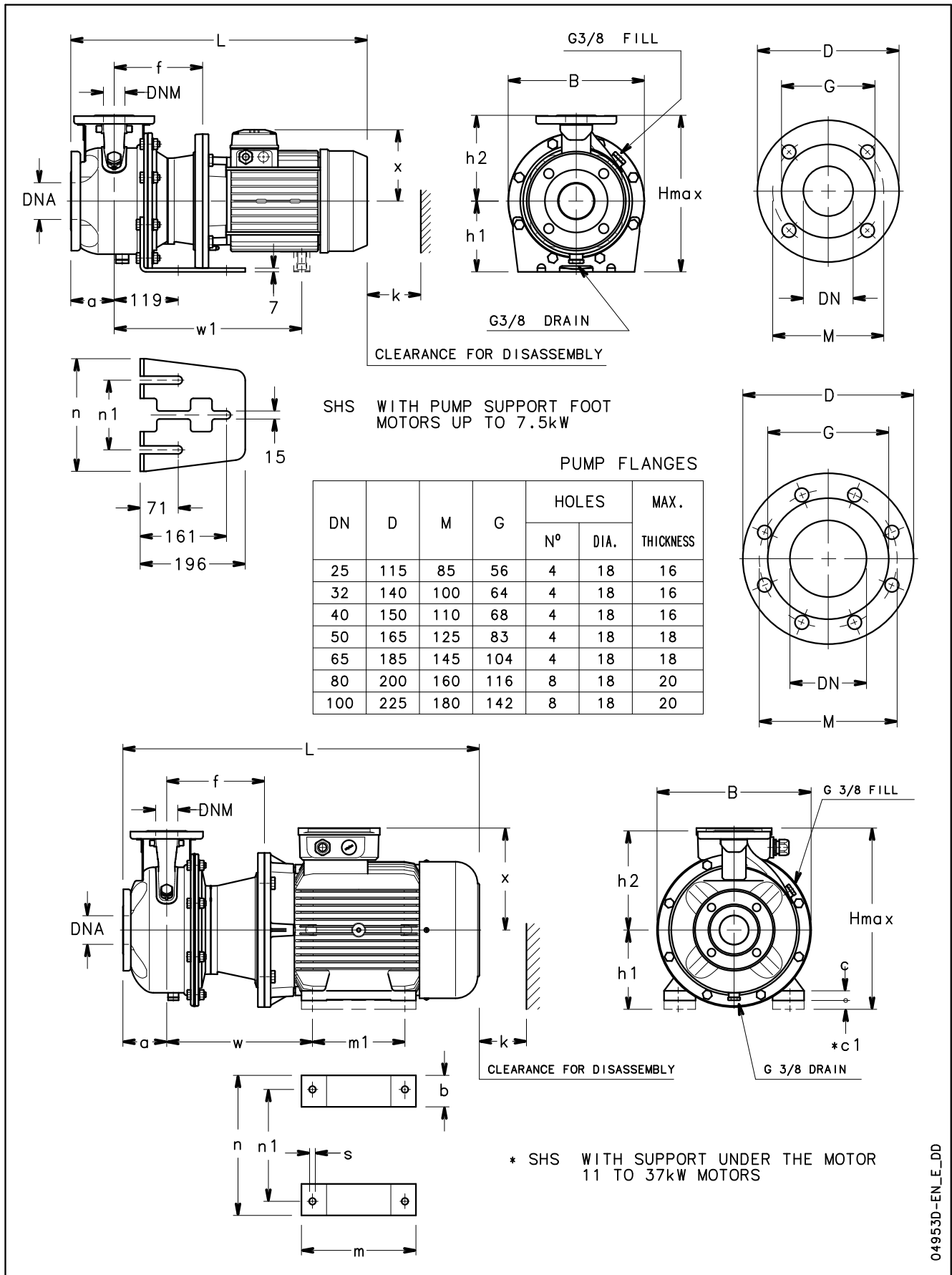
ESHE SERIES DIMENSIONS AND WEIGHTS AT 50 Hz, 4 POLES

PUMP TYPE ESHE..4	DIMENSIONS (mm)															B	H max	L	k	WEIGHT kg	
	DNM	DNA	PUMP					SUPPORT					s								
			a	h2	w	w1	x	b	c	*c1	h1	m	m1	n	n1						
25-125/02A/S	25	50	80	140	-	-	121	-	-	-	160	-	-	190	130	-	218	300	411	98	15
25-125/02/S	25	50	80	140	-	-	121	-	-	-	160	-	-	190	130	-	218	300	411	98	16
25-160/02A/S	25	50	80	160	-	-	121	-	-	-	160	-	-	210	130	-	253	320	411	98	18
25-160/02/S	25	50	80	160	-	-	121	-	-	-	160	-	-	210	130	-	253	320	411	98	19
25-200/03/S	25	50	80	180	-	-	121	-	-	-	160	-	-	230	130	-	284	340	411	98	26
25-200/05/S	25	50	80	180	-	-	129	-	-	-	160	-	-	230	130	-	284	340	443	98	27
25-250/07/X	25	50	100	225	-	-	128	-	-	-	180	-	-	265	130	-	345	405	431	98	42
25-250/11/P	25	50	100	225	-	-	134	-	-	-	180	-	-	265	130	-	345	405	498	98	49
25-250/15/P	25	50	100	225	-	-	134	-	-	-	180	-	-	265	130	-	345	405	498	98	51
32-125/02A/S	32	50	80	140	-	-	121	-	-	-	112	-	-	190	130	-	218	252	411	98	15
32-125/02/S	32	50	80	140	-	-	121	-	-	-	112	-	-	190	130	-	218	252	411	98	16
32-160/02A/S	32	50	80	160	-	-	121	-	-	-	132	-	-	210	130	-	253	292	411	98	18
32-160/02/S	32	50	80	160	-	-	121	-	-	-	132	-	-	210	130	-	253	292	411	98	19
32-200/03/S	32	50	80	180	-	-	121	-	-	-	160	-	-	230	130	-	284	340	411	98	26
32-200/05/S	32	50	80	180	-	-	129	-	-	-	160	-	-	230	130	-	284	340	443	98	27
32-250/07/X	32	50	100	225	-	-	128	-	-	-	180	-	-	265	130	-	345	405	431	98	42
32-250/11/P	32	50	100	225	-	-	134	-	-	-	180	-	-	265	130	-	345	405	498	98	49
32-250/15/P	32	50	100	225	-	-	134	-	-	-	180	-	-	265	130	-	345	405	498	98	51
40-125/02A/S	40	65	80	140	-	-	121	-	-	-	112	-	-	190	130	-	218	252	411	100	16
40-125/02/S	40	65	80	140	-	-	121	-	-	-	112	-	-	190	130	-	218	252	411	100	17
40-160/03/S	40	65	80	160	-	-	121	-	-	-	132	-	-	210	130	-	253	292	411	100	20
40-160/05/S	40	65	80	160	-	-	129	-	-	-	132	-	-	210	130	-	253	292	443	100	24
40-200/07/X	40	65	100	180	-	-	128	-	-	-	160	-	-	230	130	-	285	340	431	100	27
40-200/11/P	40	65	100	180	-	-	134	-	-	-	160	-	-	230	130	-	285	340	498	100	35
40-250/11/P	40	65	100	225	-	-	134	-	-	-	180	-	-	265	130	-	345	405	498	107	47
40-250/15/P	40	65	100	225	-	-	134	-	-	-	180	-	-	265	130	-	345	405	498	107	61
40-250/22/P	40	65	100	225	-	-	168	-	-	-	180	-	-	265	130	-	345	405	522	107	65
50-125/02/S	50	65	100	160	-	-	121	-	-	-	132	-	-	210	130	-	253	292	431	104	20
50-125/03/S	50	65	100	160	-	-	121	-	-	-	132	-	-	210	130	-	253	292	431	104	20
50-125/05/S	50	65	100	160	-	-	129	-	-	-	132	-	-	210	130	-	253	292	463	104	26
50-160/07/X	50	65	100	180	-	-	128	-	-	-	160	-	-	210	130	-	253	340	431	104	30
50-160/11/P	50	65	100	180	-	-	134	-	-	-	160	-	-	210	130	-	253	340	498	104	40
50-200/11/P	50	65	100	200	-	-	134	-	-	-	160	-	-	245	130	-	310	360	498	104	48
50-200/15/P	50	65	100	200	-	-	134	-	-	-	160	-	-	245	130	-	310	360	498	104	51
50-250/22A/P	50	65	100	225	-	-	168	-	-	-	180	-	-	265	130	-	345	405	522	107	56
50-250/22/P	50	65	100	225	-	-	168	-	-	-	180	-	-	265	130	-	345	405	522	107	56
50-250/30/P	50	65	100	225	-	-	168	-	-	-	180	-	-	265	130	-	345	405	553	107	62
65-200/15/P	65	80	100	225	-	-	134	-	-	-	180	-	-	245	130	-	310	405	498	130	56
65-200/22/P	65	80	100	225	-	-	168	-	-	-	180	-	-	245	130	-	310	405	522	130	64
65-200/30/P	65	80	100	225	-	-	168	-	-	-	180	-	-	245	130	-	310	405	553	130	64
65-250/40/P	65	80	100	250	-	315	168	-	-	-	200	-	-	265	130	-	345	450	598	140	84
65-250/55/P	65	80	100	250	-	343	191	-	-	-	200	-	-	265	130	-	345	450	605	140	97
80-160/15/P	80	100	125	225	-	-	134	-	-	-	180	-	-	265	130	-	345	405	523	160	55
80-160/22A/P	80	100	125	225	-	-	168	-	-	-	180	-	-	265	130	-	345	405	547	160	63
80-160/22/P	80	100	125	225	-	-	168	-	-	-	180	-	-	265	130	-	345	405	547	160	66
80-200/30/P	80	100	125	250	-	-	168	-	-	-	180	-	-	265	130	-	345	430	578	160	69
80-200/40/P	80	100	125	250	-	315	168	-	-	-	180	-	-	265	130	-	345	430	623	160	88
80-250/55/P	80	100	125	280	-	343	191	-	-	-	200	-	-	303	210	-	383	480	630	160	102
80-250/75/P	80	100	125	280	-	343	191	-	-	-	200	-	-	303	210	-	383	480	630	160	106
80-250/110/P	80	100	125	280	208	-	240	49	5	40	200	304	210	304	254	15	383	480	719	160	145

* Motor shim on request

ESHE_4p50-en_a_td

ESHS SERIES
DIMENSIONS AND WEIGHTS AT 50 Hz, 2 POLES



04953D-EN_E_DD

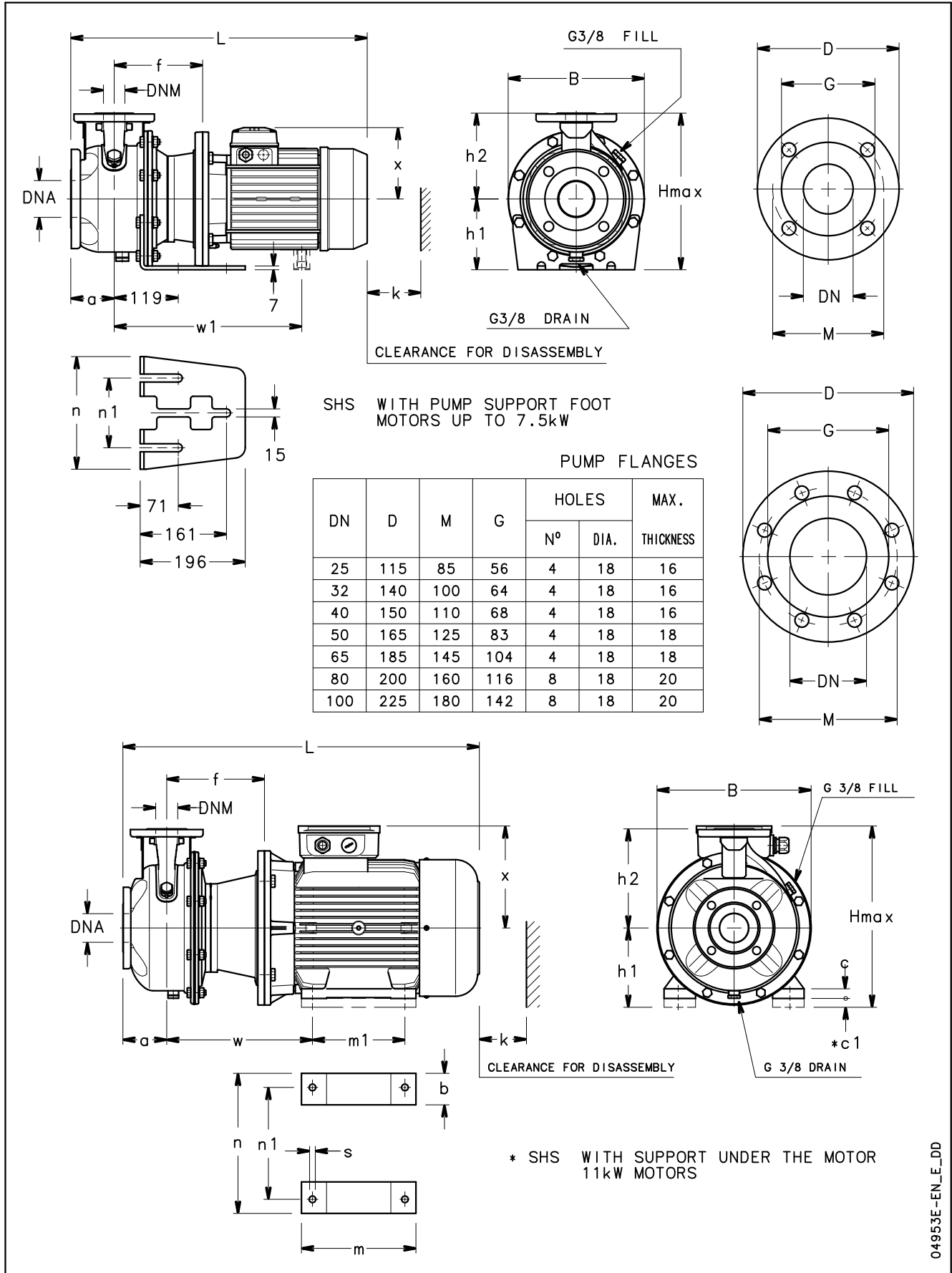
ESHS SERIES DIMENSIONS AND WEIGHTS AT 50 Hz, 2 POLES

PUMP TYPE ESHS..2	DIMENSIONS (mm)																	B	H max	L	k	WEIGHT kg
	DNM	DNA	PUMP					SUPPORT														
	a	f	h2	w	w1	x	b	c	*c1	h1	m	m1	n	n1	s							
25-125/07/S	25	50	80	155	140	-	-	129	-	-	-	160	-	-	190	130	-	218	300	498	98	24
25-125/11/S	25	50	80	155	140	-	-	129	-	-	-	160	-	-	190	130	-	218	300	498	98	25
25-160/15/S	25	50	80	155	160	-	-	129	-	-	-	160	-	-	210	130	-	253	320	498	98	27
25-160/22/P	25	50	80	155	160	-	-	134	-	-	-	160	-	-	210	130	-	253	320	533	98	33
25-200/30/P	25	50	80	165	180	-	-	134	-	-	-	160	-	-	230	130	-	284	340	543	98	44
25-200/40/P	25	50	80	165	180	-	-	154	-	-	-	160	-	-	230	130	-	284	340	564	98	51
25-250/55/P	25	50	100	192	225	-	399	168	-	-	-	180	-	-	265	130	-	345	405	667	98	77
25-250/75/P	25	50	100	192	225	-	397	191	-	-	-	180	-	-	265	130	-	345	405	659	98	91
25-250/110/P	25	50	100	222	225	330	-	240	49	5	20	180	304	210	304	254	15	350	420	816	98	130
32-125/07/S	32	50	80	155	140	-	-	129	-	-	-	112	-	-	190	130	-	218	252	498	98	24
32-125/11/S	32	50	80	155	140	-	-	129	-	-	-	112	-	-	190	130	-	218	252	498	98	25
32-160/15/S	32	50	80	155	160	-	-	129	-	-	-	132	-	-	210	130	-	253	292	498	98	27
32-160/22/P	32	50	80	155	160	-	-	134	-	-	-	132	-	-	210	130	-	253	292	533	98	33
32-200/30/P	32	50	80	165	180	-	-	134	-	-	-	160	-	-	230	130	-	284	340	543	98	44
32-200/40/P	32	50	80	165	180	-	-	154	-	-	-	160	-	-	230	130	-	284	340	564	98	51
32-250/55/P	32	50	100	192	225	-	399	168	-	-	-	180	-	-	265	130	-	345	405	667	98	77
32-250/75/P	32	50	100	192	225	-	397	191	-	-	-	180	-	-	265	130	-	345	405	659	98	91
32-250/110/P	32	50	100	222	225	330	-	240	49	5	20	180	304	210	304	254	15	350	420	816	98	130
40-125/11/S	40	65	80	155	140	-	-	129	-	-	-	112	-	-	190	130	-	218	252	498	100	26
40-125/15/S	40	65	80	155	140	-	-	129	-	-	-	112	-	-	190	130	-	218	252	498	100	26
40-125/22/P	40	65	80	155	140	-	-	134	-	-	-	112	-	-	190	130	-	218	252	533	100	32
40-160/30/P	40	65	80	165	160	-	-	134	-	-	-	132	-	-	210	130	-	253	292	543	100	42
40-160/40/P	40	65	80	165	160	-	-	154	-	-	-	132	-	-	210	130	-	253	292	564	100	48
40-200/55/P	40	65	100	192	180	-	399	168	-	-	-	160	-	-	230	130	-	300	340	667	100	63
40-200/75/P	40	65	100	192	180	-	397	191	-	-	-	160	-	-	230	130	-	300	351	659	100	80
40-250/110A/P	40	65	100	222	225	330	-	240	49	5	20	180	304	210	304	254	15	350	420	816	107	129
40-250/110/P	40	65	100	222	225	330	-	240	49	5	20	180	304	210	304	254	15	350	420	816	107	129
40-250/150/P	40	65	100	222	225	330	-	240	49	5	20	180	304	210	304	254	15	350	420	816	107	142
50-125/22/P	50	65	100	155	160	-	-	134	-	-	-	132	-	-	210	130	-	253	292	553	104	36
50-125/30/P	50	65	100	165	160	-	-	134	-	-	-	132	-	-	210	130	-	253	292	563	104	37
50-125/40/P	50	65	100	165	160	-	-	154	-	-	-	132	-	-	210	130	-	253	292	584	104	48
50-160/55/P	50	65	100	192	180	-	399	168	-	-	-	160	-	-	210	130	-	300	340	667	104	62
50-160/75/P	50	65	100	192	180	-	397	191	-	-	-	160	-	-	210	130	-	300	351	659	104	81
50-200/110A/P	50	65	100	222	200	330	-	240	49	5	20	180	304	210	304	254	15	350	420	816	104	126
50-200/110/P	50	65	100	222	200	330	-	240	49	5	20	180	304	210	304	254	15	350	420	816	104	130
50-250/150/P	50	65	100	222	225	330	-	240	49	5	20	180	304	210	304	254	15	350	420	816	107	148
50-250/185/P	50	65	100	222	225	330	-	240	49	5	20	180	304	254	304	254	15	350	420	816	107	156
50-250/220/P	50	65	100	222	225	330	-	240	49	5	20	180	304	254	304	254	15	350	420	816	107	162
65-160/40/P	65	80	100	165	200	-	-	154	-	-	-	160	-	-	245	130	-	310	360	584	130	60
65-160/55/P	65	80	100	192	200	-	399	168	-	-	-	160	-	-	245	130	-	310	360	667	130	78
65-160/75/P	65	80	100	192	200	-	397	191	-	-	-	160	-	-	245	130	-	310	360	659	130	93
65-160/110A/P	65	80	100	222	200	330	-	240	49	5	20	180	304	210	304	254	15	350	420	816	130	116
65-160/110/P	65	80	100	222	200	330	-	240	49	5	20	180	304	210	304	254	15	350	420	816	130	120
65-200/150/P	65	80	100	222	225	330	-	240	49	5	20	180	304	210	304	254	15	350	420	816	130	147
65-200/185/P	65	80	100	222	225	330	-	240	49	5	20	180	304	254	304	254	15	350	420	816	130	153
65-200/220/P	65	80	100	222	225	330	-	240	49	5	20	180	304	254	304	254	15	350	420	816	130	167
65-250/300/W	65	80	100	228	250	361	-	317	82	30	-	200	370	305	385	318	18	402	517	985	140	290
65-250/370/W	65	80	100	228	250	361	-	317	82	30	-	200	370	305	385	318	18	402	517	985	140	322
80-160/110/P	80	100	125	222	225	330	-	240	49	5	20	180	304	210	304	254	15	350	420	841	160	116
80-160/150/P	80	100	125	222	225	330	-	240	49	5	20	180	304	210	304	254	15	350	420	841	160	152
80-160/185/P	80	100	125	222	225	330	-	240	49	5	20	180	304	254	304	254	15	350	420	841	160	160
80-200/220/P	80	100	125	222	250	330	-	240	49	5	20	180	304	254	304	254	15	350	430	841	160	162
80-200/300/W	80	100	125	228	250	361	-	317	82	30	-	200	370	305	385	318	18	402	517	985	160	312
80-200/370/W	80	100	125	228	250	361	-	317	82	30	-	200	370	305	385	318	18	402	517	985	160	317

* Motor shim on request

ESHS_2p50-en_a_td

ESHS SERIES
DIMENSIONS AND WEIGHTS AT 50 Hz, 4 POLES



04953E-EN_E_DD

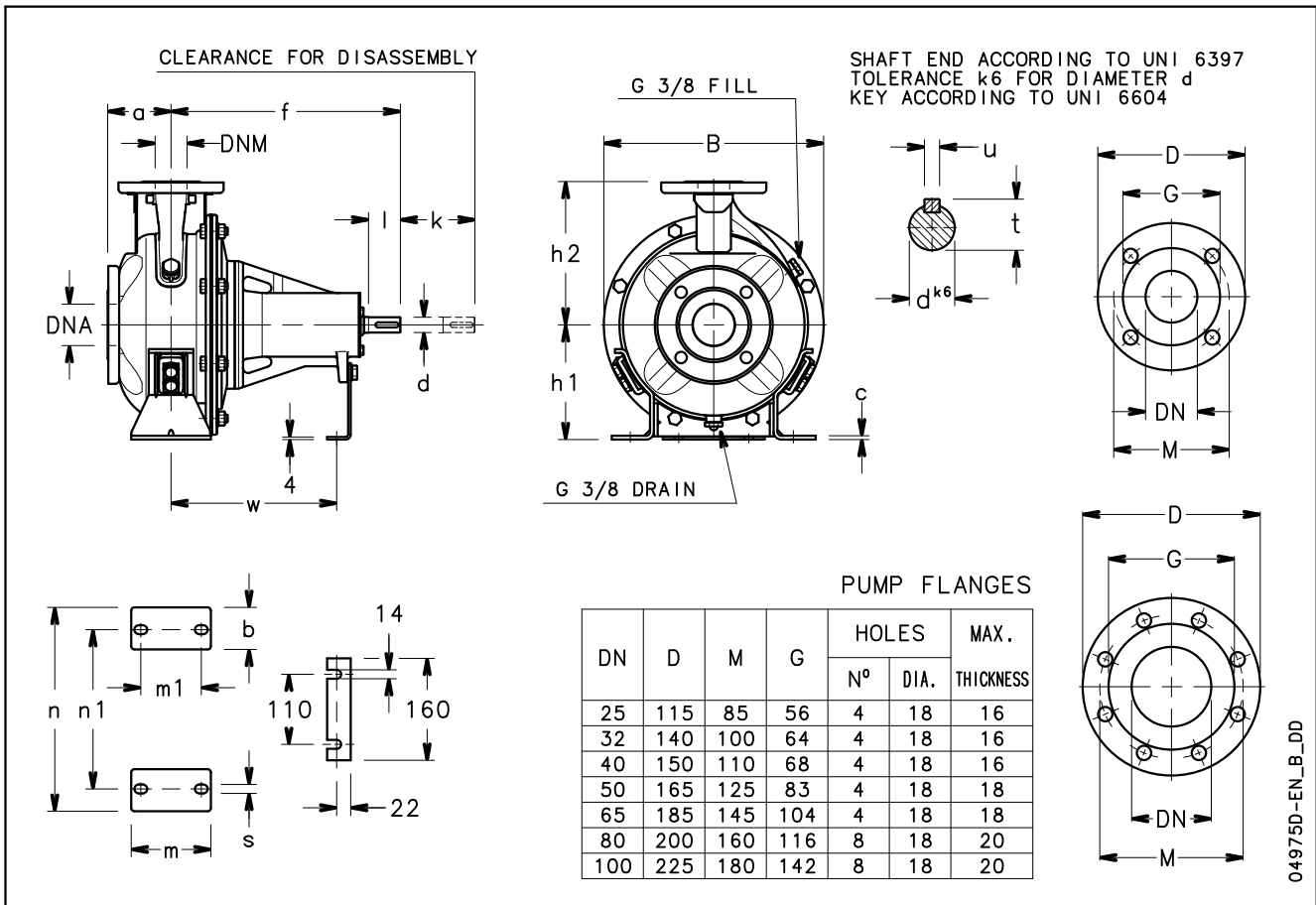
ESHS SERIES DIMENSIONS AND WEIGHTS AT 50 Hz, 4 POLES

PUMP TYPE ESHS..4	DIMENSIONS (mm)																	B	H max	L	k	WEIGHT kg
	DNM	DNA	PUMP							SUPPORT												
		a	f	h2	w	w1	x	b	c	*c1	h1	m	m1	n	n1	s						
25-250/07/X	25	50	100	155	225	-	-	128	-	-	-	180	-	-	265	130	-	345	405	486	98	42
25-250/11/P	25	50	100	155	225	-	-	134	-	-	-	180	-	-	265	130	-	345	405	553	98	49
25-250/15/P	25	50	100	155	225	-	-	134	-	-	-	180	-	-	265	130	-	345	405	553	98	50
32-250/07/X	32	50	100	155	225	-	-	128	-	-	-	180	-	-	265	130	-	345	405	486	98	42
32-250/11/P	32	50	100	155	225	-	-	134	-	-	-	180	-	-	265	130	-	345	405	553	98	49
32-250/15/P	32	50	100	155	225	-	-	134	-	-	-	180	-	-	265	130	-	345	405	553	98	50
40-200/07/X	40	65	100	155	180	-	-	128	-	-	-	160	-	-	230	130	-	284	340	486	##	31
40-200/11/P	40	65	100	155	180	-	-	134	-	-	-	160	-	-	230	130	-	284	340	553	##	37
40-250/11/P	40	65	100	155	225	-	-	134	-	-	-	180	-	-	265	130	-	345	405	553	##	51
40-250/15/P	40	65	100	155	225	-	-	134	-	-	-	180	-	-	265	130	-	345	405	553	##	64
40-250/22/P	40	65	100	165	225	-	-	168	-	-	-	180	-	-	265	130	-	345	405	587	##	68
50-160/07/X	50	65	100	155	180	-	-	128	-	-	-	160	-	-	210	130	-	253	340	486	##	30
50-160/11/P	50	65	100	155	180	-	-	134	-	-	-	160	-	-	210	130	-	253	340	553	##	36
50-200/11/P	50	65	100	155	200	-	-	134	-	-	-	160	-	-	245	130	-	310	360	553	##	49
50-200/15/P	50	65	100	155	200	-	-	134	-	-	-	160	-	-	245	130	-	310	360	553	##	52
50-250/22A/P	50	65	100	165	225	-	-	168	-	-	-	180	-	-	265	130	-	345	405	587	##	58
50-250/22/P	50	65	100	165	225	-	-	168	-	-	-	180	-	-	265	130	-	345	405	587	##	59
50-250/30/P	50	65	100	165	225	-	-	168	-	-	-	180	-	-	265	130	-	345	405	618	##	65
65-200/15/P	65	80	100	155	225	-	-	134	-	-	-	180	-	-	245	130	-	310	405	553	##	54
65-200/22/P	65	80	100	165	225	-	-	168	-	-	-	180	-	-	245	130	-	310	405	587	##	71
65-200/30/P	65	80	100	165	225	-	-	168	-	-	-	180	-	-	245	130	-	310	405	618	##	72
65-250/40/P	65	80	100	165	250	-	380	168	-	-	-	200	-	-	265	130	-	345	450	663	##	97
65-250/55/P	65	80	100	192	250	-	435	191	-	-	-	200	-	-	265	130	-	345	450	697	##	104
80-160/15/P	80	100	125	155	225	-	-	134	-	-	-	180	-	-	265	130	-	345	405	578	##	59
80-160/22A/P	80	100	125	165	225	-	-	168	-	-	-	180	-	-	265	130	-	345	405	612	##	67
80-160/22/P	80	100	125	165	225	-	-	168	-	-	-	180	-	-	265	130	-	345	405	612	##	67
80-200/30/P	80	100	125	165	250	-	-	168	-	-	-	180	-	-	265	130	-	345	430	643	##	72
80-200/40/P	80	100	125	165	250	-	380	168	-	-	-	180	-	-	265	130	-	345	430	688	##	88
80-250/55/P	80	100	125	192	280	-	435	191	-	-	-	200	-	-	303	210	-	383	480	722	##	107
80-250/75/P	80	100	125	192	280	-	435	191	-	-	-	200	-	-	303	210	-	383	480	722	##	113
80-250/110/P	80	100	125	222	280	330	-	240	49	5	40	200	##	210	304	254	15	383	480	841	##	153

* Motor shim on request

ESHS_4p50-en_a_td

ESH SERIES DIMENSIONS AND WEIGHTS (BARE SHAFT)

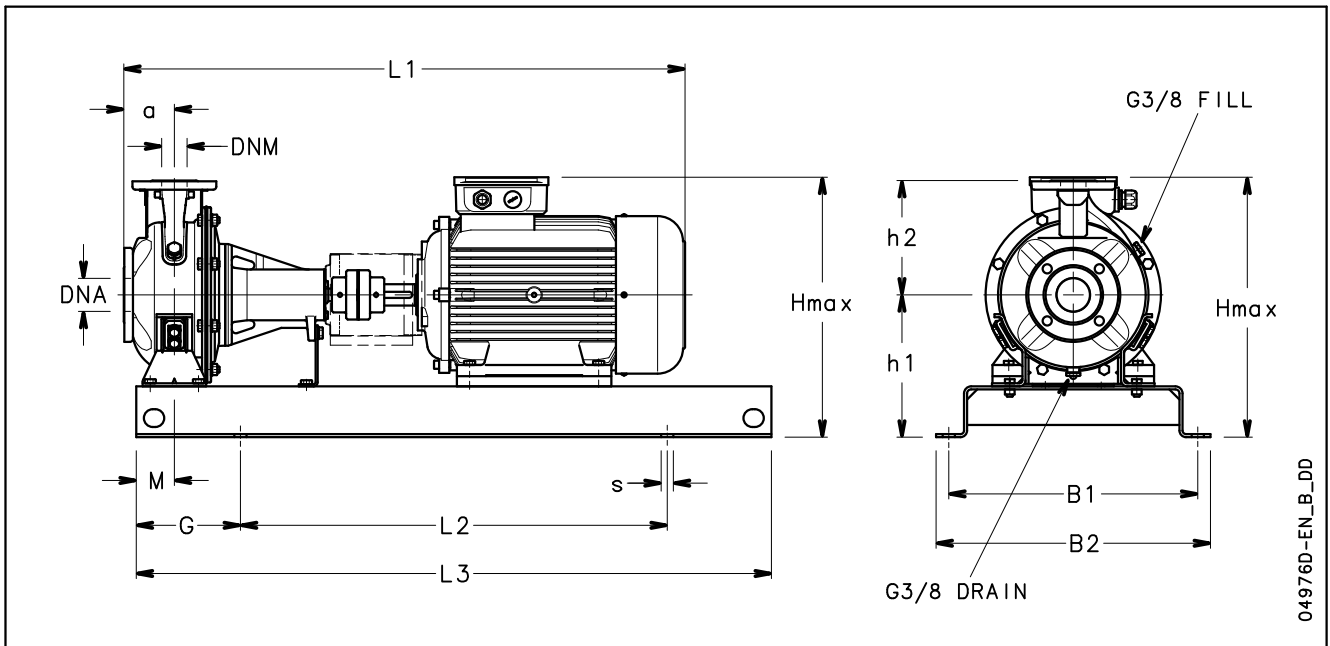


ESH SERIES DIMENSIONS AND WEIGHTS (BARE SHAFT)

PUMP TYPE ESH (BARE SHAFT)	DIMENSIONS (mm)																			B	k	WEIGHT kg
	DNM	DNA	PUMP				SUPPORT							SHAFT								
			a	f	h1	h2	b	c	m	m1	n	n1	s	w	d	l	t	u				
25-125	25	50	80	360	112	140	47	3	100	70	190	140	14	260	24	50	27	8	218	98	14	
25-160	25	50	80	360	132	160	48	3	100	70	240	190	14	260	24	50	27	8	253	98	17	
25-200	25	50	80	360	160	180	47	3	100	70	240	190	14	260	24	50	27	8	284	98	20	
25-250	25	50	100	360	180	225	54	6	125	95	320	250	14	260	24	50	27	8	345	98	34	
32-125	32	50	80	360	112	140	47	3	100	70	190	140	14	260	24	50	27	8	218	98	14	
32-160	32	50	80	360	132	160	48	3	100	70	240	190	14	260	24	50	27	8	253	98	17	
32-200	32	50	80	360	160	180	47	3	100	70	240	190	14	260	24	50	27	8	284	98	20	
32-250	32	50	100	360	180	225	54	6	125	95	320	250	14	260	24	50	27	8	345	98	34	
40-125	40	65	80	360	112	140	47	3	100	70	210	160	14	260	24	50	27	8	218	100	16	
40-160	40	65	80	360	132	160	48	3	100	70	240	190	14	260	24	50	27	8	253	100	18	
40-200	40	65	100	360	160	180	50	3	100	70	265	212	14	260	24	50	27	8	284	100	20	
40-250	40	65	100	360	180	225	54	6	125	95	320	250	14	260	24	50	27	8	345	107	33	
50-125	50	65	100	360	132	160	48	3	100	70	240	190	14	260	24	50	27	8	253	104	17	
50-160	50	65	100	360	160	180	48	3	100	70	265	212	14	260	24	50	27	8	253	104	24	
50-200	50	65	100	360	160	200	40	6	100	70	265	212	14	260	24	50	27	8	310	104	30	
50-250	50	65	100	360	180	225	54	6	125	95	320	250	14	260	24	50	27	8	345	107	37	
65-160	65	80	100	360	160	200	48	6	125	95	280	212	14	260	24	50	27	8	310	130	31	
65-200	65	80	100	360	180	225	65	15	125	95	320	250	14	260	24	50	27	8	310	130	42	
65-250	65	80	100	470	200	250	80	18	160	120	360	280	18	340	32	80	35	10	345	140	55	
80-160	80	100	125	360	180	225	54	6	125	95	320	250	14	260	24	50	27	8	345	160	37	
80-200	80	100	125	470	180	250	65	15	125	95	345	280	14	340	32	80	35	10	345	160	55	
80-250	80	100	125	470	200	280	80	18	160	120	400	315	18	340	32	80	35	10	383	160	67	

ESHbs-en_a_td

**ESHF SERIES
DIMENSIONS AND WEIGHTS AT 50 Hz, 2 POLES**

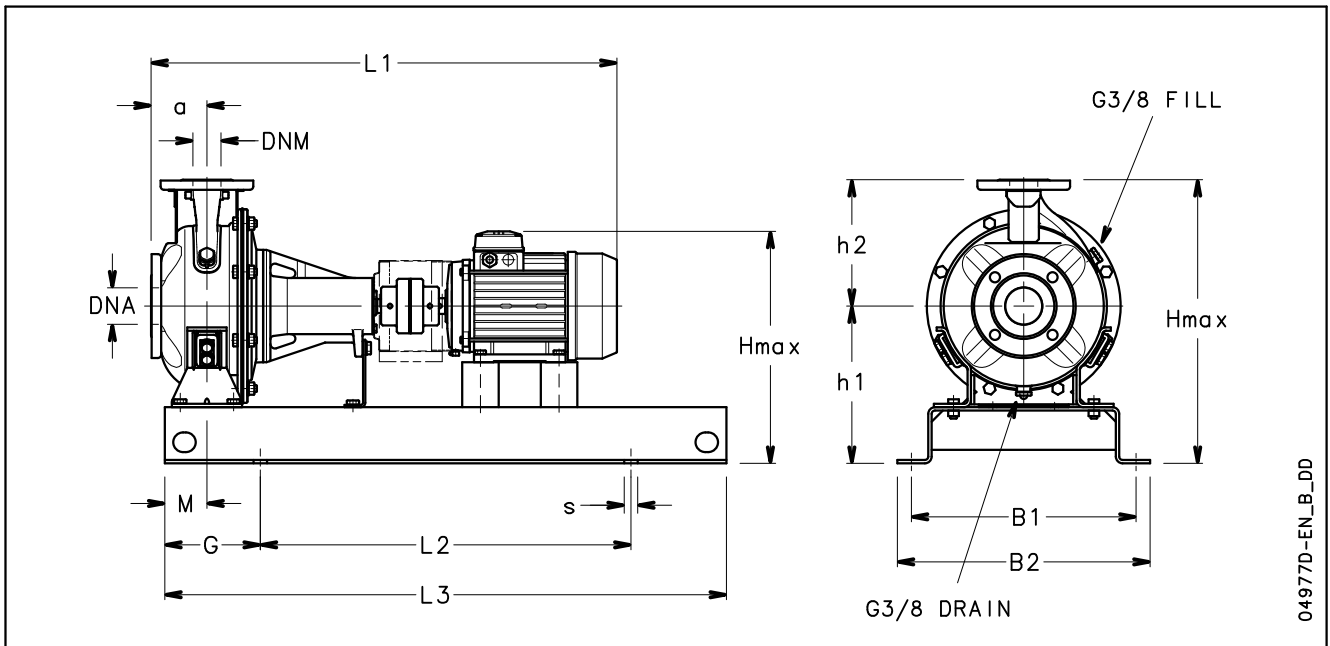


049760-EN_B_DD

ESHF SERIES DIMENSIONS AND WEIGHTS AT 50 Hz, 2 POLES

PUMP TYPE ESHF..2	DIMENSIONS (mm)													S FOR SCREWS	WEIGHT kg	COUPLING TYPE
	DNM	DNA	a	B1	B2	L1	L2	L3	G	M	h1	h2	Hmax			
25-125/07/S	25	50	80	320	360	746	540	800	130	60	212	140	352	M16	67	A2
25-125/11/S	25	50	80	320	360	746	540	800	130	60	212	140	352	M16	69	A2
25-160/15/P	25	50	80	350	390	791	600	900	150	60	232	160	392	M16	73	A3
25-160/22/P	25	50	80	350	390	791	600	900	150	60	232	160	392	M16	75	A3
25-200/30/P	25	50	80	350	390	822	600	900	150	60	260	180	440	M16	95	B1
25-200/40/P	25	50	80	350	390	825	600	900	150	60	260	180	440	M16	97	B1
25-250/55/P	25	50	100	440	490	910	740	1120	190	75	280	225	505	M20	130	C1
25-250/75/P	25	50	100	440	490	910	740	1120	190	75	280	225	505	M20	134	C1
25-250/110/P	25	50	100	490	540	1067	840	1250	205	75	280	225	520	M20	181	C2
32-125/07/S	32	50	80	320	360	746	540	800	130	60	212	140	352	M16	67	A2
32-125/11/S	32	50	80	320	360	746	540	800	130	60	212	140	352	M16	69	A2
32-160/15/P	32	50	80	350	390	791	600	900	150	60	232	160	392	M16	73	A3
32-160/22/P	32	50	80	350	390	791	600	900	150	60	232	160	392	M16	75	A3
32-200/30/P	32	50	80	350	390	822	600	900	150	60	260	180	440	M16	95	B1
32-200/40/P	32	50	80	350	390	825	600	900	150	60	260	180	440	M16	97	B1
32-250/55/P	32	50	100	440	490	910	740	1120	190	75	280	225	505	M20	130	C1
32-250/75/P	32	50	100	440	490	910	740	1120	190	75	280	225	505	M20	134	C1
32-250/110/P	32	50	100	490	540	1067	840	1250	205	75	280	225	520	M20	181	C2
40-125/11/S	40	65	80	350	390	746	600	900	150	60	212	140	352	M16	70	A2
40-125/15/P	40	65	80	350	390	791	600	900	150	60	212	140	352	M16	74	A3
40-125/22/P	40	65	80	350	390	791	600	900	150	60	212	140	352	M16	77	A3
40-160/30/P	40	65	80	350	390	822	600	900	150	60	232	160	392	M16	92	B1
40-160/40/P	40	65	80	350	390	825	600	900	150	60	232	160	400	M16	96	B1
40-200/55/P	40	65	100	400	450	910	660	1000	170	60	260	180	451	M20	123	C1
40-200/75/P	40	65	100	400	450	910	660	1000	170	60	260	180	451	M20	128	C1
40-250/110A/P	40	65	100	490	540	1067	840	1250	205	75	280	225	520	M20	167	C2
40-250/110/P	40	65	100	490	540	1067	840	1250	205	75	280	225	520	M20	170	C2
40-250/150/P	40	65	100	490	540	1067	840	1250	205	75	280	225	520	M20	175	C2
50-125/22/P	50	65	100	350	390	811	600	900	150	60	232	160	392	M16	84	A3
50-125/30/P	50	65	100	350	390	842	600	900	150	60	232	160	392	M16	92	B1
50-125/40/P	50	65	100	350	390	845	600	900	150	60	232	160	400	M16	95	B1
50-160/55/P	50	65	100	400	450	910	660	1000	170	60	260	180	451	M20	120	C1
50-160/75/P	50	65	100	400	450	910	660	1000	170	60	260	180	451	M20	122	C1
50-200/110A/P	50	65	100	440	490	1067	740	1120	190	60	260	200	500	M20	145	C2
50-200/110/P	50	65	100	440	490	1067	740	1120	190	60	260	200	500	M20	150	C2
50-250/150/P	50	65	100	490	540	1067	840	1250	205	75	280	225	520	M20	165	C2
50-250/185/P	50	65	100	490	540	1067	840	1250	205	75	280	225	520	M20	170	C2
50-250/220/W	50	65	100	490	540	1127	840	1250	205	75	280	225	559	M20	246	D1
65-160/40/P	65	80	100	400	450	845	660	1000	170	75	260	200	460	M20	133	B1
65-160/55/P	65	80	100	440	490	910	740	1120	190	75	260	200	460	M20	155	C1
65-160/75/P	65	80	100	440	490	910	740	1120	190	75	260	200	460	M20	159	C1
65-160/110A/P	65	80	100	490	540	1067	840	1250	205	75	260	200	500	M20	162	C2
65-160/110/P	65	80	100	490	540	1067	840	1250	205	75	260	200	500	M20	162	C2
65-200/150/P	65	80	100	490	540	1067	840	1250	205	75	280	225	520	M20	185	C2
65-200/185/P	65	80	100	490	540	1067	840	1250	205	75	280	225	520	M20	190	C2
65-200/220/W	65	80	100	490	540	1127	840	1250	205	75	280	225	559	M20	274	D1
65-250/300/W	65	80	100	550	610	1340	940	1400	230	90	310	250	627	M24	367	E1
65-250/370/W	65	80	100	550	610	1340	940	1400	230	90	310	250	627	M24	403	E1
80-160/110/P	80	100	125	490	540	1092	840	1250	205	75	280	225	520	M20	198	C2
80-160/150/P	80	100	125	490	540	1092	840	1250	205	75	280	225	520	M20	209	C2
80-160/185/P	80	100	125	490	540	1092	840	1250	205	75	280	225	520	M20	220	C2
80-200/220/W	80	100	125	490	540	1262	840	1250	205	75	280	250	559	M20	302	D2
80-200/300/W	80	100	125	550	610	1365	940	1400	230	75	310	250	627	M24	373	E1
80-200/370/W	80	100	125	550	610	1365	940	1400	230	75	310	250	627	M24	402	E1
80-250/450/W	80	100	125	550	610	1454	940	1400	230	90	365	280	749	M24	501	E1
80-250/550/W	80	100	125	600	660	1563	1060	1600	270	90	390	280	792	M24	582	F1
80-250/750/W	80	100	125	670	730	1670	1200	1800	300	90	420	280	892	M24	700	G1

ESHF SERIES
DIMENSIONS AND WEIGHTS AT 50 Hz, 4 POLES



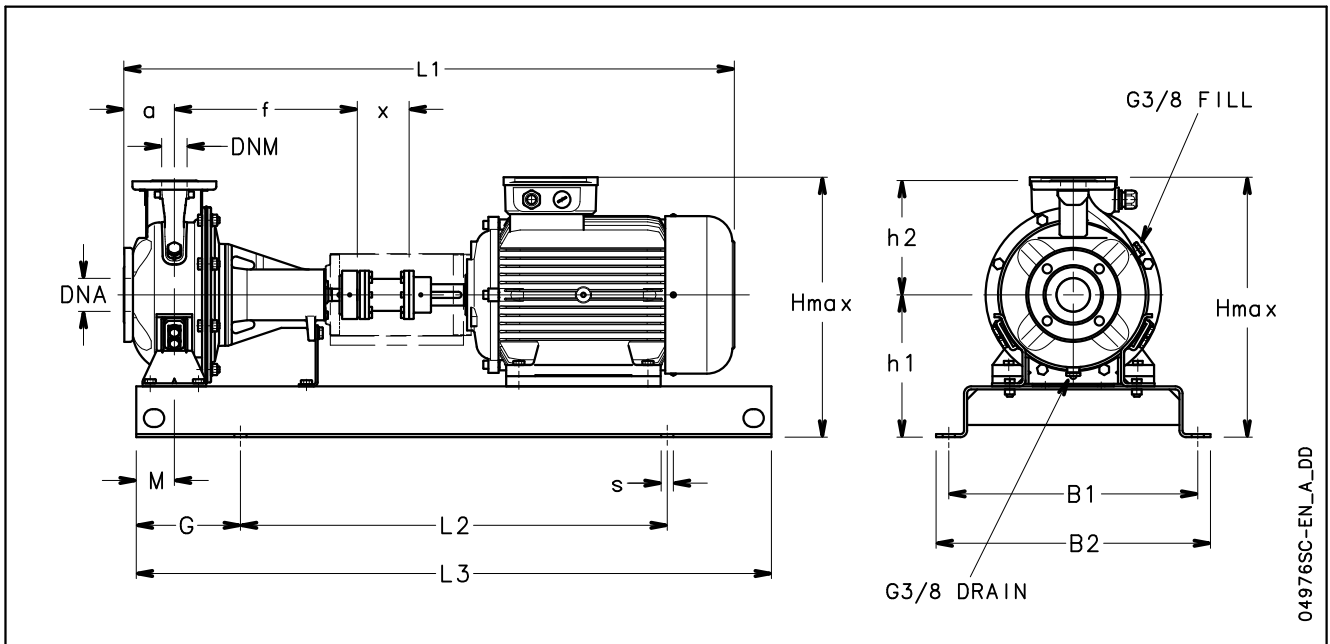
04977D-EN_B_DD

ESHF SERIES DIMENSIONS AND WEIGHTS AT 50 Hz, 4 POLES

PUMP TYPE ESHF..4	DIMENSIONS (mm)													s FOR SCREWS	WEIGHT kg	COUPLING TYPE
	DNM	DNA	a	B1	B2	L1	L2	L3	G	M	h1	h2	Hmax			
25-125/02A/S	25	50	80	320	360	704	540	800	130	60	212	140	352	M16	72	A1
25-125/02/S	25	50	80	320	360	704	540	800	130	60	212	140	352	M16	72	A1
25-160/02A/S	25	50	80	320	360	704	540	800	130	60	232	160	392	M16	74	A1
25-160/02/S	25	50	80	320	360	704	540	800	130	60	232	160	392	M16	74	A1
25-200/03/S	25	50	80	320	360	704	540	800	130	60	260	180	440	M16	78	A1
25-200/05/S	25	50	80	320	360	746	540	800	130	60	260	180	440	M16	80	A2
25-250/07/X	25	50	100	400	450	734	660	1000	170	75	280	225	505	M20	98	A2
25-250/11/P	25	50	100	400	450	811	660	1000	170	75	280	225	505	M20	106	A3
25-250/15/P	25	50	100	400	450	811	660	1000	170	75	280	225	505	M20	108	A3
32-125/02A/S	32	50	80	320	360	704	540	800	130	60	212	140	352	M16	72	A1
32-125/02/S	32	50	80	320	360	704	540	800	130	60	212	140	352	M16	72	A1
32-160/02A/S	32	50	80	320	360	704	540	800	130	60	232	160	392	M16	74	A1
32-160/02/S	32	50	80	320	360	704	540	800	130	60	232	160	392	M16	74	A1
32-200/03/S	32	50	80	320	360	704	540	800	130	60	260	180	440	M16	78	A1
32-200/05/S	32	50	80	320	360	746	540	800	130	60	260	180	440	M16	80	A2
32-250/07/X	32	50	100	400	450	734	660	1000	170	75	280	225	505	M20	98	A2
32-250/11/P	32	50	100	400	450	811	660	1000	170	75	280	225	505	M20	106	A3
32-250/15/P	32	50	100	400	450	811	660	1000	170	75	280	225	505	M20	108	A3
40-125/02A/S	40	65	80	320	360	704	540	800	130	60	212	140	352	M16	57	A1
40-125/02/S	40	65	80	320	360	704	540	800	130	60	212	140	352	M16	57	A1
40-160/03/S	40	65	80	320	360	704	540	800	130	60	232	160	392	M16	60	A1
40-160/05/S	40	65	80	320	360	746	540	800	130	60	232	160	392	M16	62	A2
40-200/07/X	40	65	100	350	390	734	600	900	150	60	260	180	440	M16	70	A2
40-200/11/P	40	65	100	350	390	811	600	900	150	60	260	180	440	M16	78	A3
40-250/11/P	40	65	100	400	450	811	660	1000	170	75	280	225	505	M20	105	A3
40-250/15/P	40	65	100	400	450	811	660	1000	170	75	280	225	505	M20	108	A3
40-250/22/P	40	65	100	400	450	888	660	1000	170	75	280	225	505	M20	131	B1
50-125/02/S	50	65	100	320	360	724	540	800	130	60	232	160	392	M16	59	A1
50-125/03/S	50	65	100	320	360	724	540	800	130	60	232	160	392	M16	59	A1
50-125/05/S	50	65	100	320	360	766	540	800	130	60	232	160	392	M16	61	A2
50-160/07/X	50	65	100	350	390	734	600	900	150	60	260	180	440	M16	69	A2
50-160/11/P	50	65	100	350	390	811	600	900	150	60	260	180	440	M16	77	A3
50-200/11/P	50	65	100	350	390	811	600	900	150	60	260	200	460	M16	88	A3
50-200/15/P	50	65	100	350	390	811	600	900	150	60	260	200	460	M16	91	A3
50-250/22A/P	50	65	100	400	450	888	660	1000	170	75	280	225	505	M20	132	B1
50-250/22/P	50	65	100	400	450	888	660	1000	170	75	280	225	505	M20	132	B1
50-250/30/P	50	65	100	400	450	888	660	1000	170	75	280	225	505	M20	136	B1
65-200/15/P	65	80	100	400	450	811	660	1000	170	75	280	225	505	M20	109	A3
65-200/22/P	65	80	100	440	490	888	740	1120	190	75	280	225	505	M20	133	B1
65-200/30/P	65	80	100	440	490	888	740	1120	190	75	280	225	505	M20	137	B1
65-250/40/P	65	80	100	440	490	1031	740	1120	190	90	310	250	550	M20	178	C3
65-250/55/P	65	80	100	440	490	1058	740	1120	190	90	310	250	550	M20	193	C4
80-160/15/P	80	100	125	400	450	836	660	1000	170	75	280	225	505	M20	127	A3
80-160/22A/P	80	100	125	440	490	913	740	1120	190	75	280	225	505	M20	143	B1
80-160/22/P	80	100	125	440	490	913	740	1120	190	75	280	225	505	M20	143	B1
80-200/30/P	80	100	125	440	490	1023	740	1120	190	75	280	250	530	M20	162	C3
80-200/40/P	80	100	125	440	490	1056	740	1120	190	75	280	250	530	M20	171	C3
80-250/55/P	80	100	125	490	540	1083	840	1250	205	90	310	280	590	M20	194	C4
80-250/75/P	80	100	125	490	540	1083	840	1250	205	90	310	280	590	M20	198	C4
80-250/110/P	80	100	125	490	540	1202	840	1250	205	90	310	280	590	M20	256	C5

ESHF_4p50-en_a_td

**ESHC SERIES
DIMENSIONS AND WEIGHTS AT 50 Hz, 2 POLES**



ESHC SERIES DIMENSIONS AND WEIGHTS AT 50 Hz, 2 POLES

PUMP TYPE ESHC..2	DIMENSIONS (mm)															s FOR SCREWS	WEIGHT kg	COUPLING TYPE
	DNM	DNA	a	B1	B2	L1	L2	L3	G	M	h1	h2	Hmax	f	x			
32-125/07/S	32	50	80	320	360	845	540	800	130	60	212	140	352	360	100	M16	69	A2S
32-125/11/S	32	50	80	320	360	845	540	800	130	60	212	140	352	360	100	M16	71	A2S
32-160/15/P	32	50	80	350	390	889	600	900	150	60	232	160	392	360	100	M16	75	A3S
32-160/22/P	32	50	80	350	390	889	600	900	150	60	232	160	392	360	100	M16	77	A3S
32-200/30/P	32	50	80	350	390	920	600	900	150	60	260	180	440	360	100	M16	97	B1S
32-200/40/P	32	50	80	350	390	923	600	900	150	60	260	180	440	360	100	M16	99	B1S
32-250/55/P	32	50	100	440	490	1007	740	1120	190	75	280	225	505	360	100	M20	132	C1S
32-250/75/P	32	50	100	440	490	1007	740	1120	190	75	280	225	505	360	100	M20	136	C1S
32-250/110/P	32	50	100	490	540	1164	840	1250	205	75	280	225	520	360	100	M20	183	C2S
40-125/11/S	40	65	80	350	390	845	600	900	150	60	212	140	352	360	100	M16	72	A2S
40-125/15/P	40	65	80	350	390	889	600	900	150	60	212	140	352	360	100	M16	76	A3S
40-125/22/P	40	65	80	350	390	889	600	900	150	60	212	140	352	360	100	M16	79	A3S
40-160/30/P	40	65	80	350	390	920	600	900	150	60	232	160	392	360	100	M16	94	B1S
40-160/40/P	40	65	80	350	390	923	600	900	150	60	232	160	400	360	100	M16	98	B1S
40-200/55/P	40	65	100	400	450	1007	660	1000	170	60	260	180	451	360	100	M20	125	C1S
40-200/75/P	40	65	100	400	450	1007	660	1000	170	60	260	180	451	360	100	M20	130	C1S
40-250/110A/P	40	65	100	490	540	1164	840	1250	205	75	280	225	520	360	100	M20	169	C2S
40-250/110/P	40	65	100	490	540	1164	840	1250	205	75	280	225	520	360	100	M20	172	C2S
40-250/150/P	40	65	100	490	540	1164	840	1250	205	75	280	225	520	360	100	M20	177	C2S
50-125/22/P	50	65	100	350	390	909	600	900	150	60	232	160	392	360	100	M16	86	A3S
50-125/30/P	50	65	100	350	390	940	600	900	150	60	232	160	392	360	100	M16	94	B1S
50-125/40/P	50	65	100	350	390	943	600	900	150	60	232	160	400	360	100	M16	97	B1S
50-160/55/P	50	65	100	400	450	1007	660	1000	170	60	260	180	451	360	100	M20	122	C1S
50-160/75/P	50	65	100	400	450	1007	660	1000	170	60	260	180	451	360	100	M20	124	C1S
50-200/110A/P	50	65	100	440	490	1164	740	1120	190	60	260	200	500	360	100	M20	147	C2S
50-200/110/P	50	65	100	440	490	1164	740	1120	190	60	260	200	500	360	100	M20	152	C2S
50-250/150/P	50	65	100	490	540	1164	840	1250	205	75	280	225	520	360	100	M20	167	C2S
50-250/185/P	50	65	100	490	540	1164	840	1250	205	75	280	225	520	360	100	M20	172	C2S
50-250/220/W	50	65	100	490	540	1224	840	1250	205	75	280	225	559	360	100	M20	248	D1S
65-160/40/P	65	80	100	400	450	943	660	1000	170	75	260	200	460	360	100	M20	135	B1S
65-160/55/P	65	80	100	440	490	1007	740	1120	190	75	260	200	460	360	100	M20	157	C1S
65-160/75/P	65	80	100	440	490	1007	740	1120	190	75	260	200	460	360	100	M20	161	C1S
65-160/110A/P	65	80	100	490	540	1164	840	1250	205	75	260	200	500	360	100	M20	164	C2S
65-160/110/P	65	80	100	490	540	1164	840	1250	205	75	260	200	500	360	100	M20	164	C2S
65-200/150/P	65	80	100	490	540	1164	840	1250	205	75	280	225	520	360	100	M20	187	C2S
65-200/185/P	65	80	100	490	540	1164	840	1250	205	75	280	225	520	360	100	M20	192	C2S
65-200/220/W	65	80	100	490	540	1224	840	1250	205	75	280	225	559	360	100	M20	276	D1S
65-250/300/W	65	80	100	550	610	1477	940	1400	230	90	310	250	627	470	140	M24	370	E1S
65-250/370/W	65	80	100	550	610	1477	940	1400	230	90	310	250	627	470	140	M24	406	E1S
80-160/110/P	80	100	125	490	540	1189	840	1250	205	75	280	225	520	360	100	M20	200	C2S
80-160/150/P	80	100	125	490	540	1189	840	1250	205	75	280	225	520	360	100	M20	211	C2S
80-160/185/P	80	100	125	490	540	1189	840	1250	205	75	280	225	520	360	100	M20	222	C2S
80-200/220/W	80	100	125	490	540	1359	840	1250	205	75	280	250	559	470	100	M20	304	D2S
80-200/300/W	80	100	125	550	610	1502	940	1400	230	75	310	250	627	470	140	M24	376	E1S
80-200/370/W	80	100	125	550	610	1502	940	1400	230	75	310	250	627	470	140	M24	405	E1S
80-250/450/W	80	100	125	550	610	1591	940	1400	230	90	365	280	749	470	140	M24	504	E1S
80-250/550/W	80	100	125	600	660	1700	1060	1600	270	90	390	280	792	470	140	M24	587	F1S
80-250/750/W	80	100	125	670	730	1807	1200	1800	300	90	420	280	892	470	140	M24	706	G1S

ESH..H

(ESH WITH HYDROVAR)

ESH..H SERIES (ESH WITH HYDROVAR)

Background and context

In all areas of application, such as building services, industry, agriculture and air-handling, the demand for intelligent pumping systems is constantly growing. There are many advantages: reduced cost for pump life cycle, lower environmental impact, longer lifetime of pipes and unions. That's why Lowara has developed the ESH..H: an intelligent pumping system which assures high level performance with energy consumption tailored to demand.

Benefits of NSC with HYDROVAR

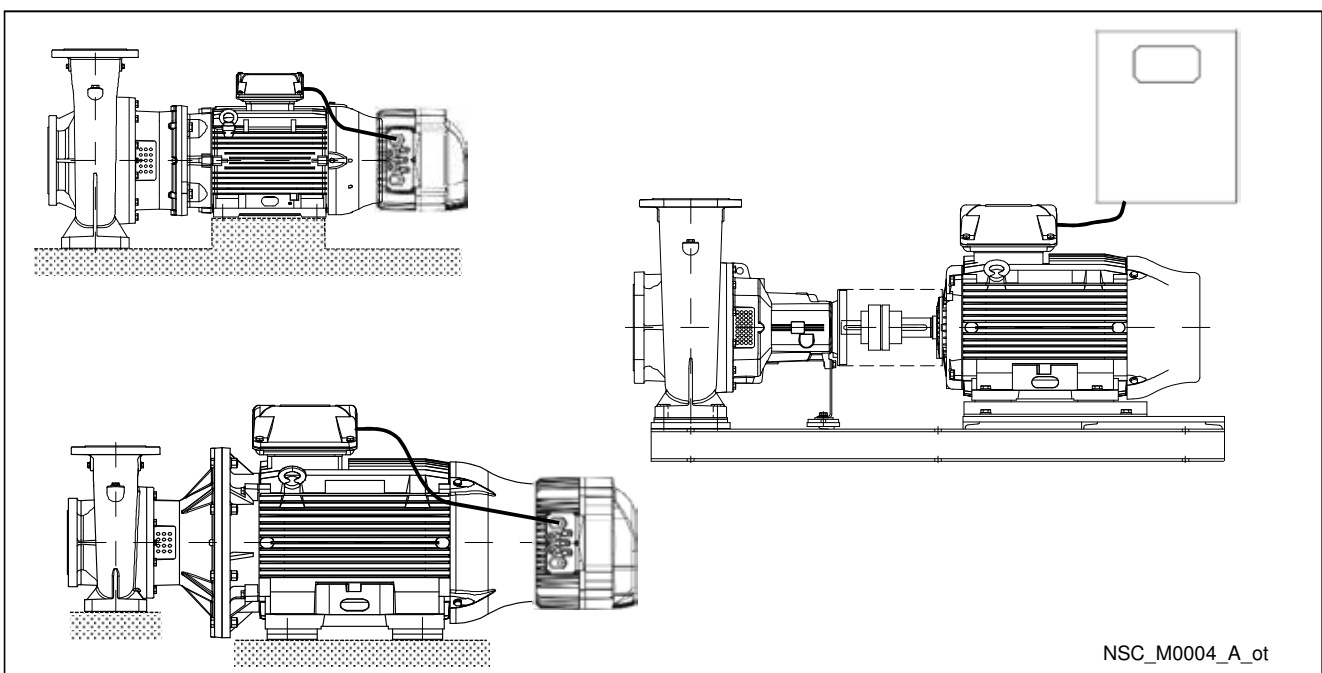
Saving: ESH..H transforms ESH pumps into variable speed intelligent pumping systems. Thanks to the HYDROVAR system, the speed of each pump varies so as to maintain a constant flow or pressure or differential pressure. The pump only receives the energy required, thus allowing considerable savings, especially for those systems in which demands varies during the day.

Easy installation and space-saving: ESH..H saves time and space during installation. Installed directly on the motor (up to 22 kW), which cools it down, and does not require a further control panel. , only fuses on the supply line (will depend upon any local electrical installation regulations). The wall-mounted HYDROVAR version is available for higher power outputs (up to 45 kW).

Standard motors: ESH..H models are fitted with three-phase standard TEFC motors with insulation class 155 (F).

Special features / benefits

- **There is no need for additional pressure sensors:** ESH..H are fitted with a pressure transmitter or differential pressure transmitters, depending on the application.
- **There is no need for special pumps or motors.**
- **There is no need for bypass or safety systems:** with HYDROVAR the pump immediately switches off when demand drops to zero or when it exceeds maximum pump capacity. This makes it unnecessary to install additional safety devices.
- **Anti-condensation device:** all units are fitted with anti-condensation devices which switch on when the pump is in standby in order to prevent condensation forming in the unit.



ESH..H SERIES (ESH WITH HYDROVAR)

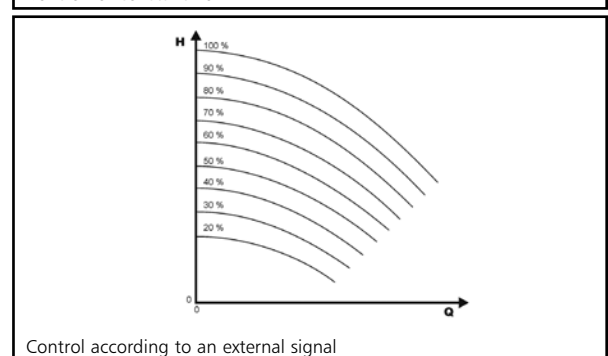
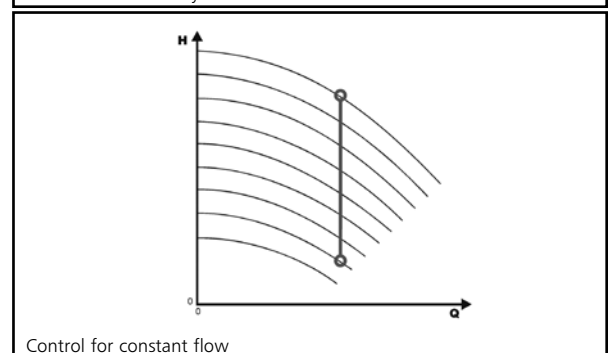
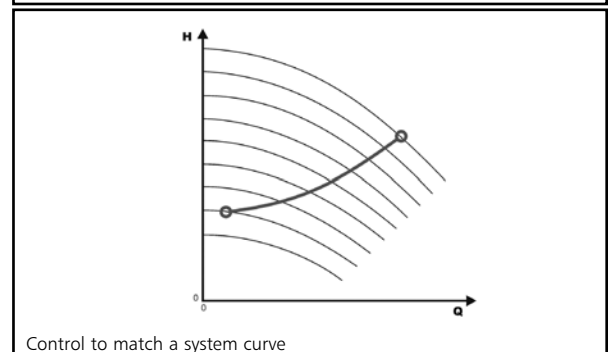
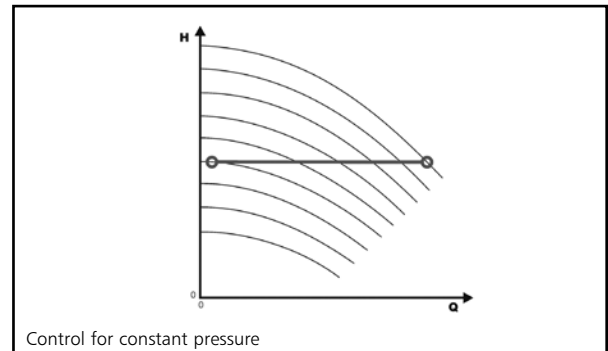
The basic function of the HYDROVAR device is to control the pump to meet the system demands.

HYDROVAR performs these functions by:

- 1) Measuring the system pressure or flow via a transmitter mounted on the pump's delivery side.
- 2) Calculating the motor speed to maintain the correct flow or pressure.
- 3) Sending out a signal to the pump to start the motor, increase speed, decrease speed or stop.
- 4) In the case of multiple pump installations, HYDROVAR will automatically provide for the cyclic changeover of the pumps' starting sequence.

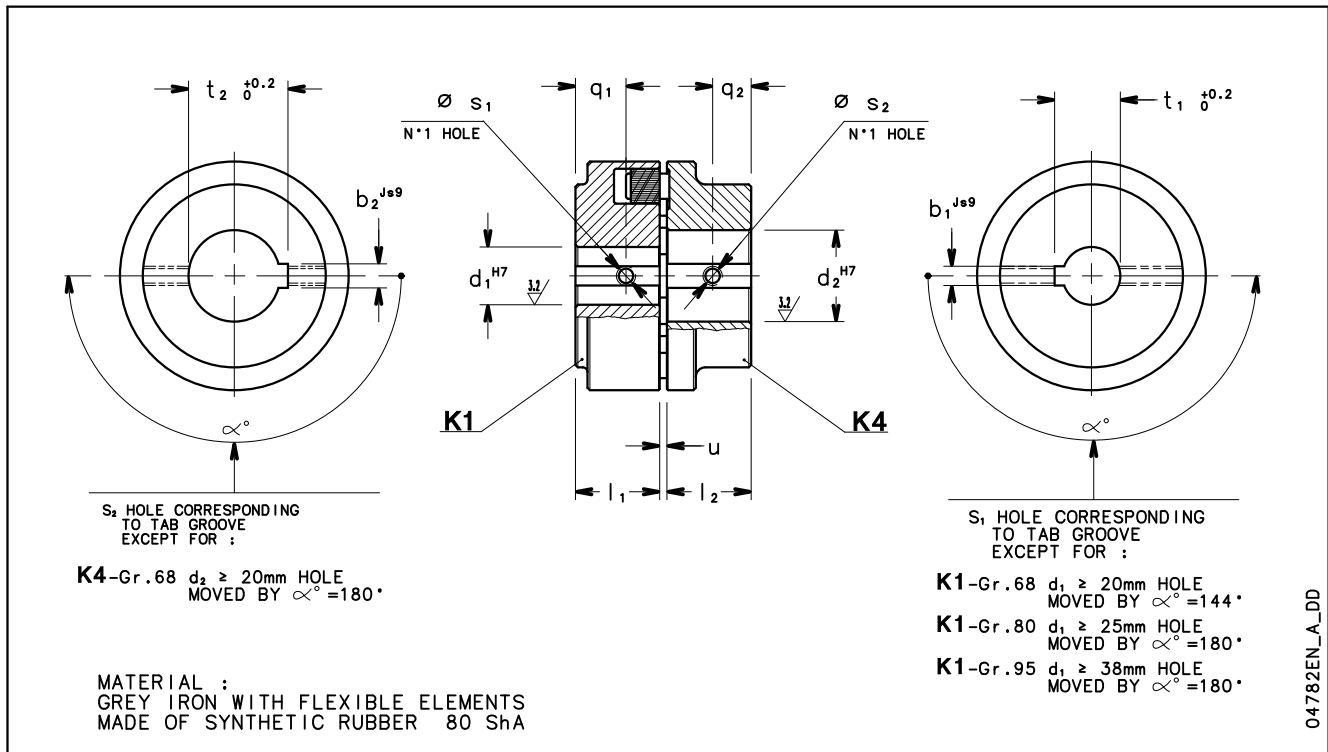
In addition to these basic functions, HYDROVAR can do things only by the most advanced computerised control systems, such as:

- Stop the pump(s) at zero demand.
- Stop the pump(s) in case of water failure on the suction side (protection against dry running).
- Stop the pump if the required delivery exceeds the pump's capacity (protection against cavitation caused by excessive demand), or automatically switch on the next pump in a multiple series.
- Protect the pump and motor from overvoltage, undervoltage, overload and earth fault.
- Vary the pump speed acceleration and deceleration time.
- Compensate for increased flow resistance at high flow rates.
- Conduct automatic test starts at set intervals.
- Monitor the converter and motor operating hours.
- Display all functions on an LCD in different languages (Italian, English, French, German, Spanish, Portuguese, Dutch).
- Send a signal to a remote control system which is proportional to the pressure and frequency.
- Communicate with another HYDROVAR or control system via an RS 485 interface.



ACCESSORIES

FLEXIBLE COUPLING DIMENSIONS

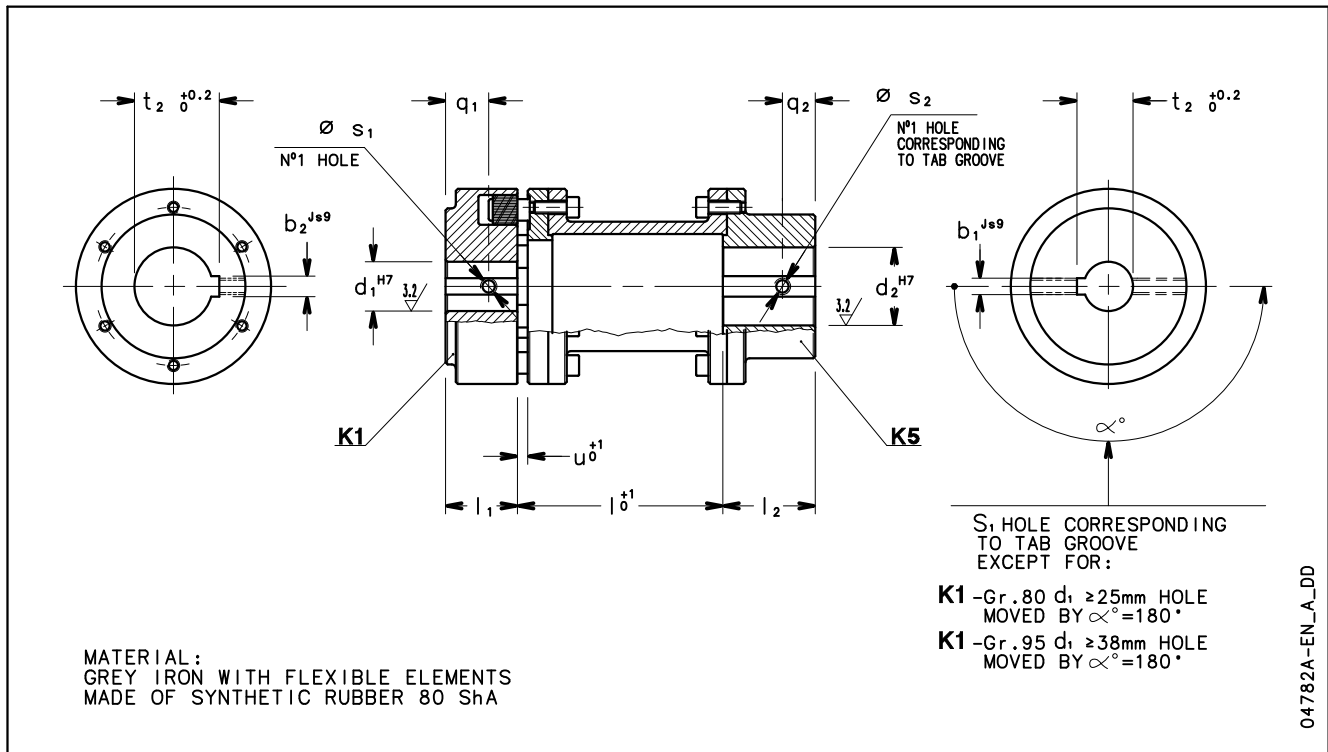


REF.	DENOMINATION	DIMENSIONS (mm)												
		K1 PUMP-SIDE HALF COUPLING						K4 MOTOR-SIDE HALF COUPLING						
		SIZE x d ₁ x d ₂	d ₁ ^{H7}	l ₁	b ₁ ^{js9}	t _{1 0} ^{+0.2}	s ₁	q ₁	u	d ₂ ^{H7}	l ₂	b ₂ ^{js9}	t _{2 0} ^{+0.2}	s ₂
A1	B 68 x 24 x 14	24	20	8	27,3	M6	10	2 ÷ 4	14	20	5	16,3	M6	8
A2	B 68 x 24 x 19	24	20	8	27,3	M6	10	2 ÷ 4	19	20	6	21,8	M6	8
A3	B 68 x 24 x 24	24	20	8	27,3	M6	10	2 ÷ 4	24	20	8	27,3	M6	8
B1	B 80 x 24 x 28	24	30	8	27,3	M6	19	2 ÷ 4	28	30	8	31,3	M6	12
C1	B 95 x 24 x 38	24	35	8	27,3	M6	20	2 ÷ 4	38	35	10	41,3	M6	15
C2	B 95 x 24 x 42	24	35	8	27,3	M6	20	2 ÷ 4	42	35	12	45,3	M6	15
C3	B 95 x 32 x 28	32	35	10	35,3	M6	20	2 ÷ 4	28	35	8	31,3	M6	15
C4	B 95 x 32 x 38	32	35	10	35,3	M6	20	2 ÷ 4	38	35	10	41,3	M6	15
C5	B 95 x 32 x 42	32	35	10	35,3	M6	20	2 ÷ 4	42	35	12	45,3	M6	15
D1	B 110 x 24 x 48	24	40	8	27,3	M6	22	2 ÷ 4	48	40	14	51,8	M6	18
D2	B 110 x 32 x 48	32	40	10	35,3	M6	22	2 ÷ 4	48	40	14	51,8	M6	18
E1	B 125 x 32 x 55	32	50	10	35,3	M8	30	2 ÷ 4	55	50	16	59,3	M8	20
F1	B 140 x 32 x 60	32	55	10	35,3	M8	13	2 ÷ 4	60	55	18	64,4	M8	22
G1	B 160 x 32 x 65	32	60	10	35,3	M10	13	2 ÷ 6	65	60	18	69,4	M10	25

N.B.: Non-ATEX version.

shf-giunto-elastico-en_c_td

SPACER COUPLING DIMENSIONS



REF.	DENOMINATION	DIMENSIONS (mm)													
		K1							K5						
		PUMP-SIDE HALF COUPLING							MOTOR-SIDE HALF COUPLING						
SIXE x l x d ₁ x d ₂	l ₀ ⁺¹	d ₁ ^{H7}	l ₁	b ₁ ^{js9}	t _{1 0} ^{+0.2}	s ₁	q ₁	u	d ₂ ^{H7}	l ₂	b ₂ ^{js9}	t _{2 0} ^{+0.2}	s ₂	q ₂	
A2S	H 80-100 x 24 x 19	100	24	30	8	27,3	M6	19	5	19	45	6	21,8	M6	15
A3S	H 80-100 x 24 x 24	100	24	30	8	27,3	M6	19	5	24	45	8	27,3	M6	15
B1S	H 80-100 x 24 x 28	100	24	30	8	27,3	M6	19	5	28	45	8	31,3	M6	15
C1S	H 95-100 x 24 x 38	100	24	35	8	27,3	M6	20	5	38	45	10	41,3	M6	20
C2S	H 95-100 x 24 x 42	100	24	35	8	27,3	M6	20	5	42	45	12	45,3	M6	20
D1S	H 110-100 x 24 x 48	100	24	40	8	27,3	M6	22	5	48	50	14	51,8	M6	25
D2S	H 110-100 x 32 x 48	100	32	40	10	35,3	M6	22	5	48	50	14	51,8	M6	25
E1S	H 125-140 x 32 x 55	140	32	50	10	35,3	M8	30	5	55	50	16	59,3	M8	25
F1S	H 140-140 x 32 x 60	140	32	55	10	35,3	M8	13	5	60	65	18	64,4	M8	30
G1S	H 160-140 x 32 x 65	140	32	60	10	35,3	M10	13	6	65	70	18	69,4	M10	35

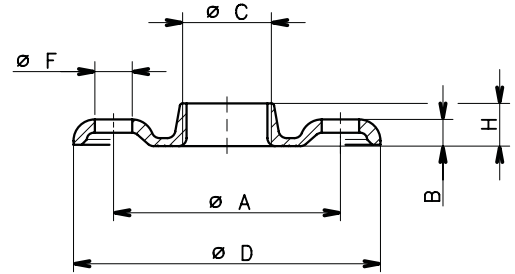
N.B.: Non-ATEX version.

sh-giunto-elastico-con-sp-en_c_td

DIMENSIONS OF ROUND THREADED COUNTERFLANGES ACCORDING TO EN 1092-1

DN	ø C	DIMENSIONS (mm)				HOLES			PN
		ø A	B	ø D	H	ø F	N°		
25	Rp 1	85	10	115	16	14	4	16	
32	Rp 1¼	100	13	140	16	18	4	16	
40	Rp 1½	110	14	150	19	18	4	16	
50	Rp 2	125	16	165	24	18	4	16	
65	Rp 2½	145	16	185	23	18	4	16	
80	Rp 3	160	17	200	27	18	8	16	
100	Rp 4	180	18	220	31	18	8	16	

sh-ctf-tonde-f-en_b_td

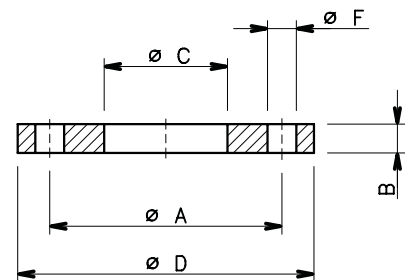


04430_B_DD

DIMENSIONS OF ROUND WELD-ON COUNTERFLANGES ACCORDING TO EN 1092-1

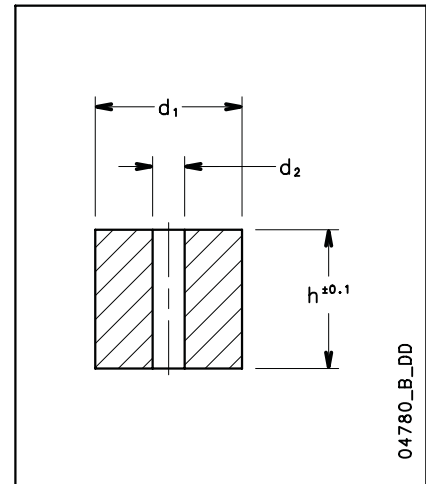
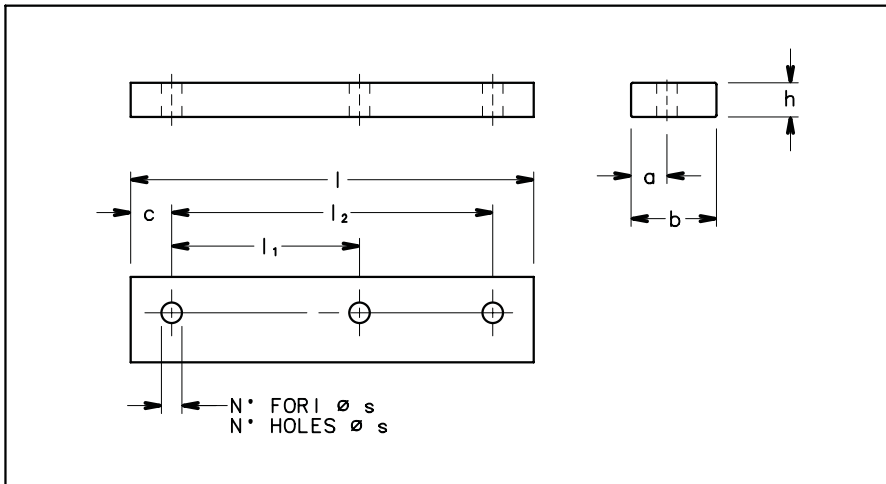
DN	ø C	DIMENSIONS (mm)			HOLES			PN
		ø A	B	ø D	ø F	N°		
65	77	145	18	185	18	4	16	
80	90	160	20	200	18	8	16	
100	115,5	180	22	220	18	8	16	

sh-ctf-tonde-s-en_b_td



04431_A_DD

ESH SERIES SHIM FOR MOTOR FEET

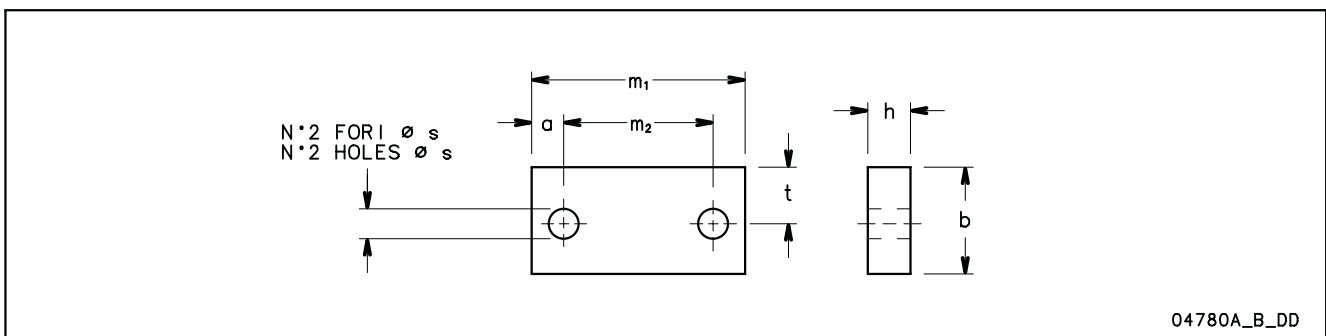


DENOMINATION			DIMENSIONS (mm)				HOLES			
b	x	h	x	l	a	l ₁	l ₂	c	N°	ø s
35	20	125	17	100	-	12,5	2	10		
40	10	155	20	100	125	15	3	10		
40	12	155	20	100	125	15	3	10		
40	12	180	17	140	-	20	2	14		
40	20	180	17	140	-	20	2	14		
40	30	155	20	100	125	15	3	10		
40	40	180	17	140	-	20	2	14		
50	8	226	21	140	178	24	3	14		
50	20	226	21	140	178	24	3	14		
50	20	304	25	210	254	25	3	14		
50	30	304	25	210	254	25	3	14		
100	30	467	50	311	349	59	3	22		

DENOMINATION			DIMENSIONS (mm)	
d ₁	x	h	d ₂	
45	41	10		
45	61	10		
45	89	10		
55	52	12		
55	70	12		
55	80	12		
55	90	12		
55	100	12		
65	60	16		
65	68	16		
65	78	16		
65	80	16		
65	88	16		

sp-mot-shs-shf-en_d_td

SHIM FOR PUMP FEET (ESHF)



DESIGNATION			DIMENSIONS (mm)					
b	x	h	x	m ₁	a	m ₂	ø s	t
40	10	160	25	110	14	16,5		
40	20	160	25	110	14	16,5		
40	25	160	25	110	14	16,5		
40	30	160	25	110	14	16,5		
70	20	125	15	95	14	37,5		
80	10	160	20	120	18	42,5		
80	25	160	20	120	18	42,5		
80	30	160	20	120	18	42,5		

sp-pompa-shf-en_b_td

REPORTS AND DECLARATIONS

REPORTS AND DECLARATIONS

i) Test reports

- a) **Factory Test Report** (Lowara identity code: 1A)
(not available for all pump types; contact Customer Service in advance)
- Test report compiled at the end of the assembly line, including flow-head performance test (ISO 9906:2012 – Grade 3B) and tightness test.
- b) **Audit Test Report** (Lowara identity code: 1B)
- Test report for electric pumps compiled in the test room, comprising flow-head-pump input-pump efficiency performance test (ISO 9906:2012 – Grade 3B)
- c) **NPSH Test Report** (Lowara identity code: 1A / CTF-NP)
(unavailable for submerged or submergible pumps)
- Test report for electric pumps compiled in the test room, comprising flow-NPSH performance test (ISO 9906:2012 – Grade 3B)
- d) **Noise Test Report** (Lowara identity code: 1A / CTF-RM)
(unavailable for submerged pumps)
- Report indicating sound pressure and power measurements (EN ISO 20361, EN ISO 11203, EN ISO 4871) using the
• intensimetric (EN ISO 9614-1, EN ISO 9614-2), or
• phonometric method.
- e) **Vibration Test Report**
(unavailable for submerged or submergible pumps)
- Report indicating vibration measurements (ISO 10816-1)

ii) Declaration of product conformity with the technical requirements indicated in the order

- a) **EN 10204:2004 - type 2.1** (Lowara identity code: CTF-21)
- does not include test results on supplied or similar products.
- b) **EN 10204:2004 - type 2.2** (Lowara identity code: CTF-22)
- includes test results (materials certificates) on similar products.
- c) **EN 10204:2004 - type 3.1** (Lowara identity code: 1A / CTF-31 or 1B / CTF-31)
- includes test report (*Factory Test Report* or *Audit Test Report*), list of materials, EC Declaration of Conformity (in addition to the one accompanying the product), certificates / declarations concerning materials in contact with water.

iii) Issue of a further EC Declaration of Conformity,

- in addition to the one accompanying the product, it comprises references to European law and the main technical standards (e.g.: MD 2006/42/EC, EMCD 2004/108/EC, ErP 2009/125/EC).

N.B.: if the request is made after receipt of the product, communicate the code (name) and serial number (date + progressive number).

iv) Manufacturer's declaration of conformity

- relative to one of more types of products without indicating specific codes and serial numbers.

v) Other certificates and/or documentation on request

- subject to availability or feasibility.

vi) Duplication of certificates and/or documentation on request

- subject to availability or feasibility.

TECHNICAL APPENDIX

ESH SERIES TYPICAL APPLICATIONS

Water Purification:

De-ionized water
Water Treatment
Filtration
Commercial Pools

Food and Drink:

Food processing
Bottle washing
Citrus Processing
Dish washing
Brewing
Sanitary ware

Medical:

Laser cooling
Medical chillers
Sanitary equipment

Heating, Ventilating & Air Conditioning (HVAC)

Condensate return
Air scrubbers
Water re-circulation
Cooling towers
Cooling systems
Temperature control
Chillaer
Induction heating
Heat exchangers
Water heating
Booster packages

Graphics:

Film washing
Cooling of presses

Plastics:

Extrusion machines
Temperature control
Manufacture of polymers

Waste Management:

Waste treatment
Pollution control

Machine Tools:

Degreasing
Parts washing
Machine centres
Chemical treatment
Heat treatment

Vehicle Maintenance:

Car washing
Lorry or Truck wash
Wheel or tyre washing
Airplane washing

Marine:

Water on board ships
Boat design (wave machines)

Agriculture:

Irrigation
Greenhouses
Poultry Washing
Cotton humidifiers

Computers:

Washing of circuit boards

Laundry:

Commercial washing

General Industry:

Spray Booths
Light chemical transfer
Booster systems
Fire fighting

NPSH

The minimum operating values that can be reached at the pump suction end are limited by the onset of cavitation.

Cavitation is the formation of vapour-filled cavities within liquids where the pressure is locally reduced to a critical value, or where the local pressure is equal to, or just below the vapour pressure of the liquid.

The vapour-filled cavities flow with the current and when they reach a higher pressure area the vapour contained in the cavities condenses. The cavities collide, generating pressure waves that are transmitted to the walls. These, being subjected to stress cycles, gradually become deformed and yield due to fatigue. This phenomenon, characterized by a metallic noise produced by the hammering on the pipe walls, is called incipient cavitation.

The damage caused by cavitation may be magnified by electrochemical corrosion and a local rise in temperature due to the plastic deformation of the walls. The materials that offer the highest resistance to heat and corrosion are alloy steels, especially austenitic steel. The conditions that trigger cavitation may be assessed by calculating the total net suction head, referred to in technical literature with the acronym NPSH (Net Positive Suction Head).

The NPSH represents the total energy (expressed in m.) of the liquid measured at suction under conditions of incipient cavitation, excluding the vapour pressure (expressed in m.) that the liquid has at the pump inlet.

To find the static height h_z at which to install the machine under safe conditions, the following formula must be verified:

$$h_p + h_z \geq (NPSH_r + 0.5) + h_f + h_{pv} \quad \textcircled{1}$$

where:

- h_p** is the absolute pressure applied to the free liquid surface in the suction tank, expressed in m. of liquid; h_p is the quotient between the barometric pressure and the specific weight of the liquid.
- h_z** is the suction lift between the pump axis and the free liquid surface in the suction tank, expressed in m.; h_z is negative when the liquid level is lower than the pump axis.
- h_f** is the flow resistance in the suction line and its accessories, such as: fittings, foot valve, gate valve, elbows, etc.
- h_{pv}** is the vapour pressure of the liquid at the operating temperature, expressed in m. of liquid. h_{pv} is the quotient between the P_v vapour pressure and the liquid's specific weight.
- 0,5** is the safety factor.

The maximum possible suction head for installation depends on the value of the atmospheric pressure (i.e. the elevation above sea level at which the pump is installed) and the temperature of the liquid.

To help the user, with reference to water temperature (4° C) and to the elevation above sea level, the following tables show the drop in hydraulic pressure head in relation to the elevation above sea level, and the suction loss in relation to temperature.

Water temperature (°C)	20	40	60	80	90	110	120
Suction loss (m)	0,2	0,7	2,0	5,0	7,4	15,4	21,5

Elevation above sea level (m)	500	1000	1500	2000	2500	3000
Suction loss (m)	0,55	1,1	1,65	2,2	2,75	3,3

Friction loss is shown in the tables at pages 111-112 of this catalogue. To reduce it to a minimum, especially in cases of high suction head (over 4-5 m.) or within the operating limits with high flow rates, we recommend using a suction line having a larger diameter than that of the pump's suction port. It is always a good idea to position the pump as close as possible to the liquid to be pumped.

Make the following calculation:

Liquid: water at ~15°C $\gamma = 1 \text{ kg/dm}^3$

Flow rate required: 25 m³/h

Head for required delivery: 70 m.

Suction lift: 3,5 m.

The selection is an 33SV3G075T pump whose NPSH required value is, at 25 m³/h, of 2 m.

For water at 15 °C

$$h_p = P_a / \gamma = 10,33\text{m}, h_{pv} = P_v / \gamma = 0,174\text{m} (0,01701 \text{ bar})$$

The H_f flow resistance in the suction line with foot valves is ~ 1,2 m.

By substituting the parameters in formula $\textcircled{1}$ with the numeric values above, we have:

$$10,33 + (-3,5) \geq (2 + 0,5) + 1,2 + 0,17$$

from which we have: 6,8 > 3,9

The relation is therefore verified.

VAPOUR PRESSURE
VAPOUR PRESSURE p_s AND ρ DENSITY OF WATER TABLE

t	T	p_s	ρ	t	T	p_s	ρ	t	T	p_s	ρ
°C	K	bar	kg/dm ³	°C	K	bar	kg/dm ³	°C	K	bar	kg/dm ³
0	273,15	0,00611	0,9998	55	328,15	0,15741	0,9857	120	393,15	1,9854	0,9429
1	274,15	0,00657	0,9999	56	329,15	0,16511	0,9852	122	395,15	2,1145	0,9412
2	275,15	0,00706	0,9999	57	330,15	0,17313	0,9846	124	397,15	2,2504	0,9396
3	276,15	0,00758	0,9999	58	331,15	0,18147	0,9842	126	399,15	2,3933	0,9379
4	277,15	0,00813	1,0000	59	332,15	0,19016	0,9837	128	401,15	2,5435	0,9362
5	278,15	0,00872	1,0000	60	333,15	0,1992	0,9832	130	403,15	2,7013	0,9346
6	279,15	0,00935	1,0000	61	334,15	0,2086	0,9826	132	405,15	2,867	0,9328
7	280,15	0,01001	0,9999	62	335,15	0,2184	0,9821	134	407,15	3,041	0,9311
8	281,15	0,01072	0,9999	63	336,15	0,2286	0,9816	136	409,15	3,223	0,9294
9	282,15	0,01147	0,9998	64	337,15	0,2391	0,9811	138	411,15	3,414	0,9276
10	283,15	0,01227	0,9997	65	338,15	0,2501	0,9805	140	413,15	3,614	0,9258
11	284,15	0,01312	0,9997	66	339,15	0,2615	0,9799	145	418,15	4,155	0,9214
12	285,15	0,01401	0,9996	67	340,15	0,2733	0,9793	155	428,15	5,433	0,9121
13	286,15	0,01497	0,9994	68	341,15	0,2856	0,9788	160	433,15	6,181	0,9073
14	287,15	0,01597	0,9993	69	342,15	0,2984	0,9782	165	438,15	7,008	0,9024
15	288,15	0,01704	0,9992	70	343,15	0,3116	0,9777	170	443,15	7,920	0,8973
16	289,15	0,01817	0,9990	71	344,15	0,3253	0,9770	175	448,15	8,924	0,8921
17	290,15	0,01936	0,9988	72	345,15	0,3396	0,9765	180	453,15	10,027	0,8869
18	291,15	0,02062	0,9987	73	346,15	0,3543	0,9760	185	458,15	11,233	0,8815
19	292,15	0,02196	0,9985	74	347,15	0,3696	0,9753	190	463,15	12,551	0,8760
20	293,15	0,02337	0,9983	75	348,15	0,3855	0,9748	195	468,15	13,987	0,8704
21	294,15	0,24850	0,9981	76	349,15	0,4019	0,9741	200	473,15	15,550	0,8647
22	295,15	0,02642	0,9978	77	350,15	0,4189	0,9735	205	478,15	17,243	0,8588
23	296,15	0,02808	0,9976	78	351,15	0,4365	0,9729	210	483,15	19,077	0,8528
24	297,15	0,02982	0,9974	79	352,15	0,4547	0,9723	215	488,15	21,060	0,8467
25	298,15	0,03166	0,9971	80	353,15	0,4736	0,9716	220	493,15	23,198	0,8403
26	299,15	0,03360	0,9968	81	354,15	0,4931	0,9710	225	498,15	25,501	0,8339
27	300,15	0,03564	0,9966	82	355,15	0,5133	0,9704	230	503,15	27,976	0,8273
28	301,15	0,03778	0,9963	83	356,15	0,5342	0,9697	235	508,15	30,632	0,8205
29	302,15	0,04004	0,9960	84	357,15	0,5557	0,9691	240	513,15	33,478	0,8136
30	303,15	0,04241	0,9957	85	358,15	0,5780	0,9684	245	518,15	36,523	0,8065
31	304,15	0,04491	0,9954	86	359,15	0,6011	0,9678	250	523,15	39,776	0,7992
32	305,15	0,04753	0,9951	87	360,15	0,6249	0,9671	255	528,15	43,246	0,7916
33	306,15	0,05029	0,9947	88	361,15	0,6495	0,9665	260	533,15	46,943	0,7839
34	307,15	0,05318	0,9944	89	362,15	0,6749	0,9658	265	538,15	50,877	0,7759
35	308,15	0,05622	0,9940	90	363,15	0,7011	0,9652	270	543,15	55,058	0,7678
36	309,15	0,05940	0,9937	91	364,15	0,7281	0,9644	275	548,15	59,496	0,7593
37	310,15	0,06274	0,9933	92	365,15	0,7561	0,9638	280	553,15	64,202	0,7505
38	311,15	0,06624	0,9930	93	366,15	0,7849	0,9630	285	558,15	69,186	0,7415
39	312,15	0,06991	0,9927	94	367,15	0,8146	0,9624	290	563,15	74,461	0,7321
40	313,15	0,07375	0,9923	95	368,15	0,8453	0,9616	295	568,15	80,037	0,7223
41	314,15	0,07777	0,9919	96	369,15	0,8769	0,9610	300	573,15	85,927	0,7122
42	315,15	0,08198	0,9915	97	370,15	0,9094	0,9602	305	578,15	92,144	0,7017
43	316,15	0,09639	0,9911	98	371,15	0,9430	0,9596	310	583,15	98,70	0,6906
44	317,15	0,09100	0,9907	99	372,15	0,9776	0,9586	315	588,15	105,61	0,6791
45	318,15	0,09582	0,9902	100	373,15	1,0133	0,9581	320	593,15	112,89	0,6669
46	319,15	0,10086	0,9898	102	375,15	1,0878	0,9567	325	598,15	120,56	0,6541
47	320,15	0,10612	0,9894	104	377,15	1,1668	0,9552	330	603,15	128,63	0,6404
48	321,15	0,11162	0,9889	106	379,15	1,2504	0,9537	340	613,15	146,05	0,6102
49	322,15	0,11736	0,9884	108	381,15	1,3390	0,9522	350	623,15	165,35	0,5743
50	323,15	0,12335	0,9880	110	383,15	1,4327	0,9507	360	633,15	186,75	0,5275
51	324,15	0,12961	0,9876	112	385,15	1,5316	0,9491	370	643,15	210,54	0,4518
52	325,15	0,13613	0,9871	114	387,15	1,6362	0,9476	374,15	647,30	221,20	0,3154
53	326,15	0,14293	0,9862	116	389,15	1,7465	0,9460				
54	327,15	0,15002	0,9862	118	391,15	1,8628	0,9445				

G-at_npsb_b-3c

FLOW RESISTANCE TABLE OF FLOW RESISTANCE IN BENDS, VALVES AND GATES

The flow resistance is calculated using the equivalent pipeline length method according to the table below:

ACCESSORY TYPE	DN											
	25	32	40	50	65	80	100	125	150	200	250	300
	Equivalent pipeline length (m)											
45° bend	0,2	0,2	0,4	0,4	0,6	0,6	0,9	1,1	1,5	1,9	2,4	2,8
90° bend	0,4	0,6	0,9	1,1	1,3	1,5	2,1	2,6	3,0	3,9	4,7	5,8
90° smooth bend	0,4	0,4	0,4	0,6	0,9	1,1	1,3	1,7	1,9	2,8	3,4	3,9
Union tee or cross	1,1	1,3	1,7	2,1	2,6	3,2	4,3	5,3	6,4	7,5	10,7	12,8
Gate	-	-	-	0,2	0,2	0,2	0,4	0,4	0,6	0,9	1,1	1,3
Non return valve	1,1	1,5	1,9	2,4	3,0	3,4	4,7	5,9	7,4	9,6	11,8	13,9

G-a-pcv-en_a_th

The table is valid for the Hazen Williams coefficient $C=100$ (cast iron pipework);

for steel pipework, multiply the values by 1,41;

for stainless steel, copper and coated cast iron pipework, multiply the values by 1,85;

When the **equivalent pipeline length** has been determined, the flow resistance is obtained from the table of flow resistance.

The values given are guideline values which are bound to vary slightly according to the model, especially for gate valves and non-return valves, for which it is a good idea to check the values supplied by manufacturers.

VOLUMETRIC CAPACITY

Litres per minute l/min	Cubic metres per hour m ³ /h	Cubic feet per hour ft ³ /h	Cubic feet per minute ft ³ /min	Imperial gallon per minute Imp. gal/min	U.S. gallon per minute US gal/min
1,000	0,0600	2,1189	0,0353	0,2200	0,2642
16,6667	1,0000	35,3147	0,5886	3,6662	4,4029
0,4719	0,0283	1,0000	0,0167	0,1038	0,1247
28,3168	1,6990	60,0000	1,0000	6,2288	7,4805
4,5461	0,2728	9,6326	0,1605	1,0000	1,2009
3,7854	0,2271	8,0208	0,1337	0,8327	1,0000

PRESSURE AND HEAD

Newton per square metre N/m ²	kilo Pascal kPa	bar bar	Pound force per square inch psi	Metre of water m H ₂ O	Millimetre of mercury mm Hg
1,0000	0,0010	1 x 10 ⁻⁵	1,45 x 10 ⁻⁴	1,02 x 10 ⁻⁴	0,0075
1 000,0000	1,0000	0,0100	0,1450	0,1020	7,5006
1 x 10 ⁵	100,0000	1,0000	14,5038	10,1972	750,0638
6 894,7570	6,8948	0,0689	1,0000	0,7031	51,7151
9 806,6500	9,8067	0,0981	1,4223	1,0000	73,5561
133,3220	0,1333	0,0013	0,0193	0,0136	1,0000

LENGTH

Millimetre mm	Centimetre cm	Metre m	Inch in	Foot ft	Yard yd
1,0000	0,1000	0,0010	0,0394	0,0033	0,0011
10,0000	1,0000	0,0100	0,3937	0,0328	0,0109
1 000,0000	100,0000	1,0000	39,3701	3,2808	1,0936
25,4000	2,5400	0,0254	1,0000	0,0833	0,0278
304,8000	30,4800	0,3048	12,0000	1,0000	0,3333
914,4000	91,4400	0,9144	36,0000	3,0000	1,0000

VOLUME

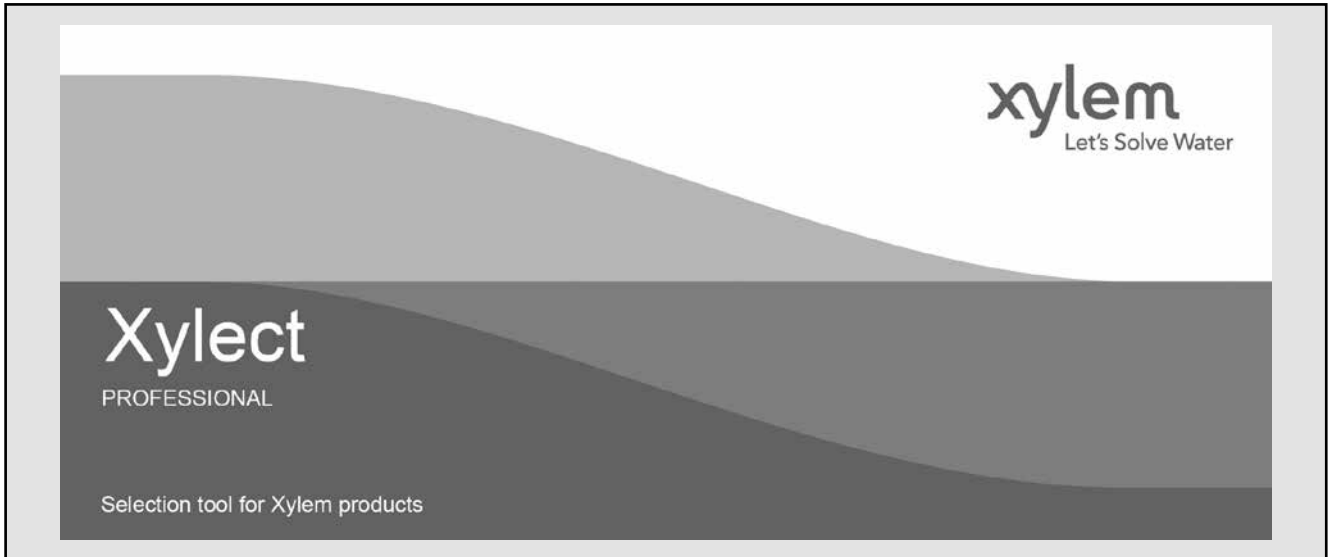
Cubic metre m ³	Litre L	Millilitre ml	Imperial gallon imp. gal.	U.S. gallon US gal.	Cubic foot ft ³
1,0000	1 000,0000	1 x 10 ⁶	219,9694	264,1720	35,3147
0,0010	1,0000	1 000,0000	0,2200	0,2642	0,0353
1 x 10 ⁻⁶	0,0010	1,0000	2,2 x 10 ⁻⁴	2,642 x 10 ⁻⁴	3,53 x 10 ⁻⁵
0,0045	4,5461	4 546,0870	1,0000	1,2009	0,1605
0,0038	3,7854	3 785,4120	0,8327	1,0000	0,1337
0,0283	28,3168	28 316,8466	6,2288	7,4805	1,0000

TEMPERATURE

Water	Kelvin K	Celsius °C	Fahrenheit °F	$^{\circ}\text{F} = ^{\circ}\text{C} \times \frac{9}{5} + 32$ $^{\circ}\text{C} = (^{\circ}\text{F} - 32) \times \frac{5}{9}$
icing	273,1500	0,0000	32,0000	
boiling	373,1500	100,0000	212,0000	

G-at_pp-en_b_sc

**FURTHER PRODUCT SELECTION
AND DOCUMENTATION**
Xylect™



Xylect™ is pump solution selection software with an extensive online database of product information across the entire Lowara, and Vogel range of pumps and related products, with multiple search options and helpful project management facilities. The system holds up-to-date product information on thousands of products and accessories.

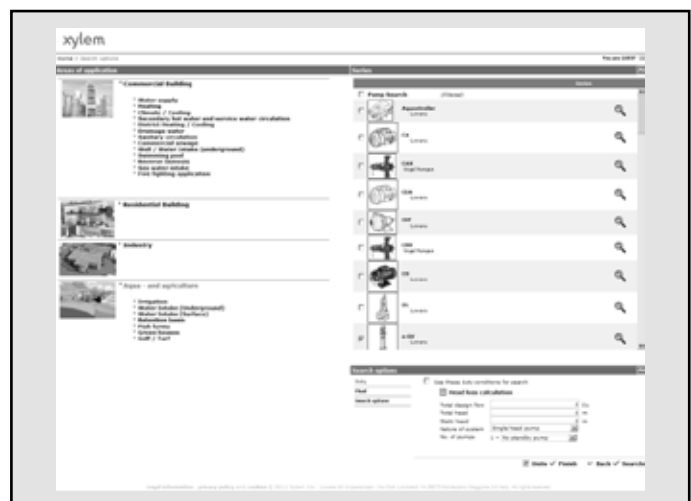
The possibility to search by applications and the detailed information output given makes it easy to make the optimal selection without having detailed knowledge about the Lowara and Vogel products.

The search can be made by:

- Application
- Product type
- Duty point

Xylect™ gives a detailed output:

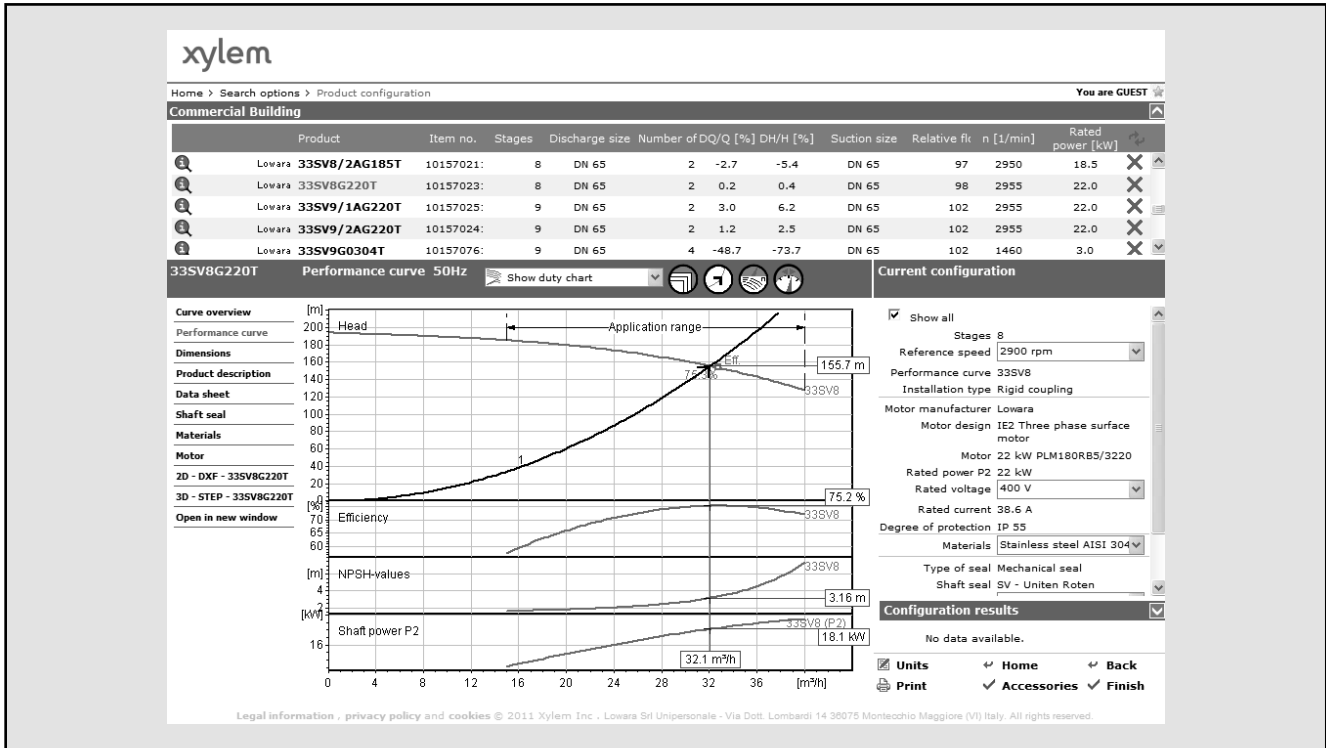
- List with search results
- Performance curves (flow, head, power, efficiency, NPSH)
- Motor data
- Dimensional drawings
- Options
- Data sheet printouts
- Document downloads incl dxf files



The search by application guides users not familiar with the product range to the right choice.

FURTHER PRODUCT SELECTION AND DOCUMENTATION

Xylect™



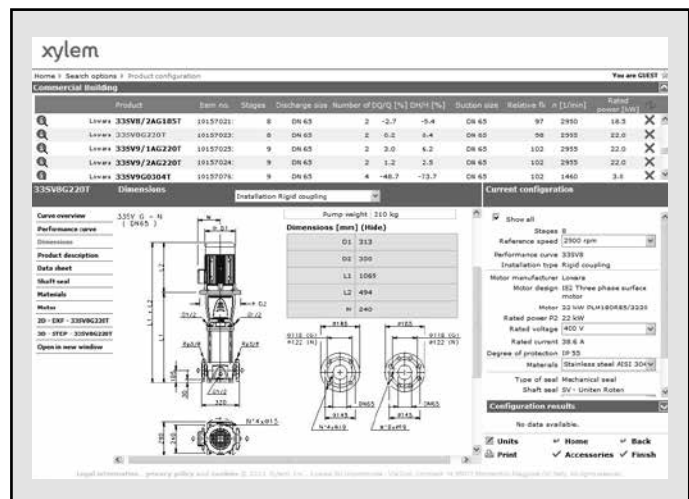
The detailed output makes it easy to select the optimal pump from the given alternatives.

The best way to work with Xylect™ is to create a personal account. This makes it possible to:

- Set own standard units
- Create and save projects
- Share projects with other Xylect™ users

Every user has a My Xylect space, where all projects are saved.

For more information about Xylect™ please contact our sales network or visit www.xylect.com.



Dimensional drawings appear on the screen and can be downloaded in dxf format.

Xylem |'zīləm|

- 1) The tissue in plants that brings water upward from the roots;
- 2) a leading global water technology company.

We're approximately 12,500 people unified in a common purpose: creating innovative solutions to meet our world's water needs. Developing new technologies that will improve the way water is used, conserved, and re-used in the future is central to our work. We move, treat, analyze, and return water to the environment, and we help people use water efficiently, in their homes, buildings, factories and farms. In more than 150 countries, we have strong, long-standing relationships with customers who know us for our powerful combination of leading product brands and applications expertise, backed by a legacy of innovation.

For more information on how Xylem can help you, go to xylem.com.



Legal head office
Xylem Water Solutions Italia Srl

Via Gioacchino Rossini 1/A
20020 - Lainate (MI) - Italy
Tel. (+39) 02 90358.1
Fax (+39) 02 9019990
www.xylemwatersolutions.com

For information and technical support
Xylem Service Italia Srl

Via Dottor Vittorio Lombardi 14
36075 - Montecchio Maggiore (VI) - Italy
Tel. (+39) 0444 707111
Fax (+39) 0444 491043
www.lowara.com

Xylem Water Solutions Italia Srl reserves the right to make modification without prior notice.
Lowara, Xylem are trademarks of Xylem Inc. or one of its subsidiaries
© 2015 Xylem, Inc.